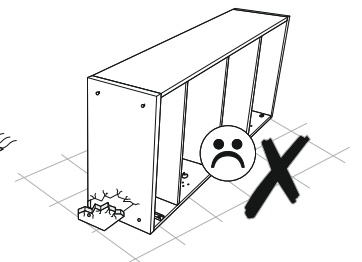
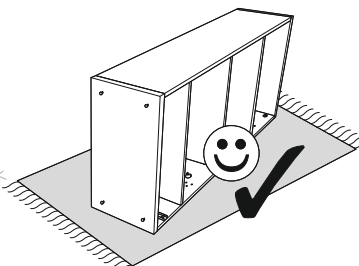
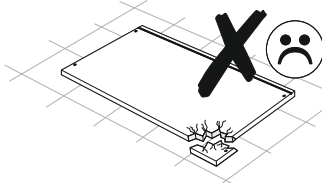
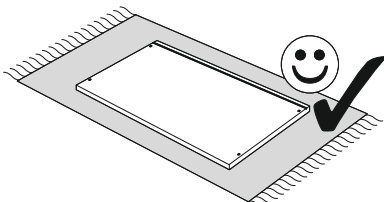
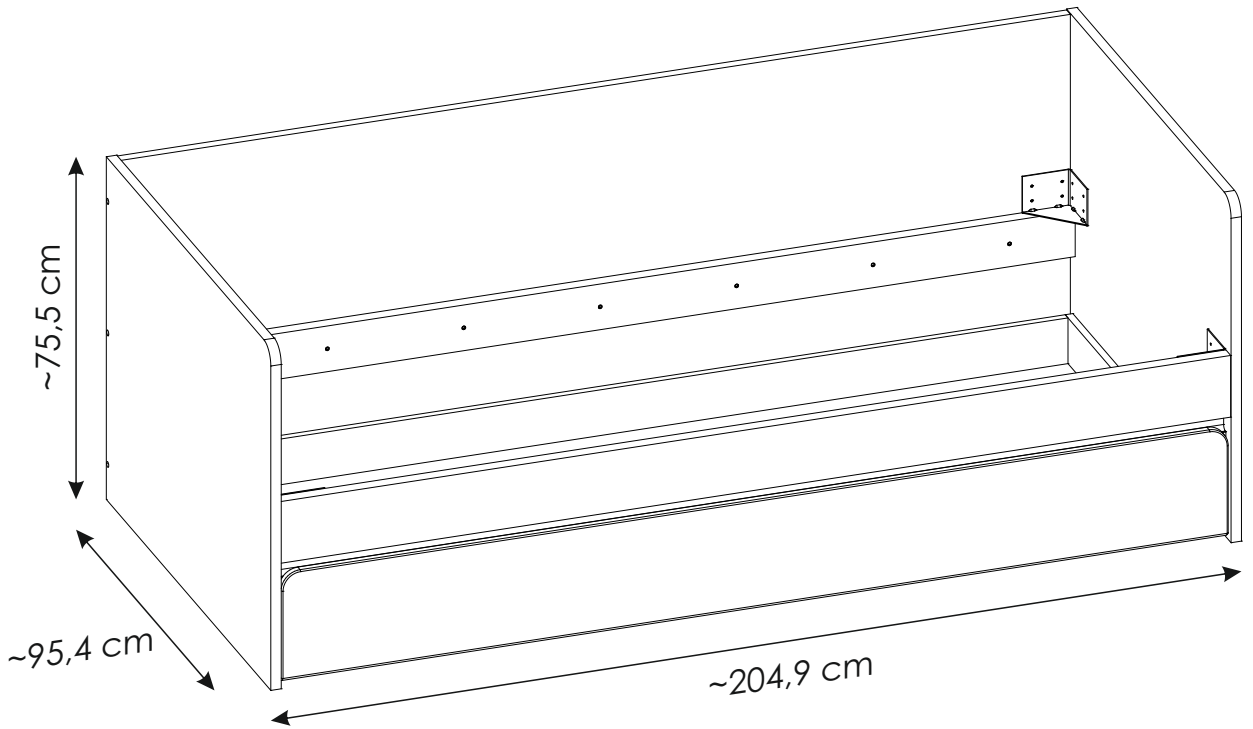
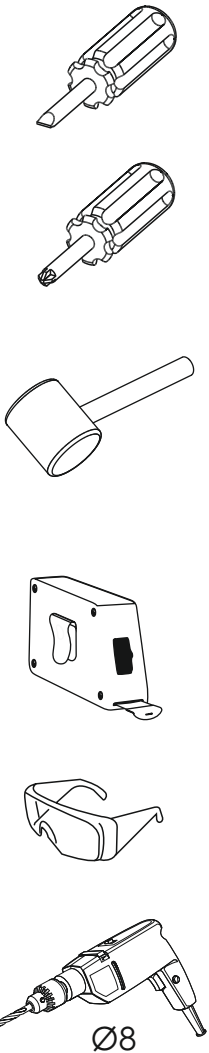
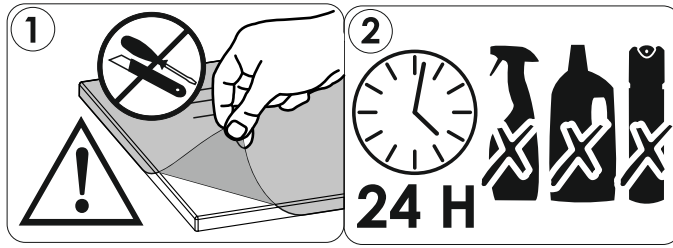
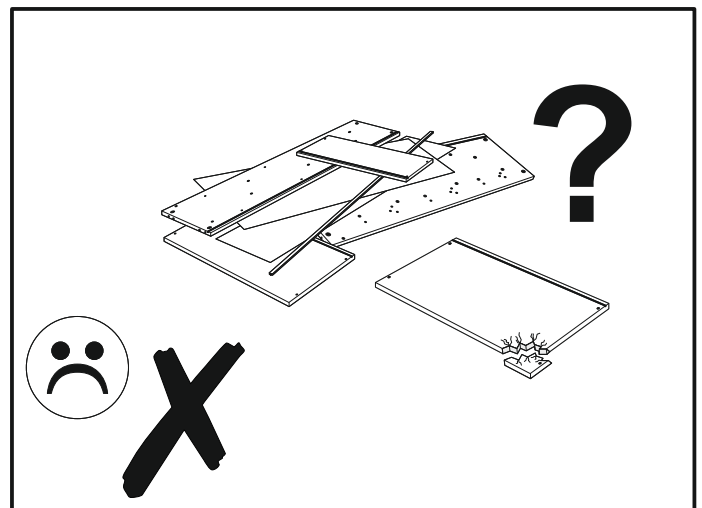
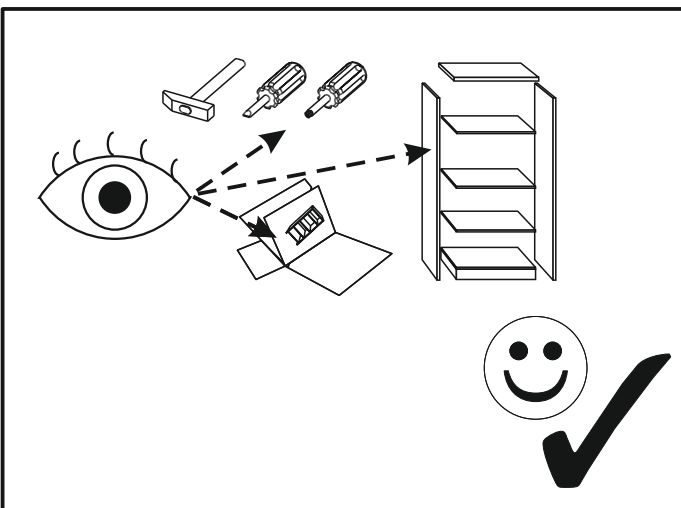
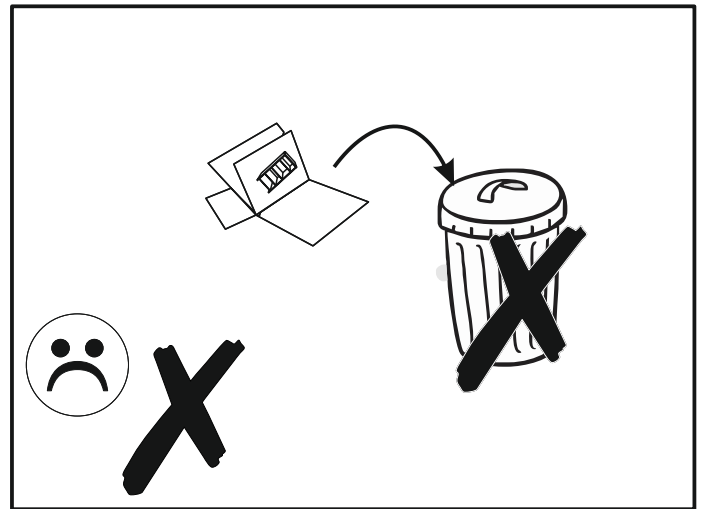
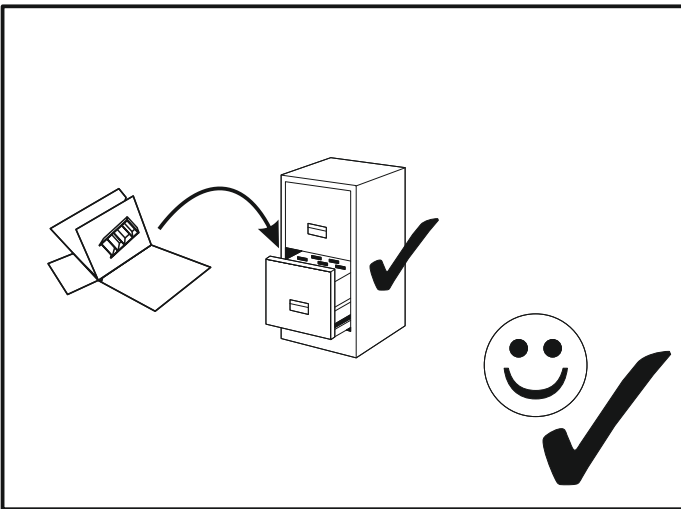
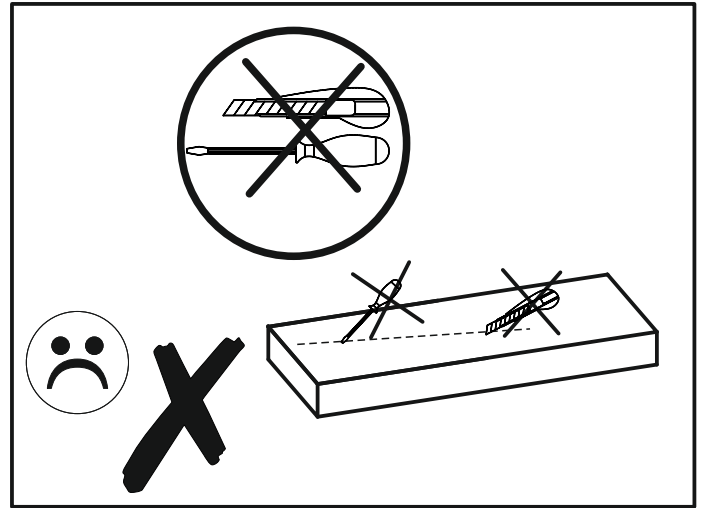
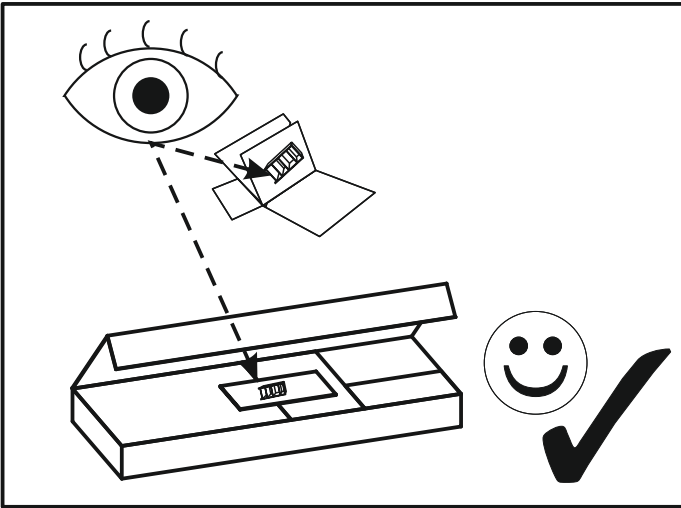


FLXZ01

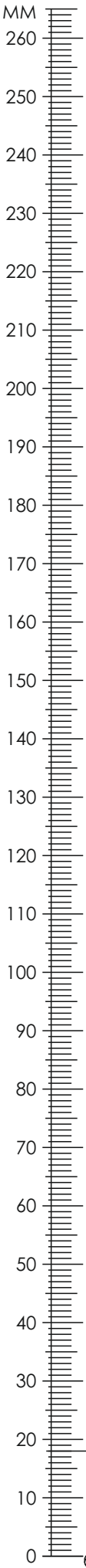



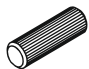


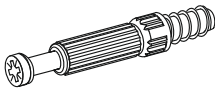
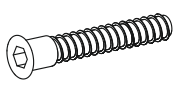

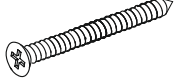
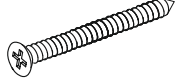
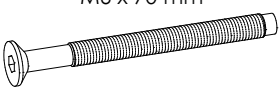
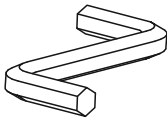
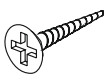
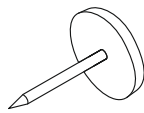
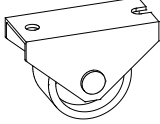
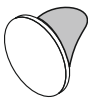
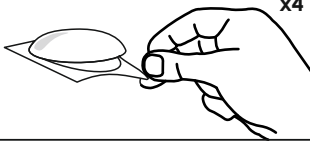

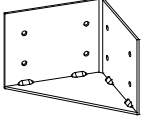
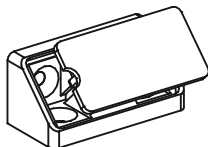
70 min



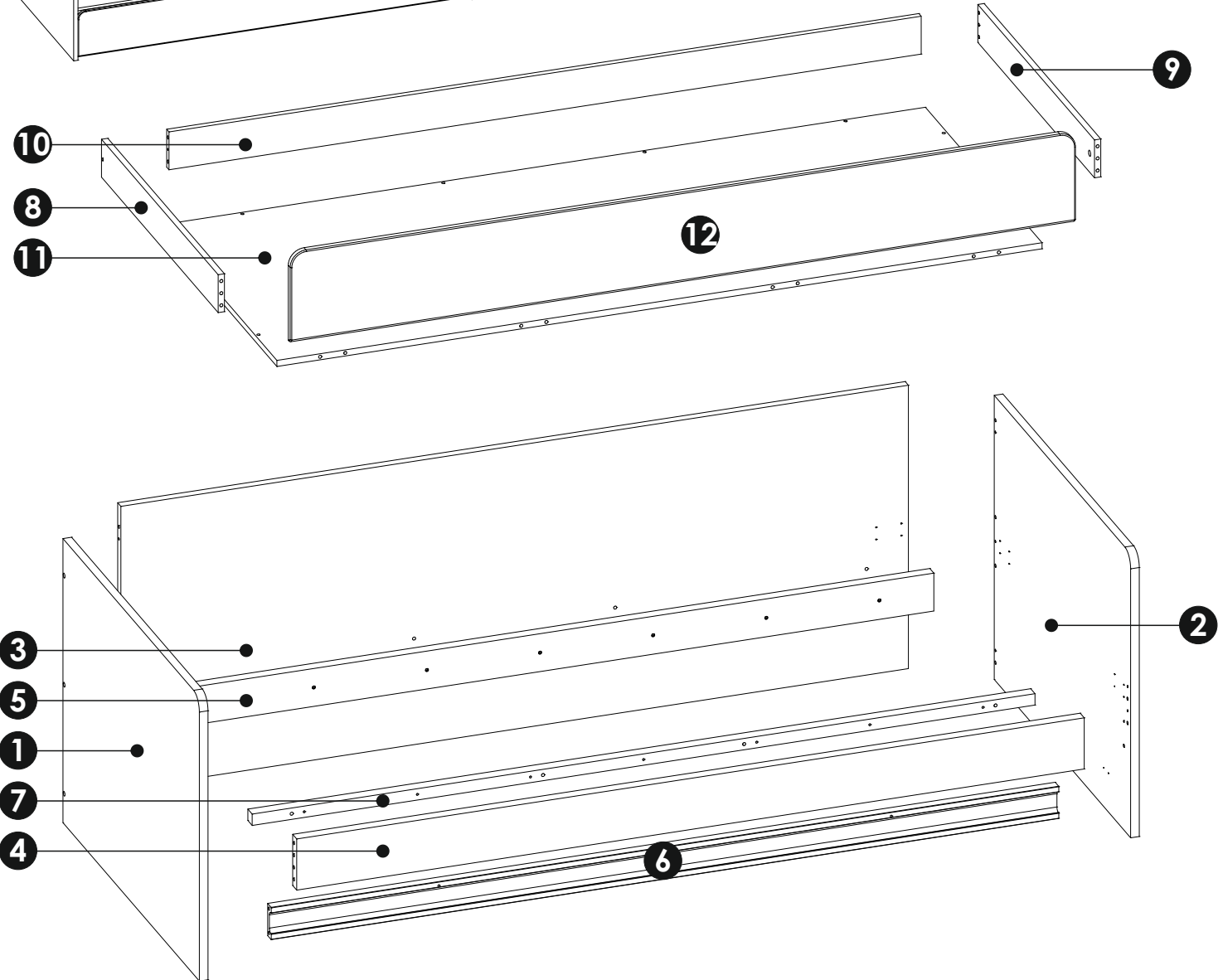
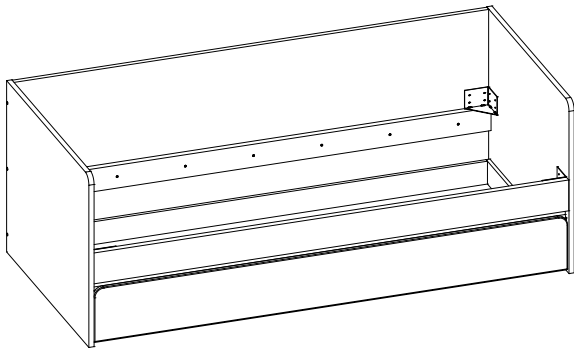


FLXZ01



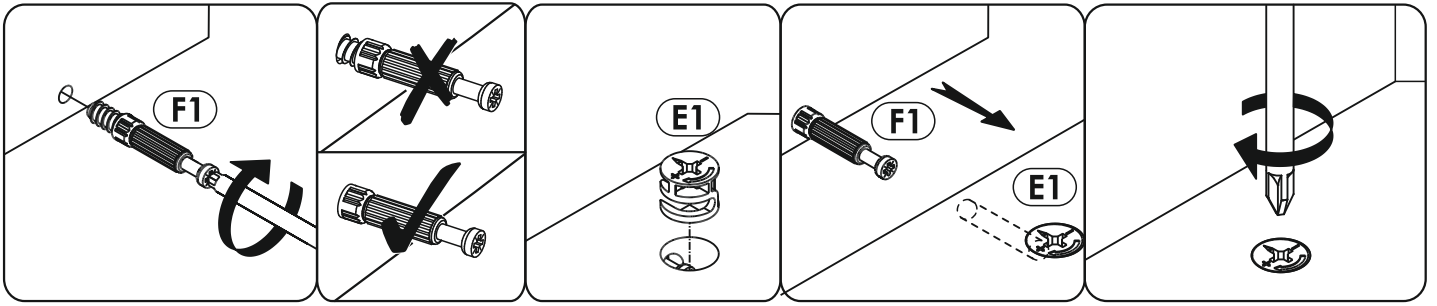
A0 8 x 24 mm x8 	A1 8 x 35 mm x26 	C2 5 x 13 mm x32 
E1 15 x 12 mm x12 	F1 6 x 34 mm x12 	G1 7 x 50 mm x12 
I0 3 x 13 mm x20 	J11 4 x 50 mm x7 	J12 4 x 45 mm x10 
K9 M6 x 70 mm x6 	M x1 	N2 3,5 X 16 mm x8 
O2 x9 	O5 x10 	P16 x6 
R8 x4 	SM x6 	W x4 
W5 x2 		

FLXZ01

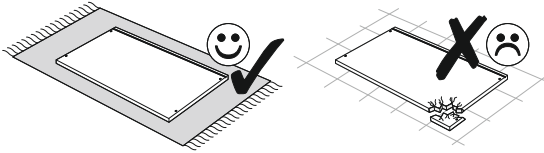


1	954	750	22	x1	2/4
2	954	750	22	x1	2/4
3	2005	748	22	x1	3/4
4	2005	135	28	x1	1/4
5	2005	100	28	x1	1/4
6	2005	85	25	x1	1/4

7	1993	30	30	x1	1/4
8	816	100	16	x1	1/4
9	816	100	16	x1	1/4
10	1915	100	16	x1	4/4
11	1948	816	16	x1	4/4
12	1999	235	16	x1	4/4



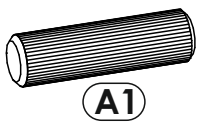
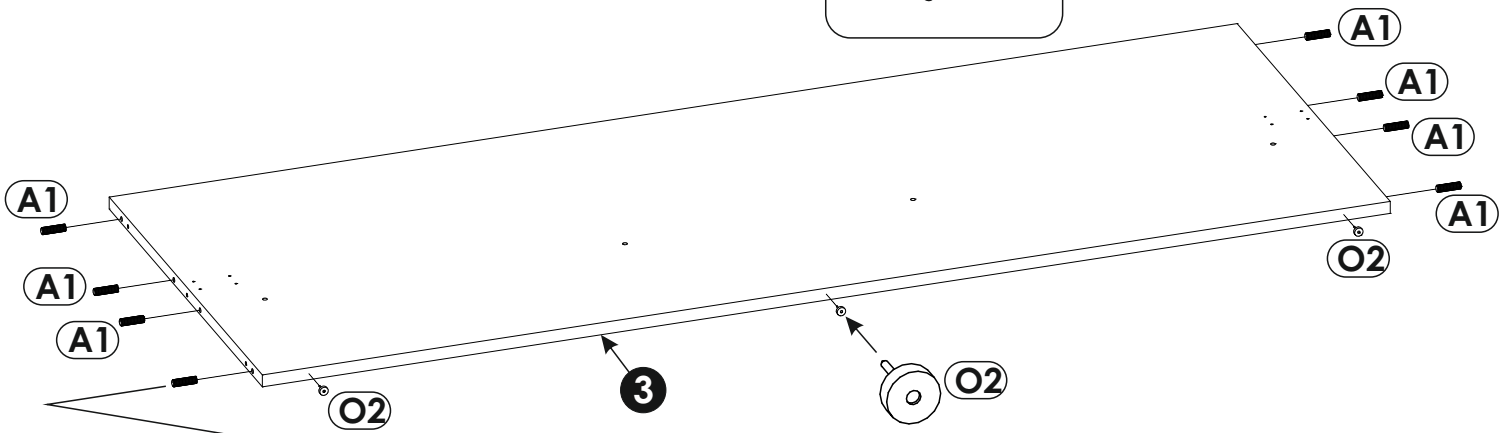
1 ▶



A0 8 x 24 mm x8



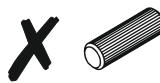
A1 8 x 35 mm x26



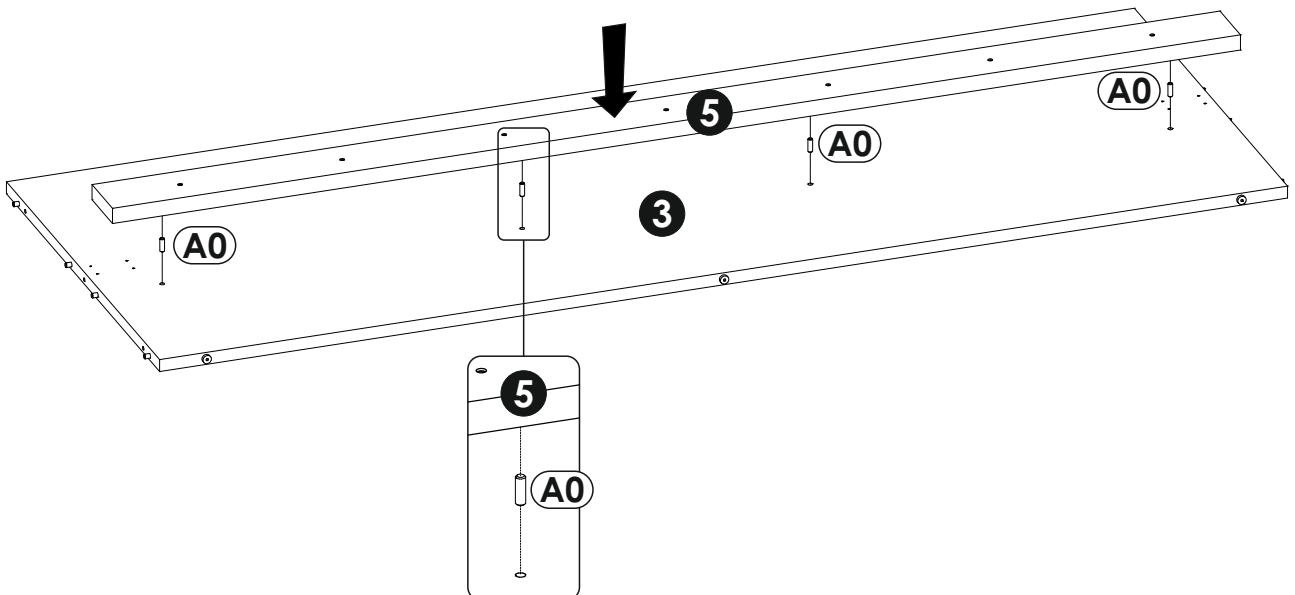
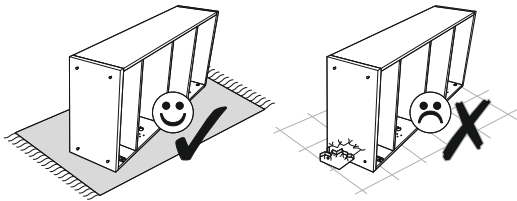
A0 8 x 24 mm x8

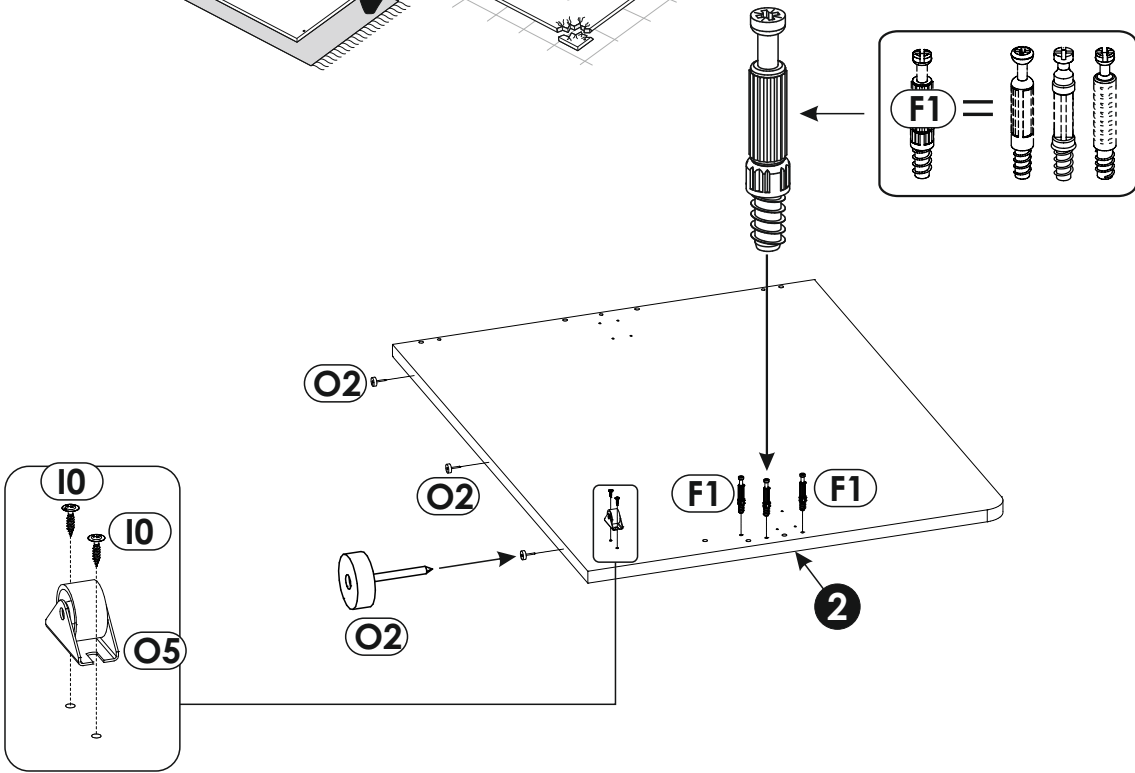
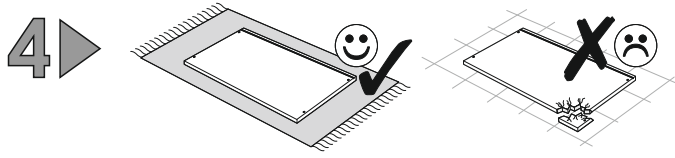
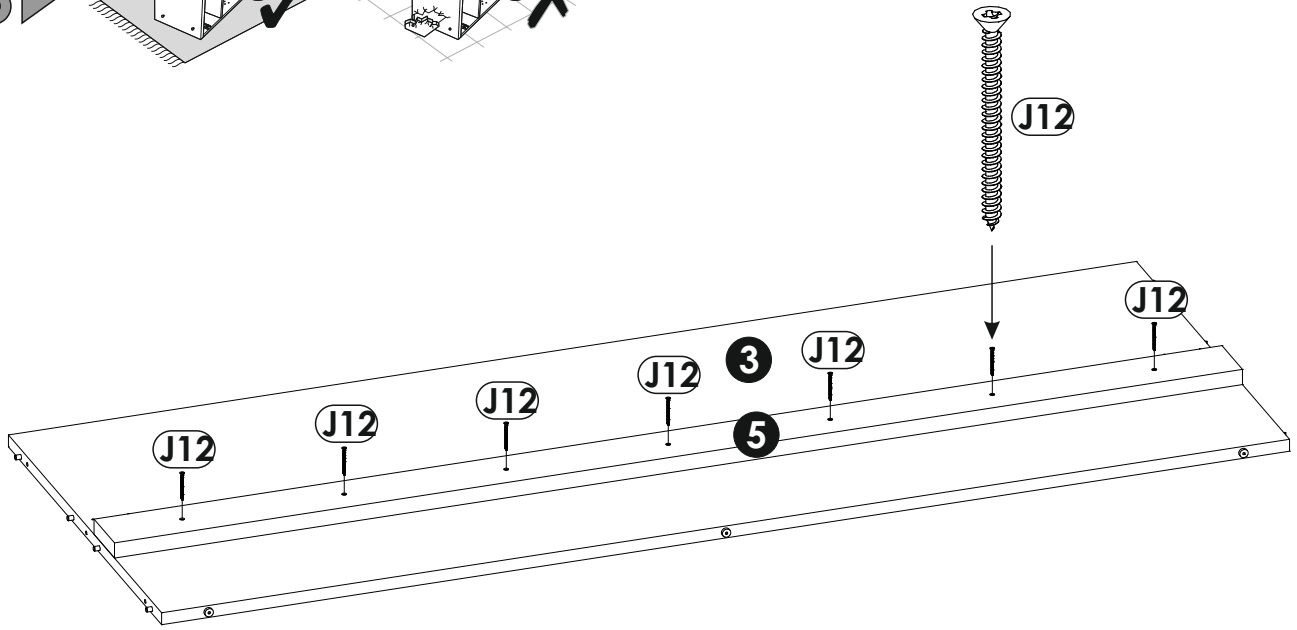
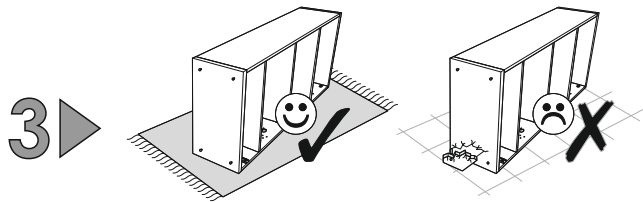


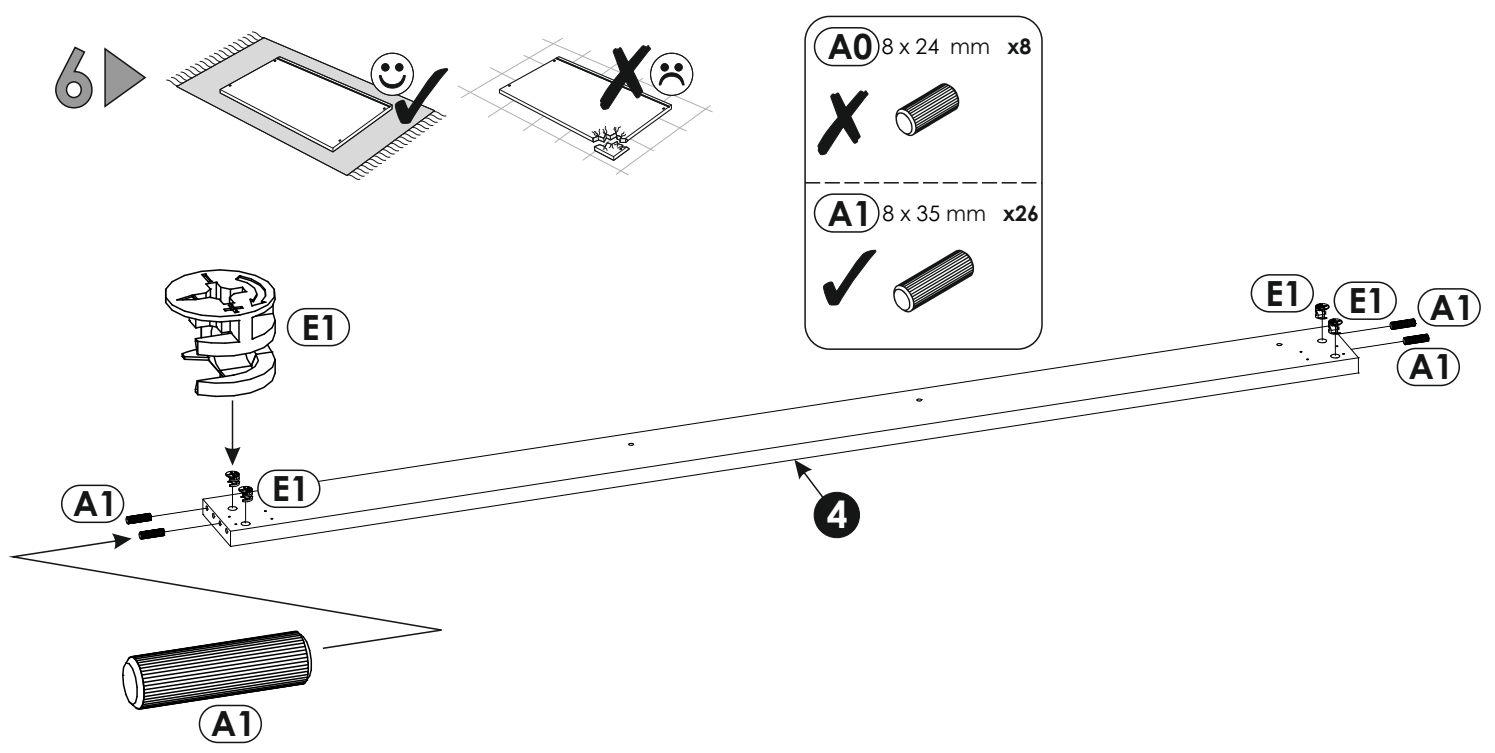
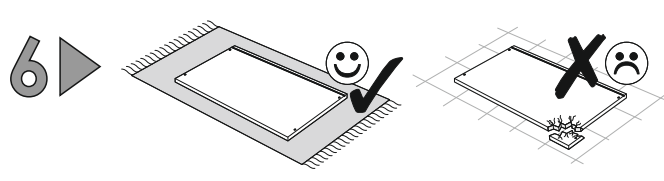
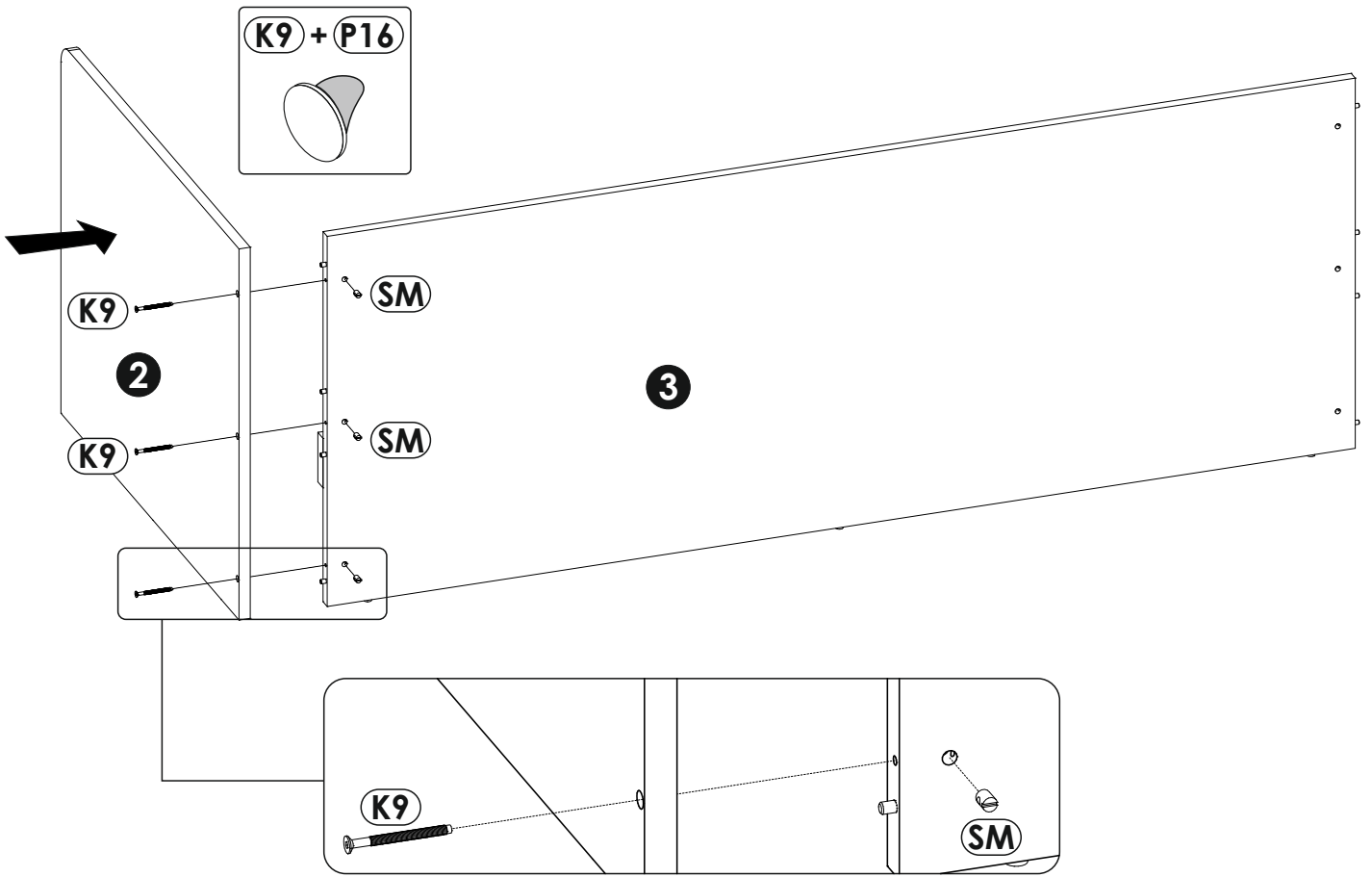
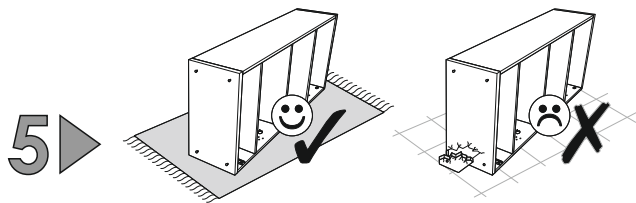
A1 8 x 35 mm x26

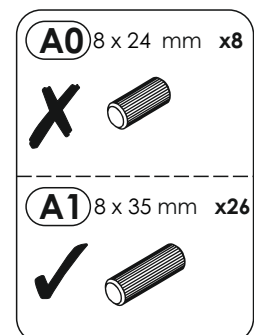
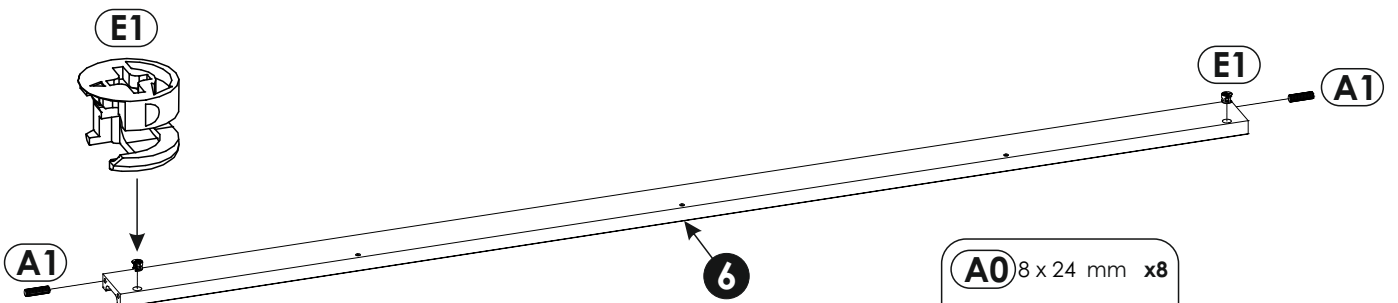
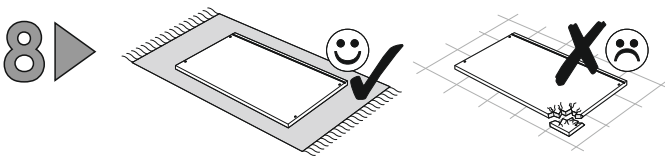
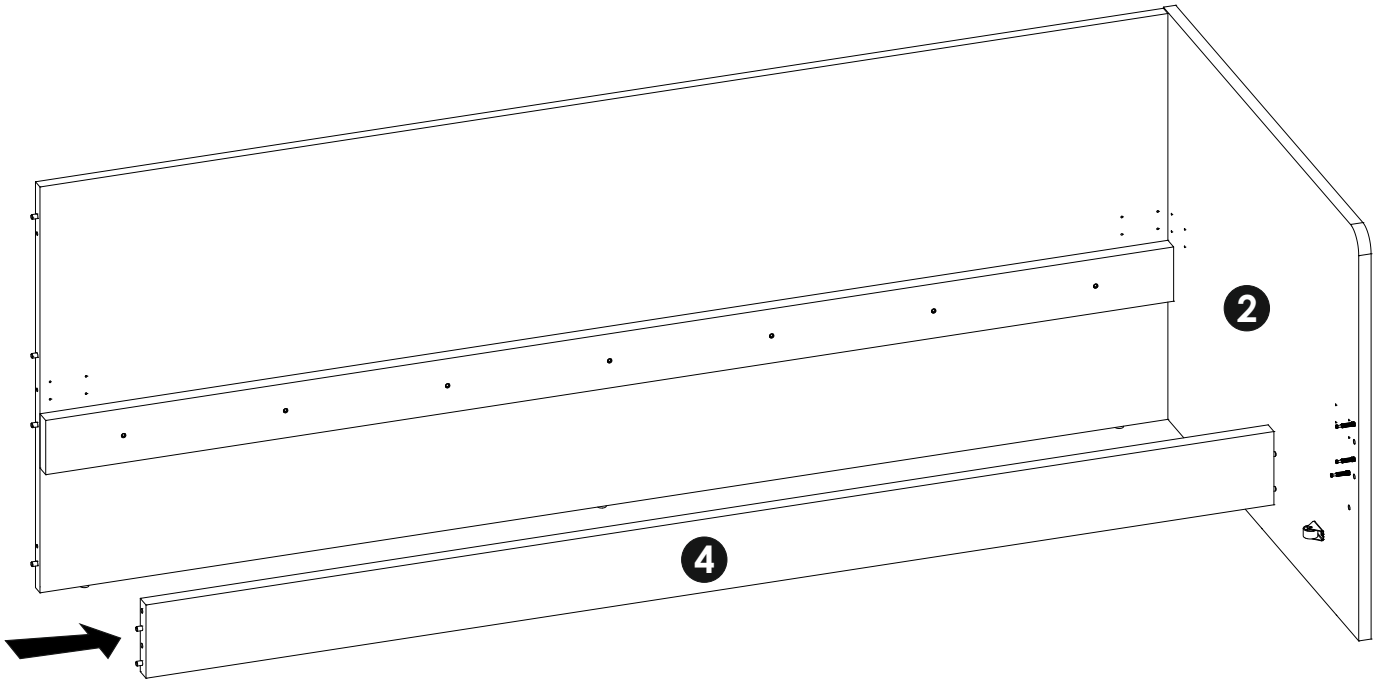
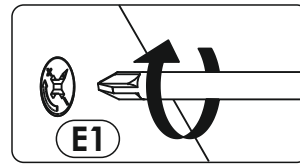
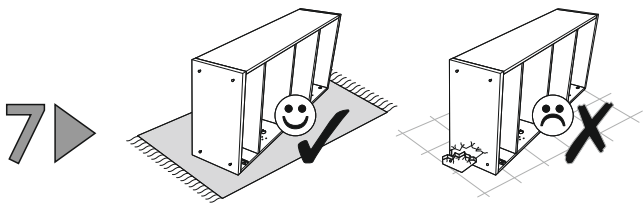


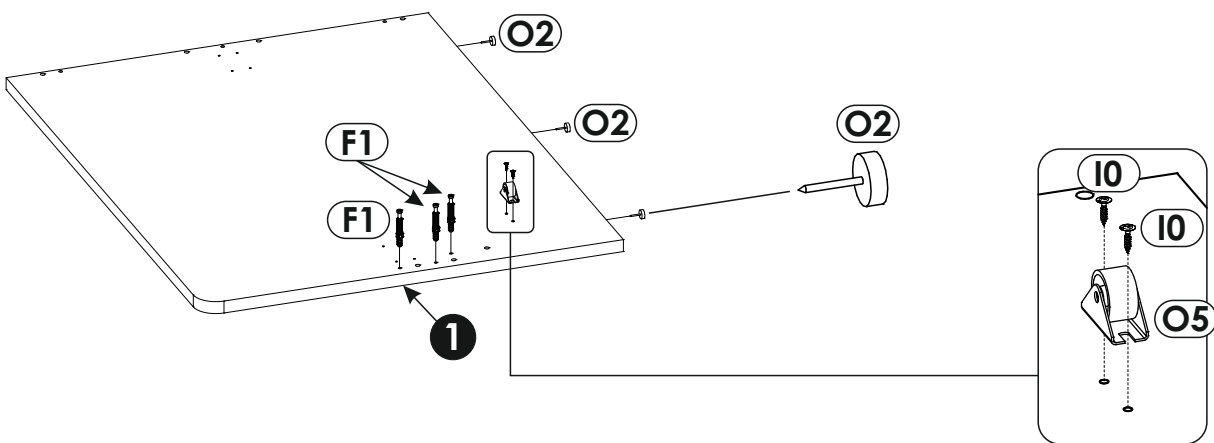
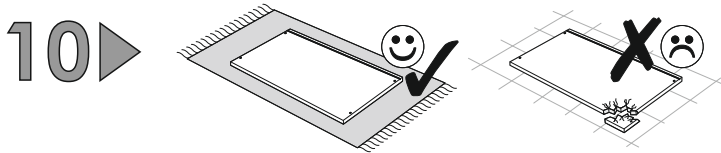
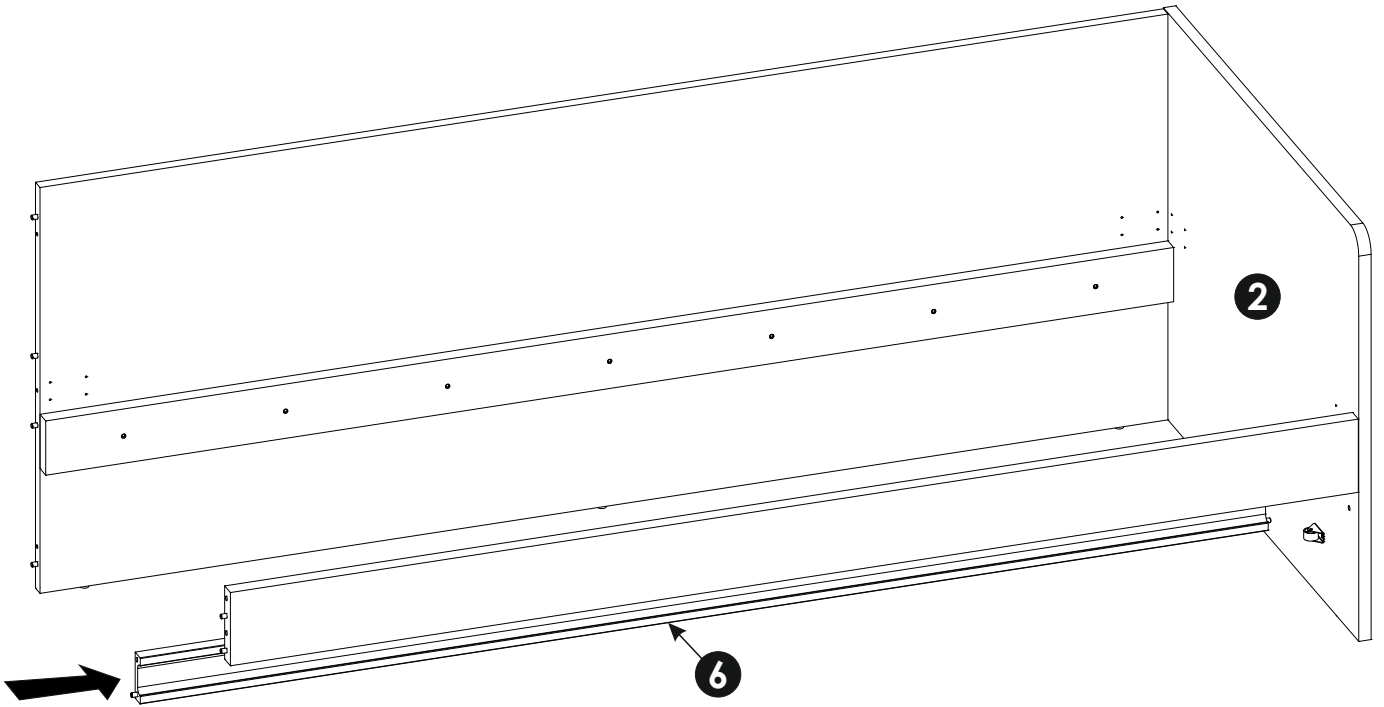
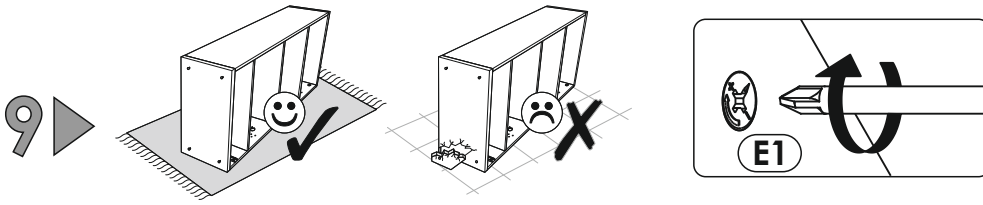
2 ▶

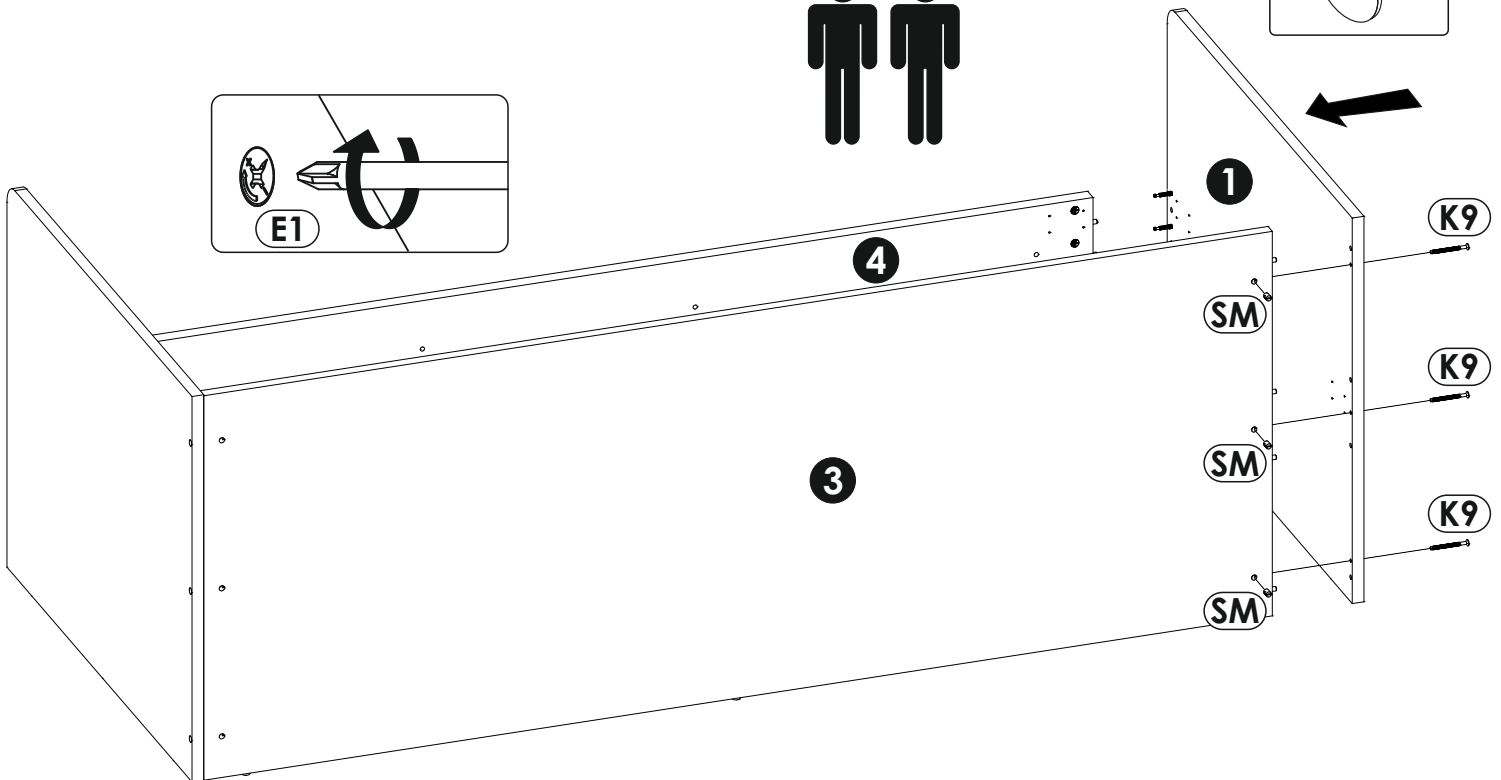
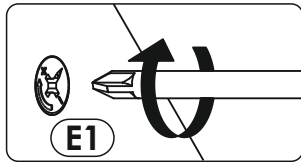
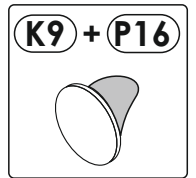
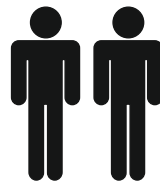
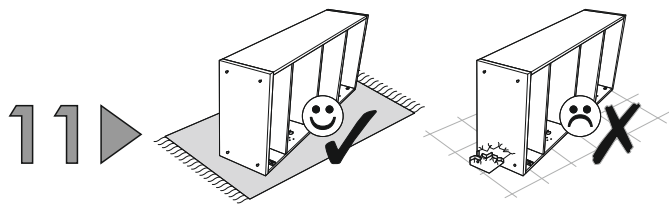




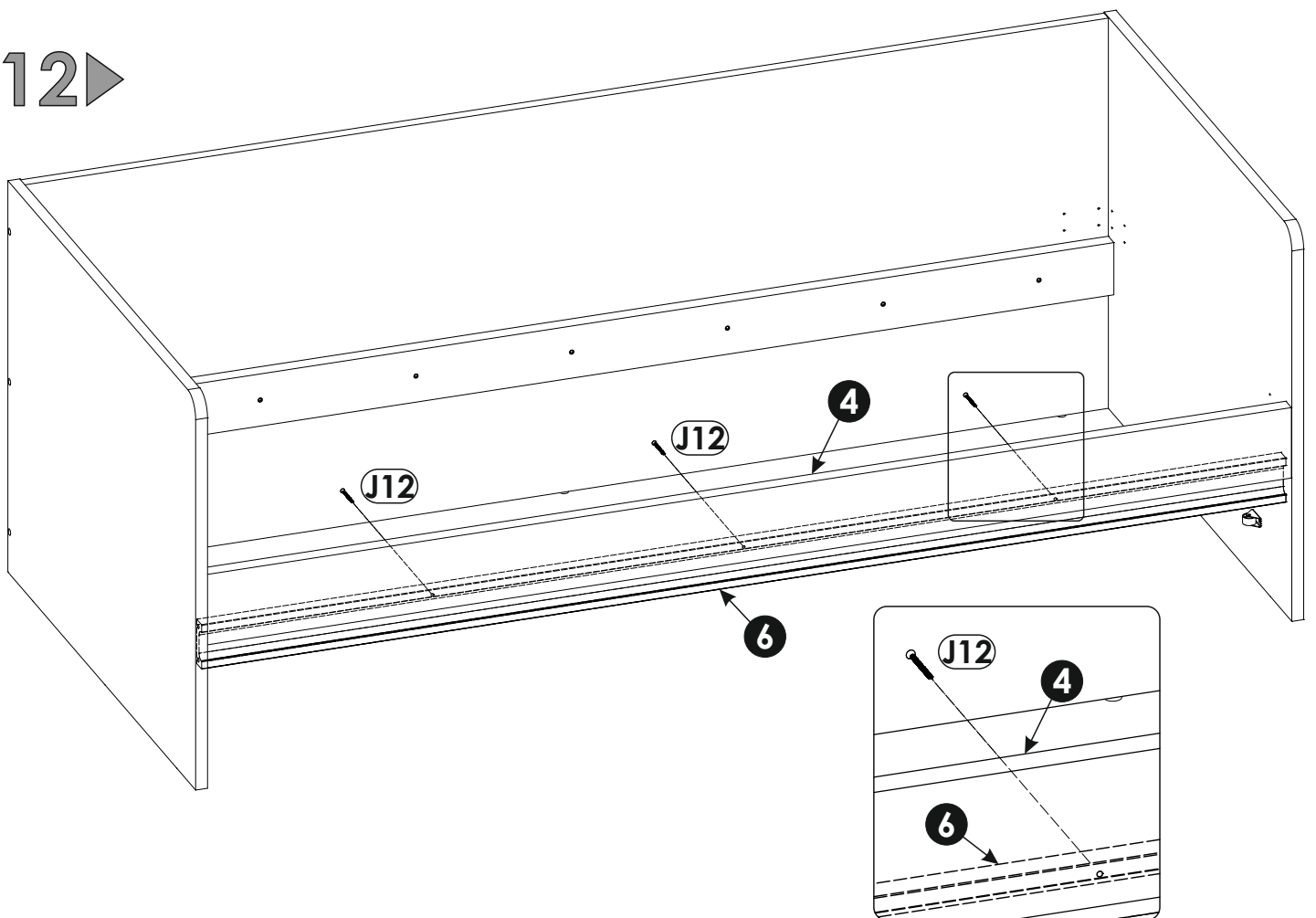





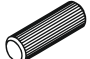


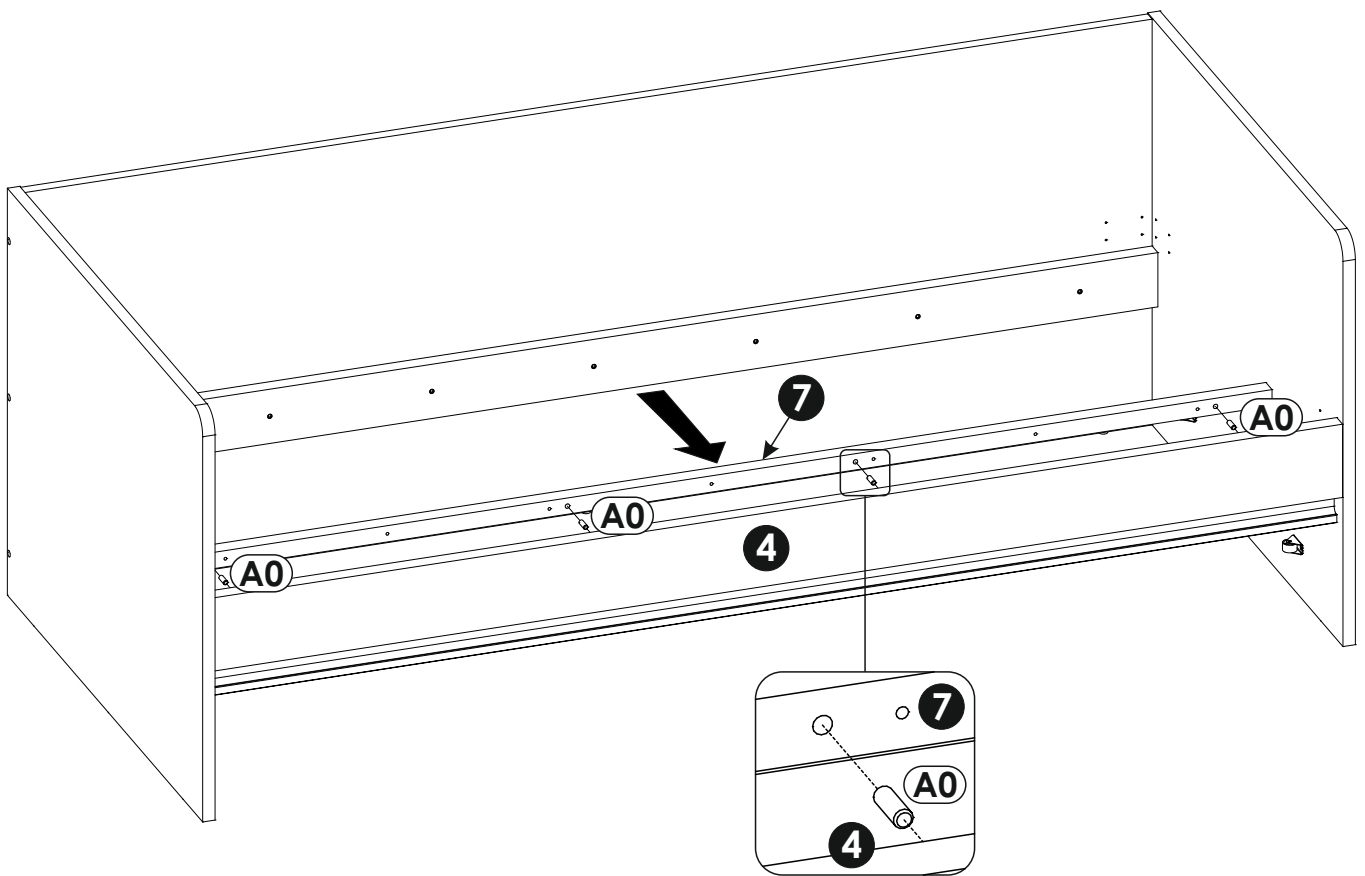


12 ▶

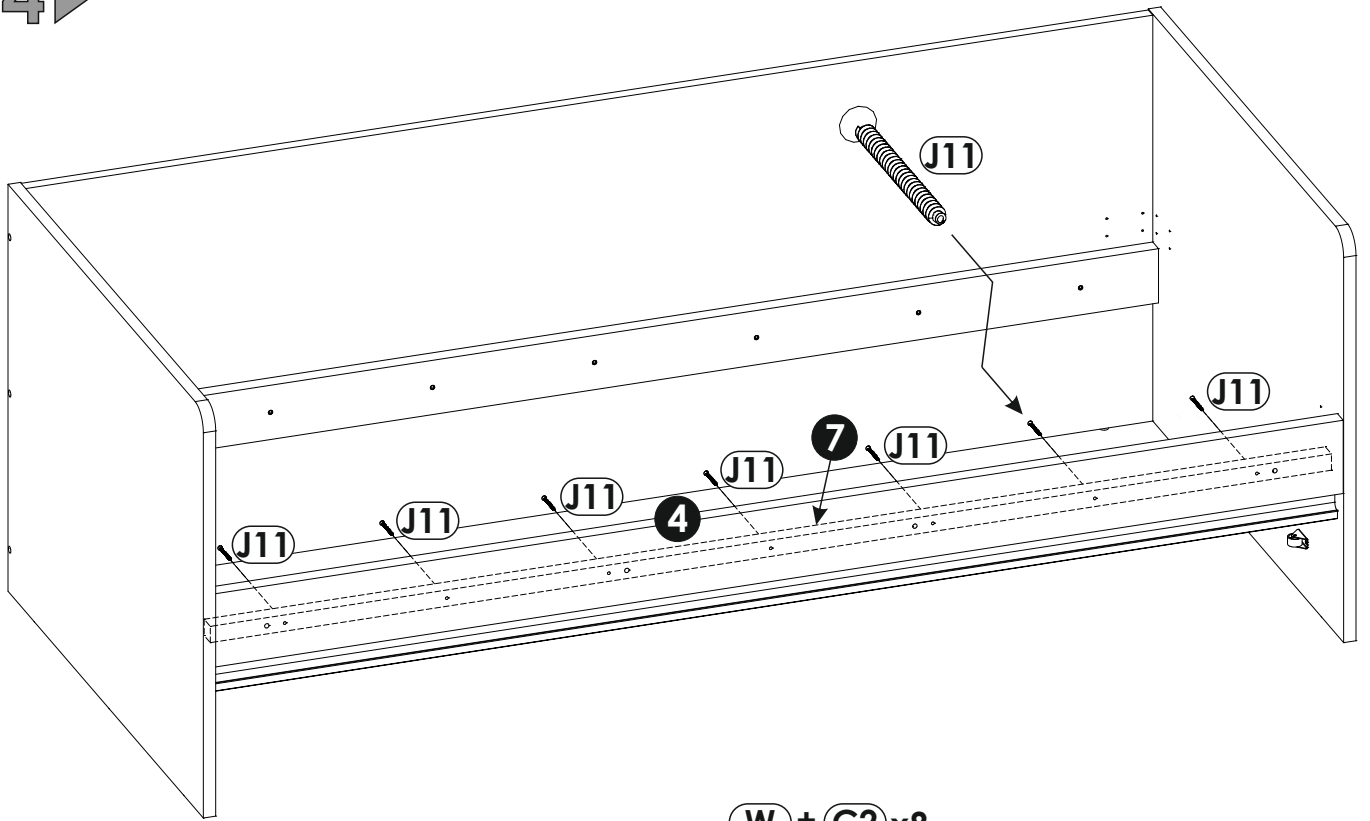


13▶

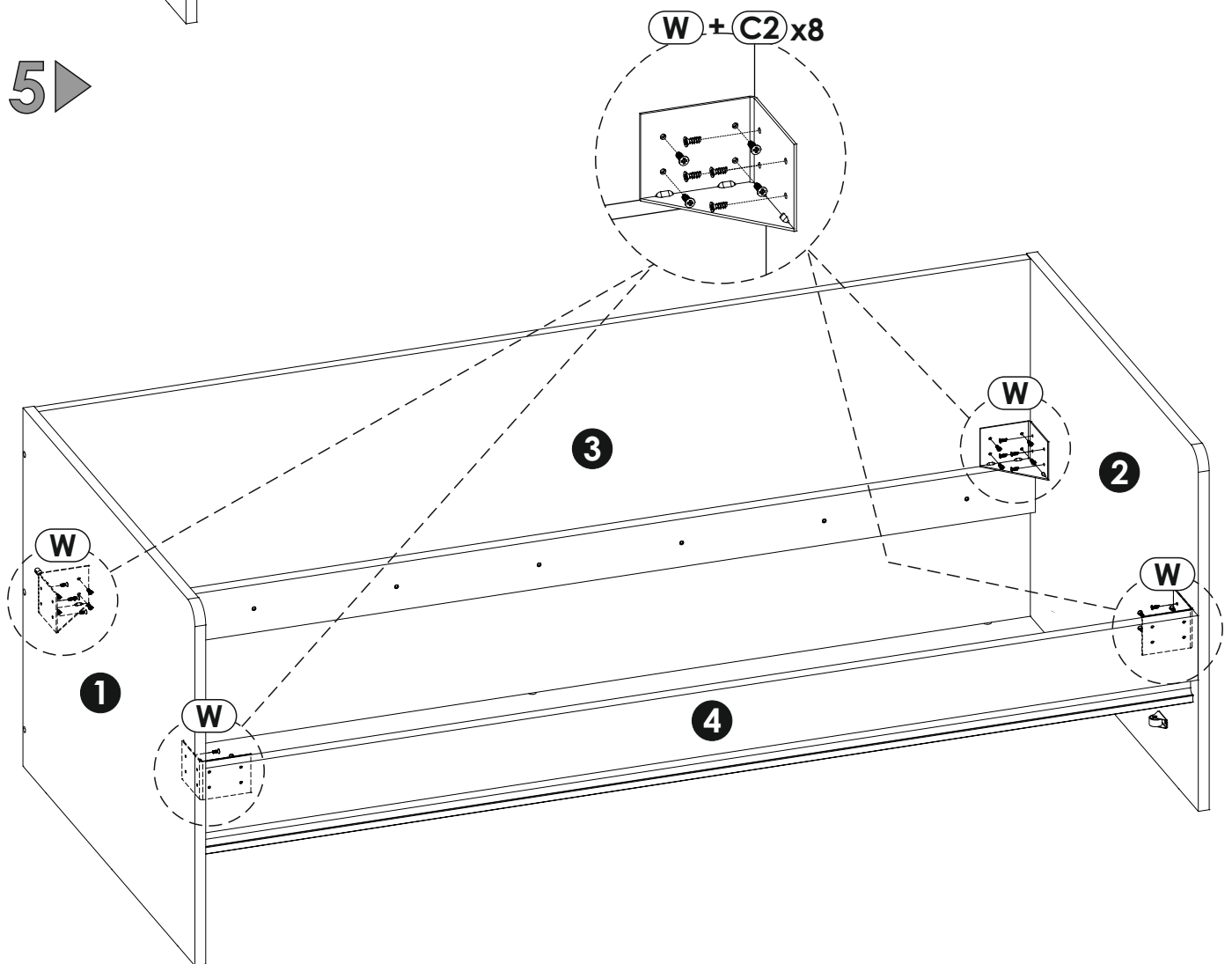
A0	8 x 24 mm x8
✓	
<hr/>	
A1	8 x 35 mm x26
✗	



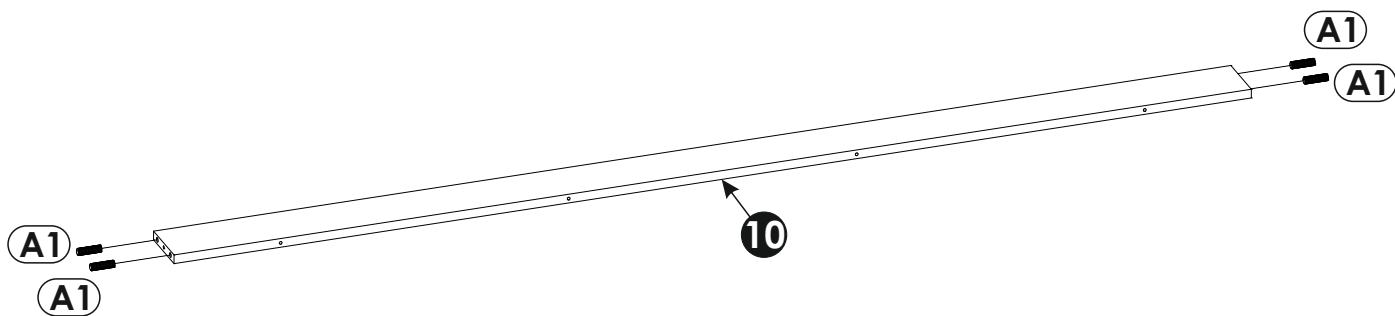
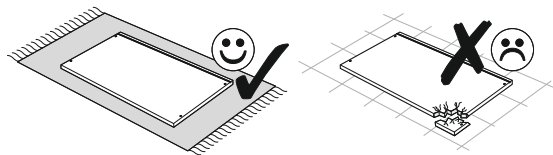
14▶



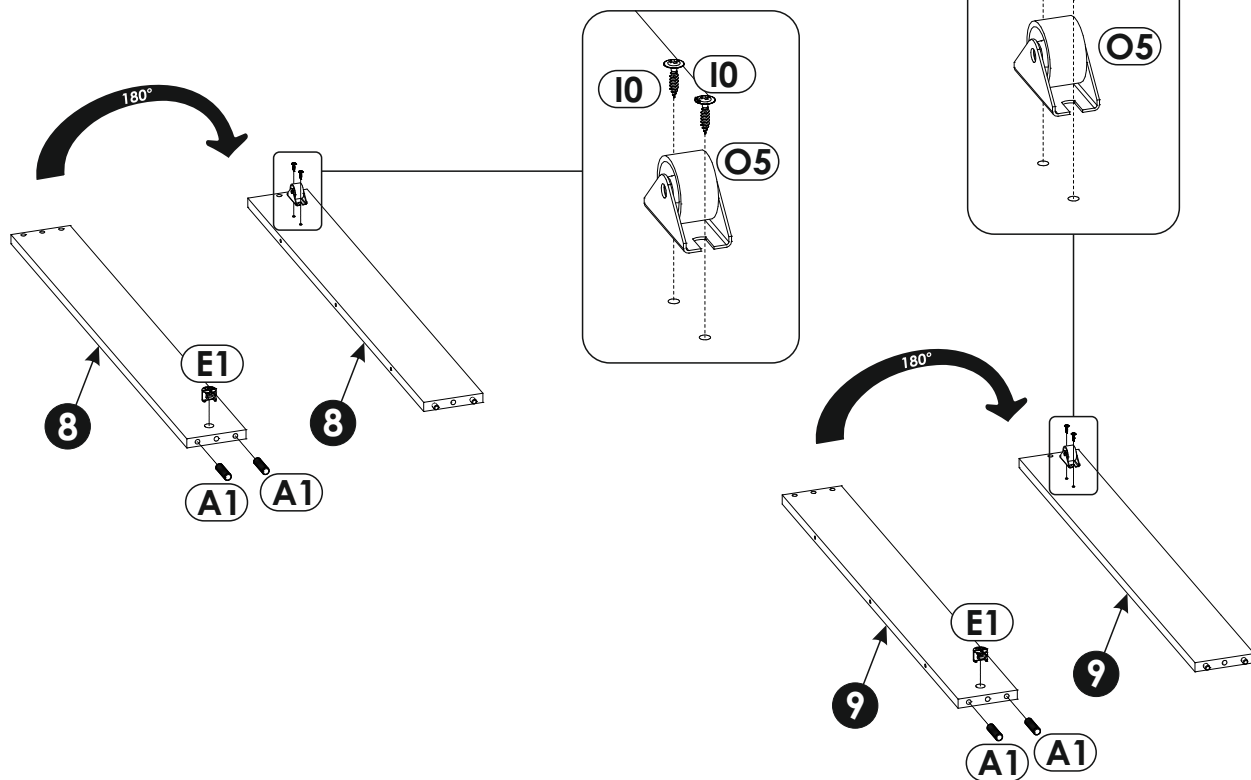
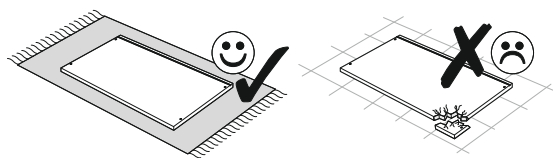
15▶



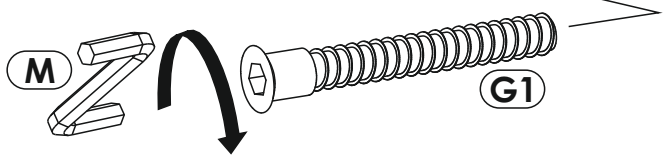
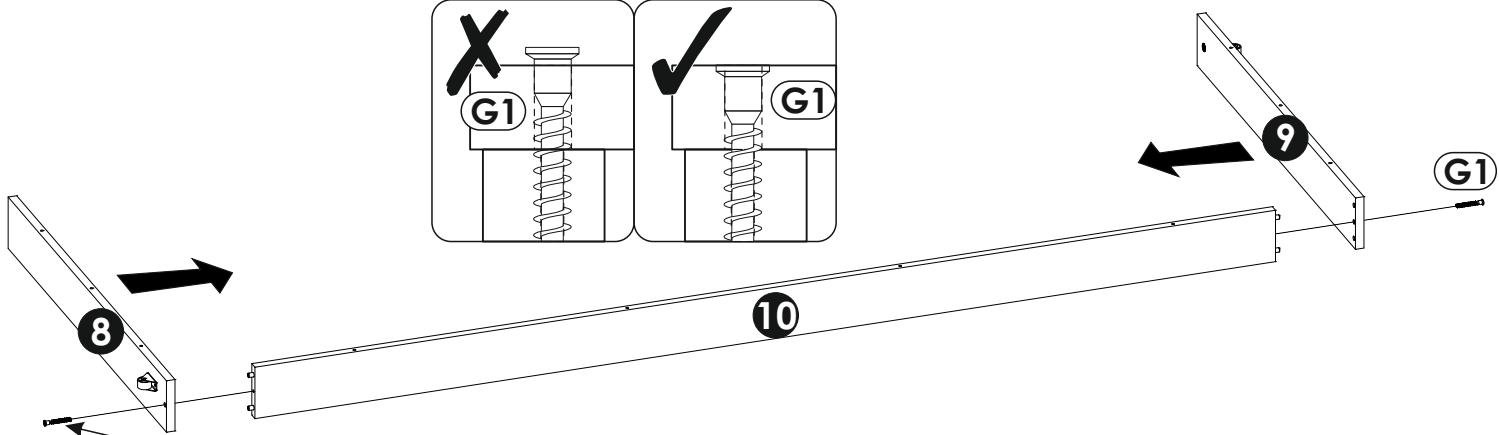
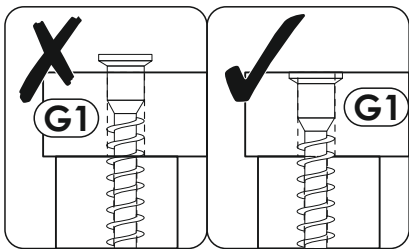
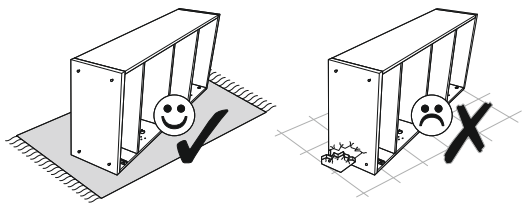
16 ▶



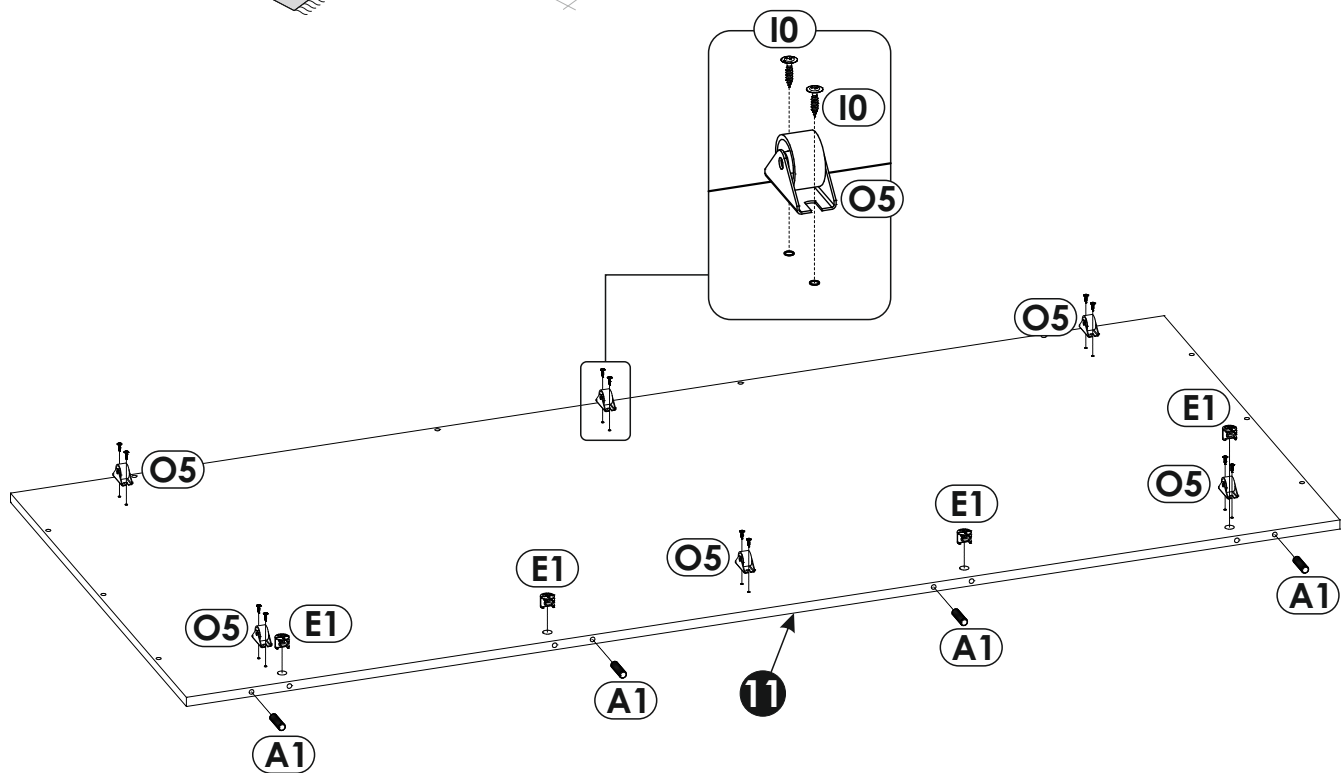
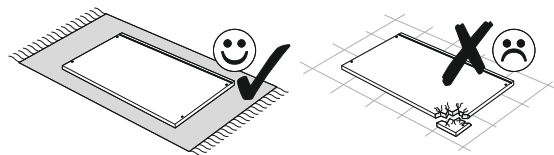
17 ▶



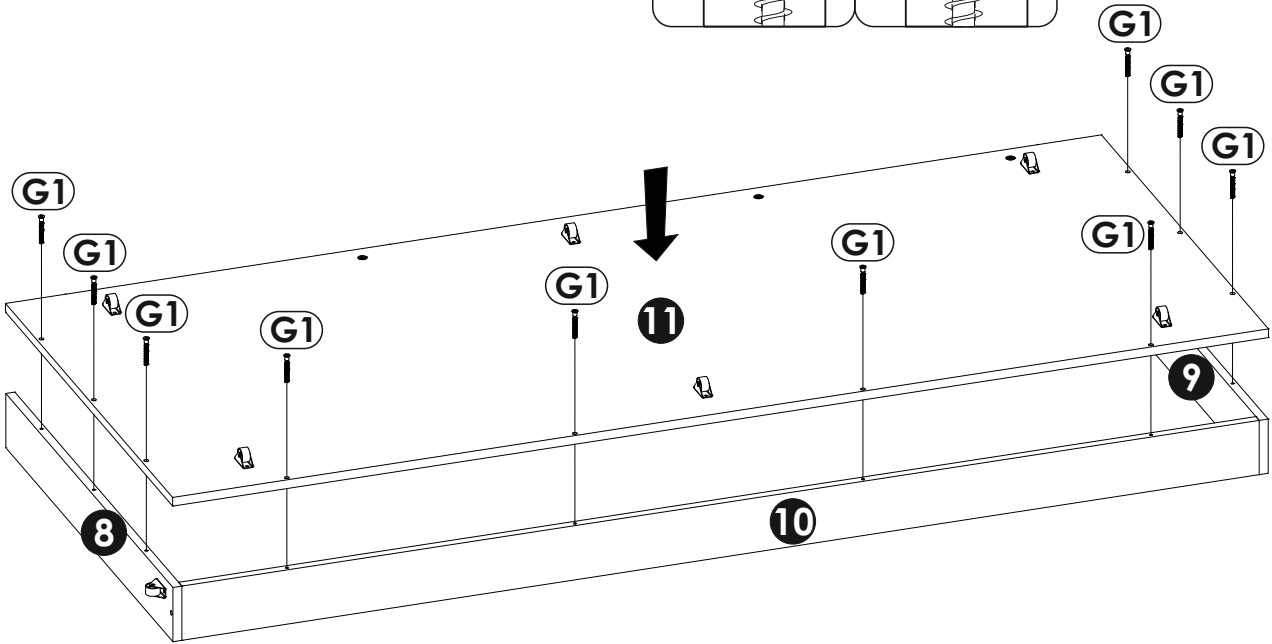
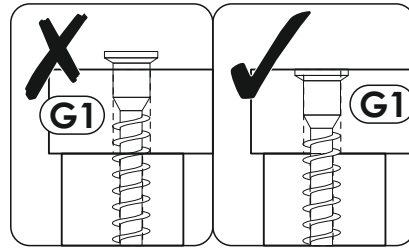
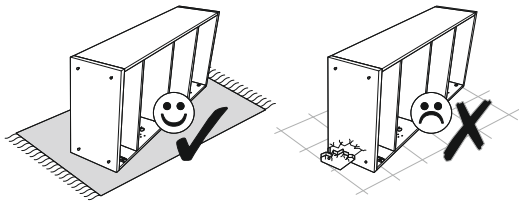
18 ▶



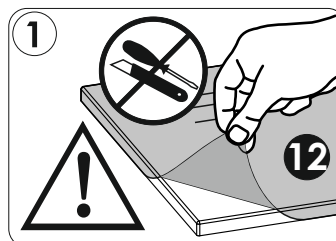
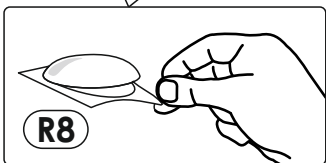
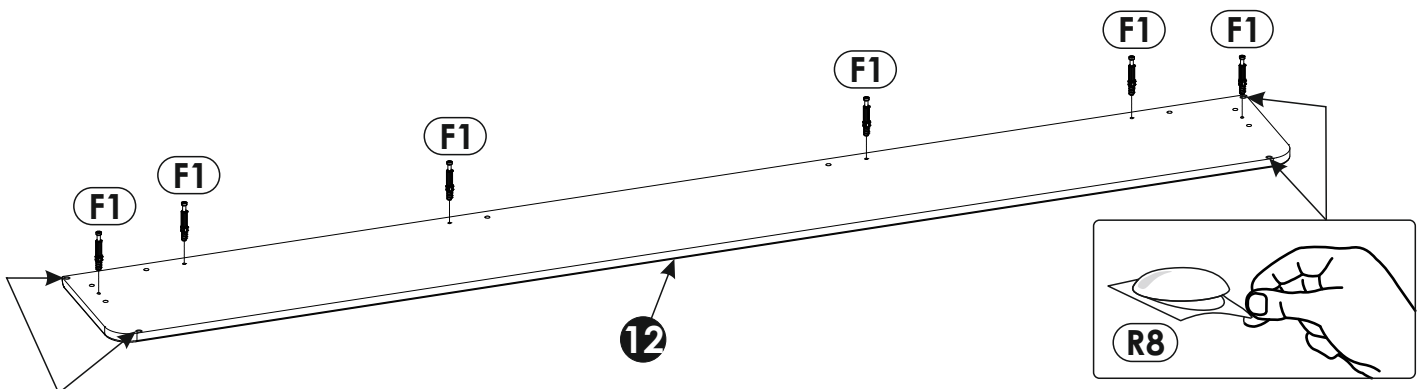
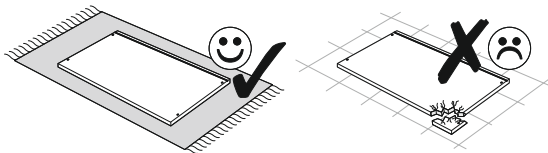
19 ▶



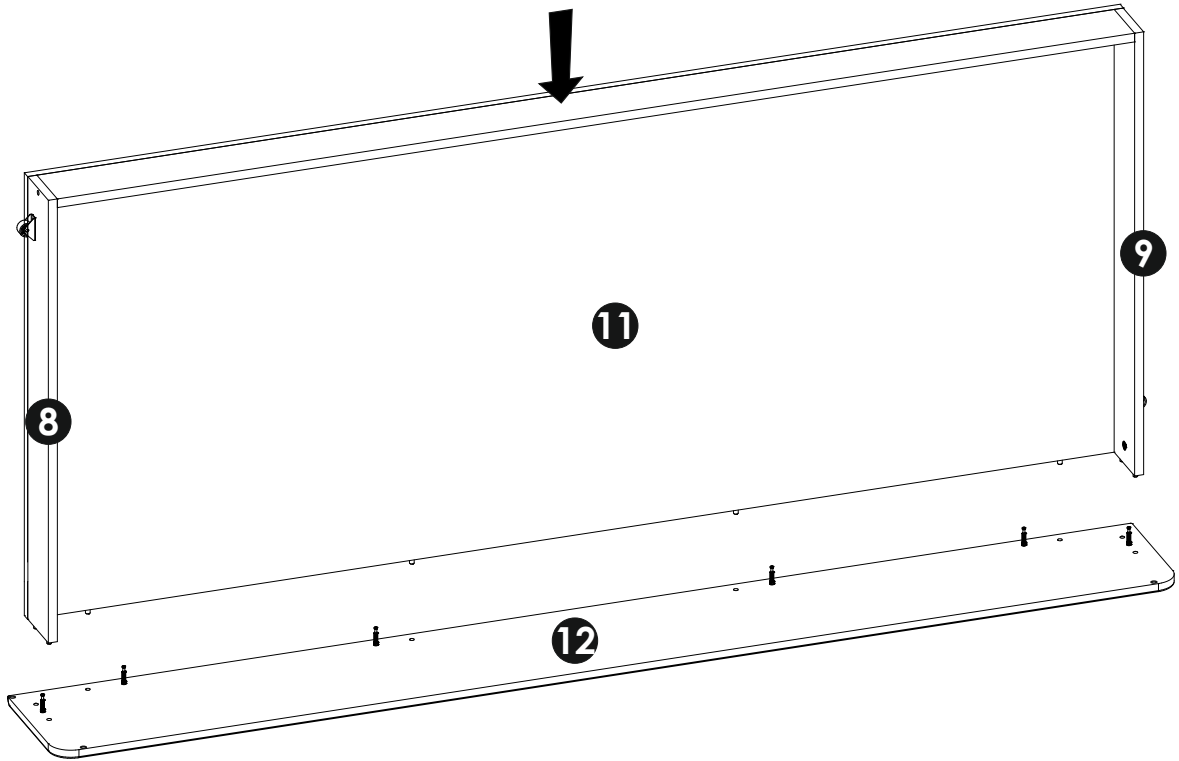
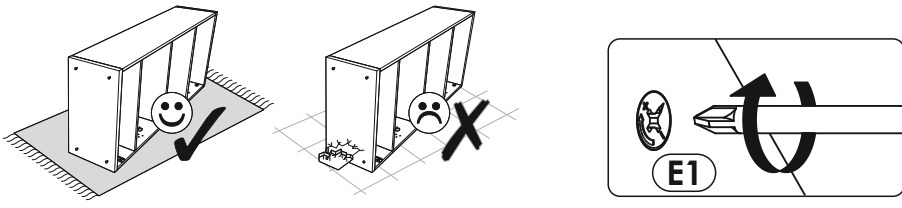
20 ▶



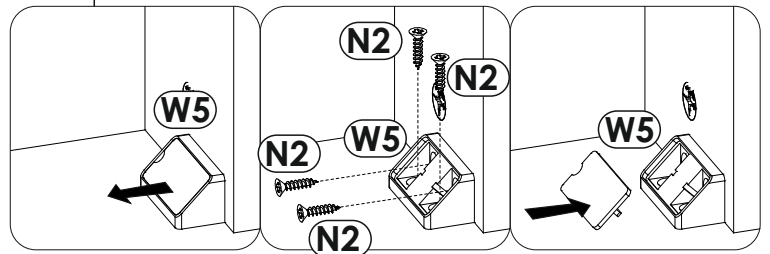
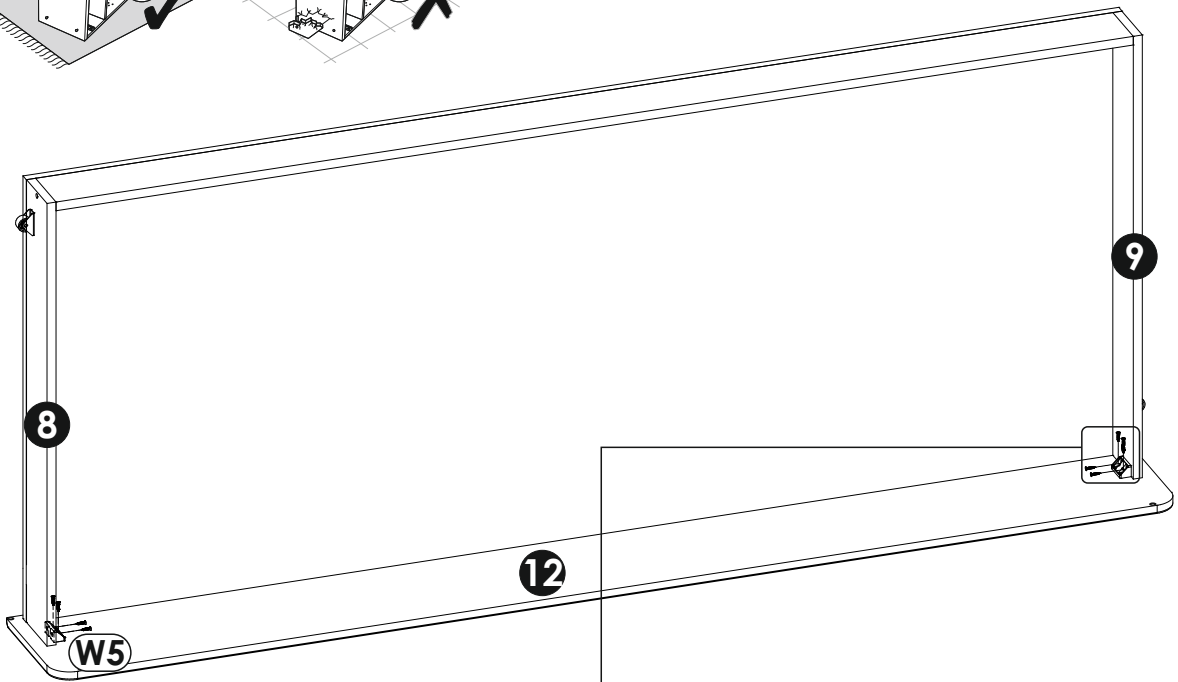
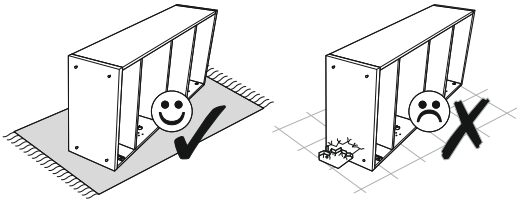
21 ▶



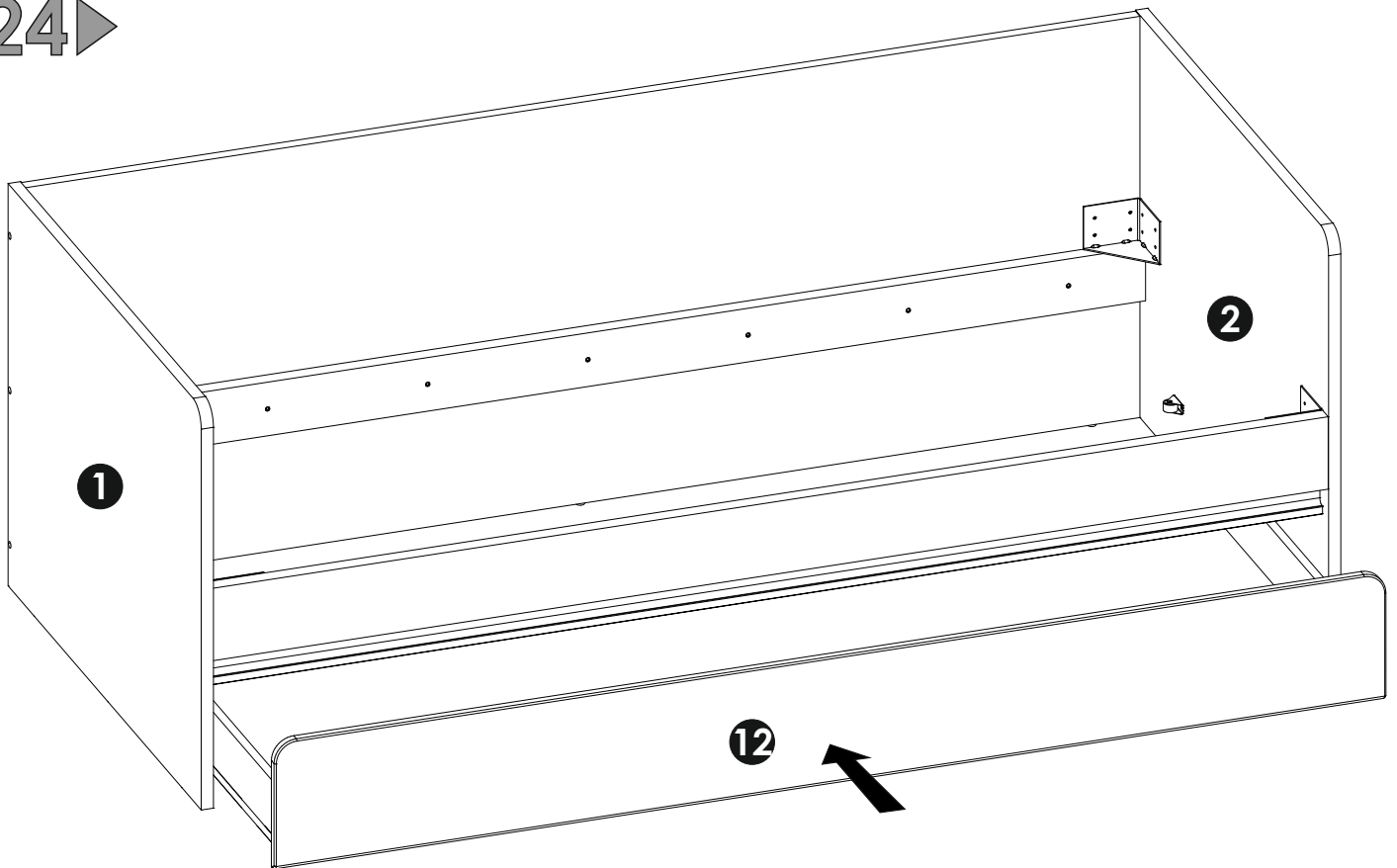
22 ▶



23 ▶



24 ▶



25 ▶



max
120kg

