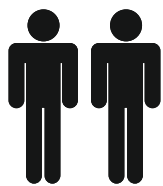
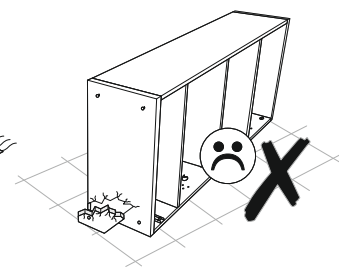
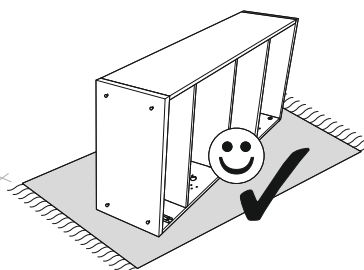
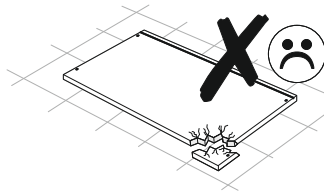
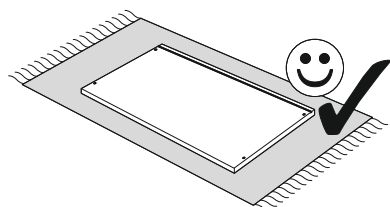
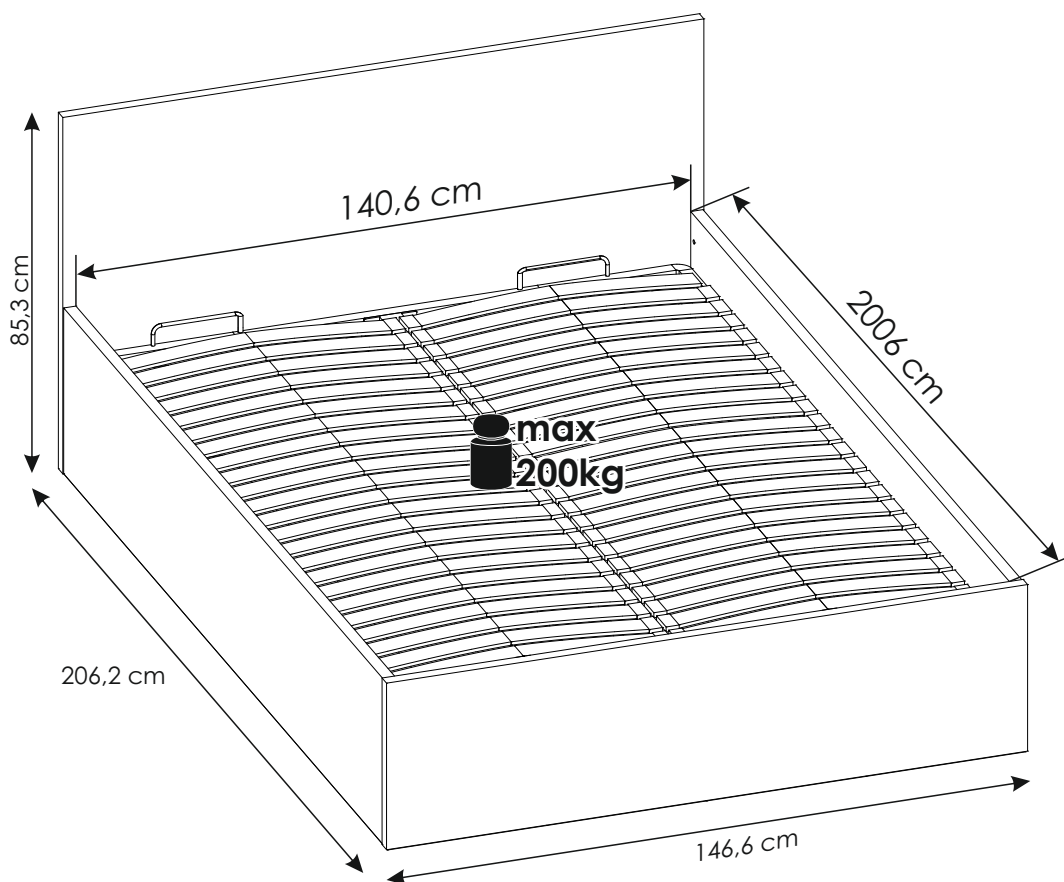
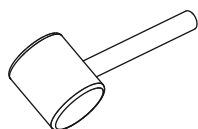
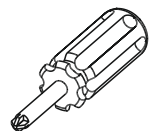
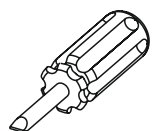
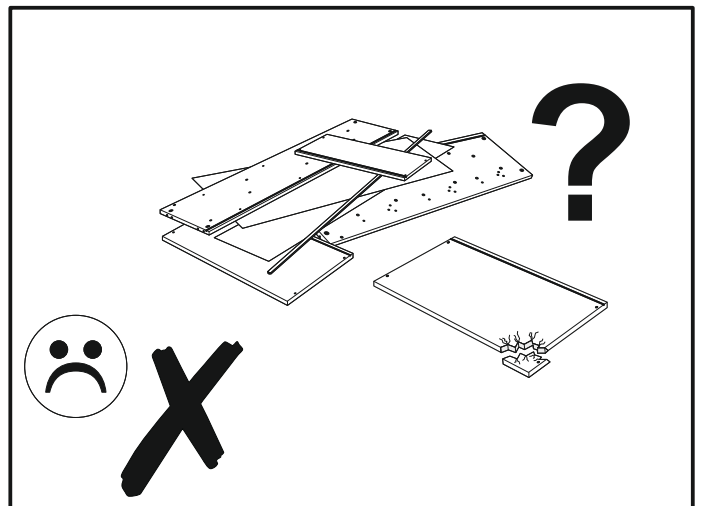
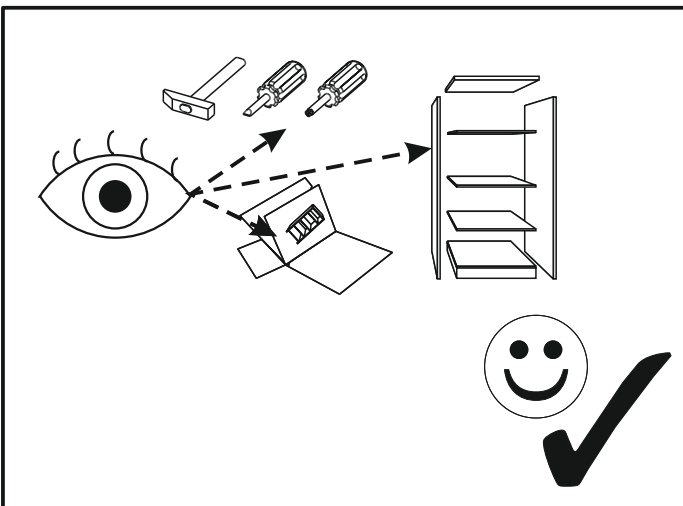
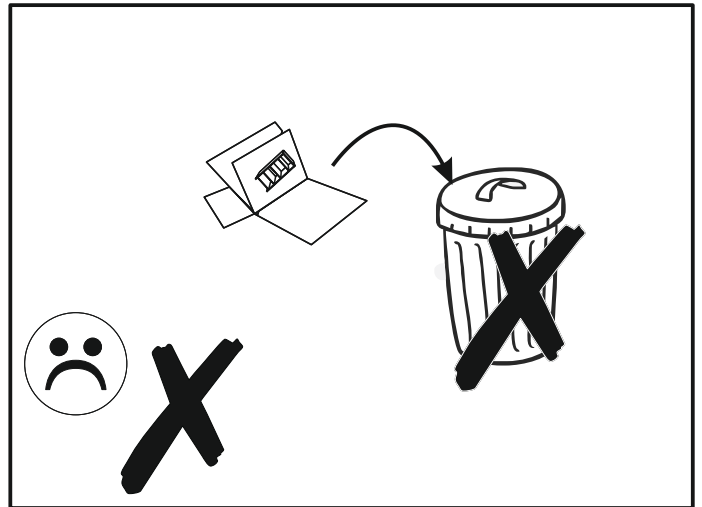
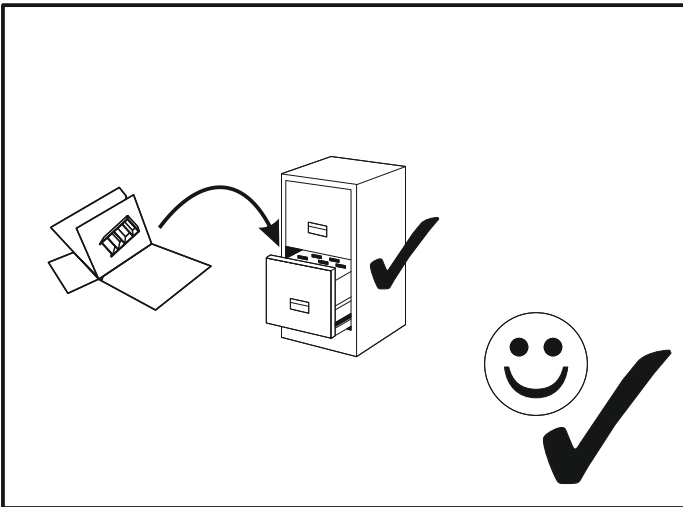
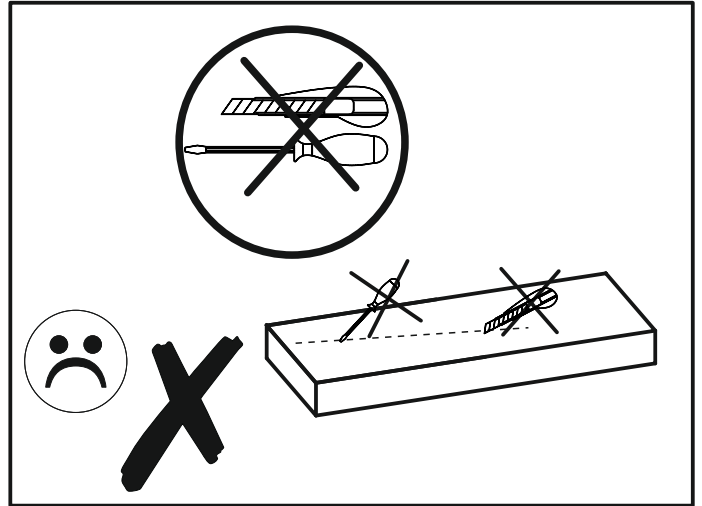
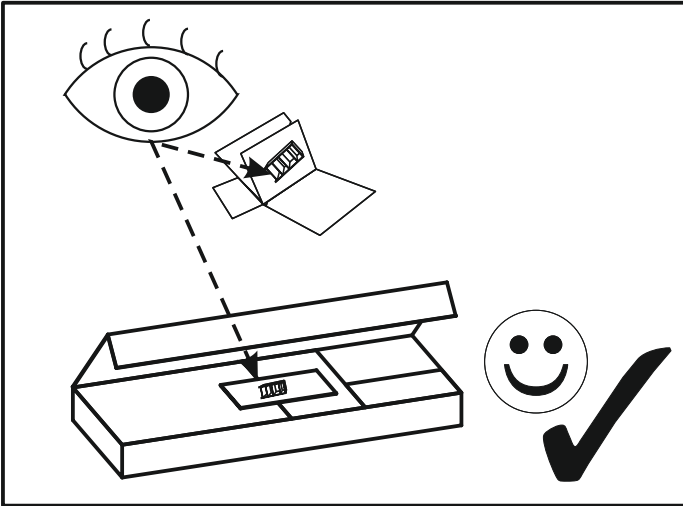


FRIZ05



140 MIN





FRIZ05

MM

260

250

240

230

220

210

200

190

180

170

160

150

140

130

120

110

100

90

80

70

60

50

40

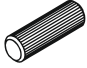


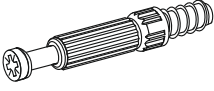
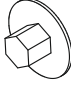
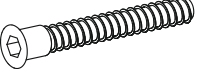

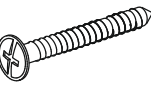
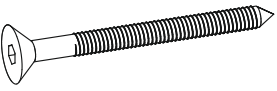
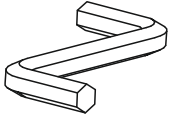
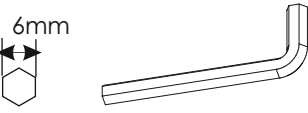
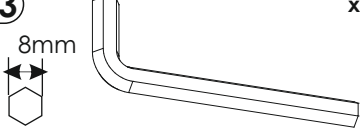
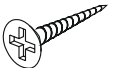
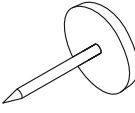
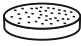
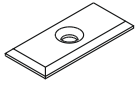
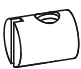

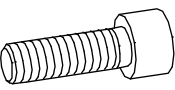


30

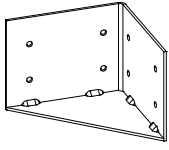
20

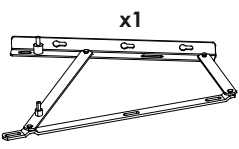
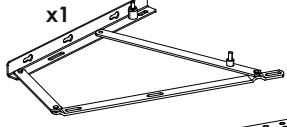
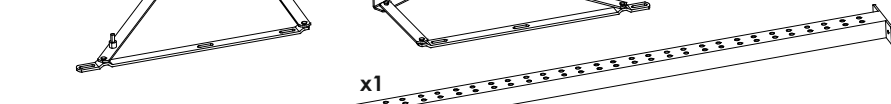
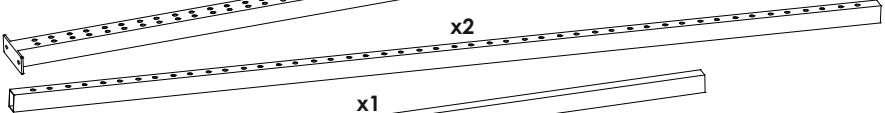
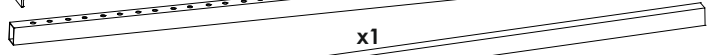
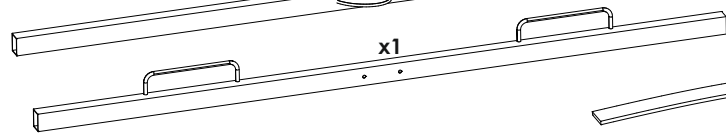
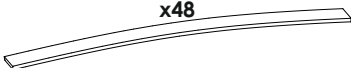





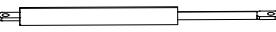
10

0

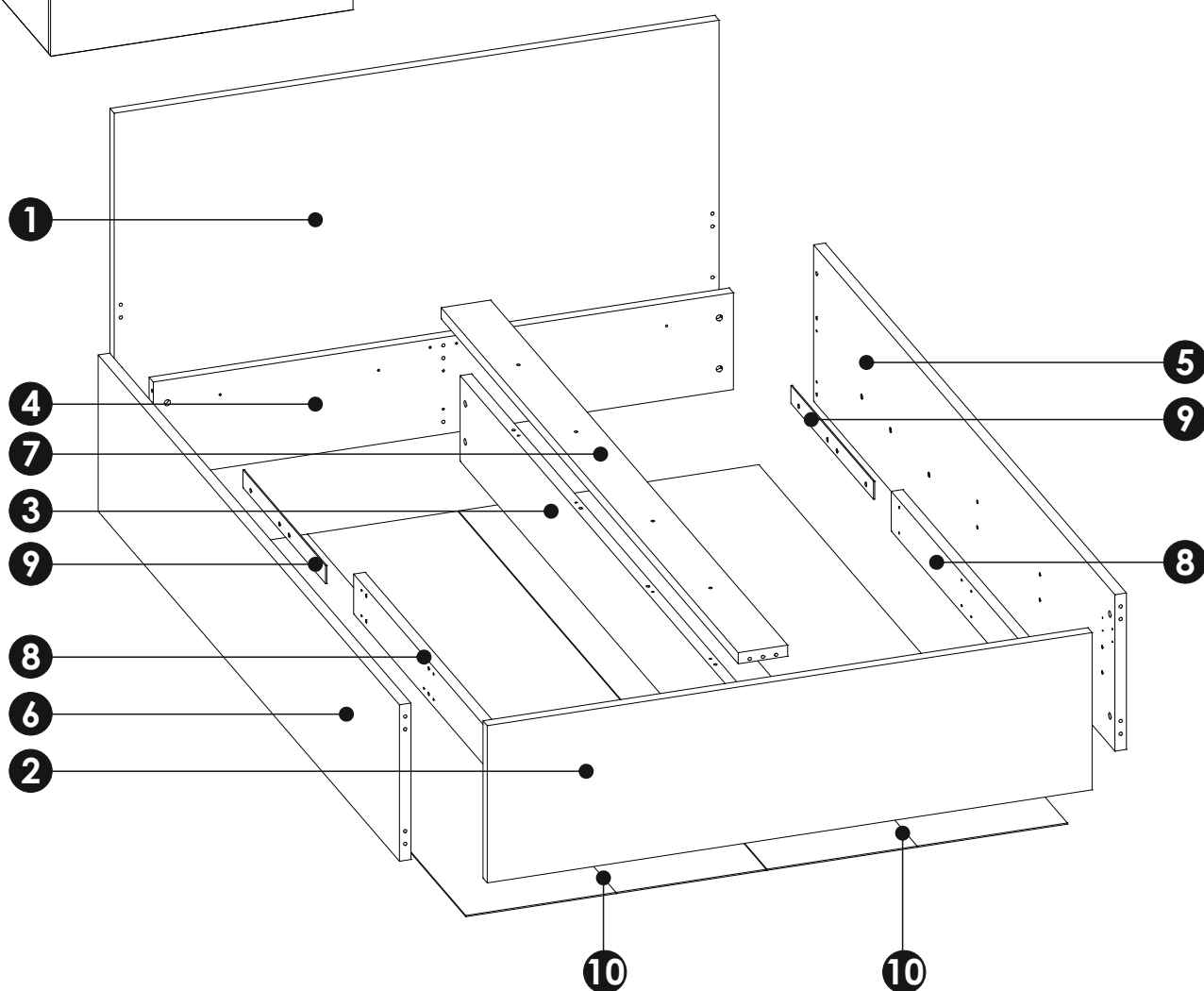
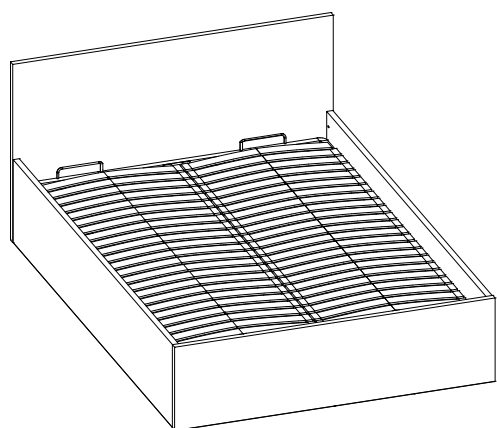


A1 8 x 35 mm x34 	C2 5 x 13 mm x16 	E1 15 x 12 mm x16 
F1 6 x 34 mm x16 	G0 	G2 7 x 60 mm x8 
I0 3 x 13 mm x10 	I17 4 x 50 mm x20 	K9 M6 x 60mm x2 
M 	M2 6mm x1 	M3 8mm x1 
N1 3 X 16 mm x65 	O2 x25 	O2A ø20 x9 
R1 x13 	S1 x2 	S17 x6 
SL1 M8 x 25 mm x6 	SL2 x6 	SL3 x2 

W x2 

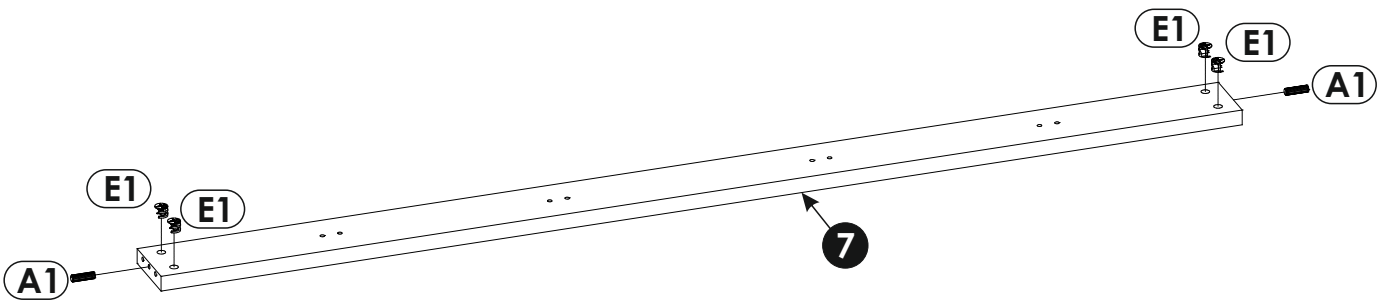
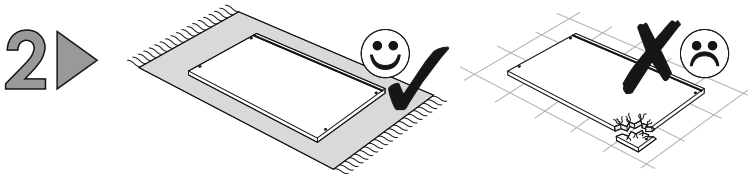
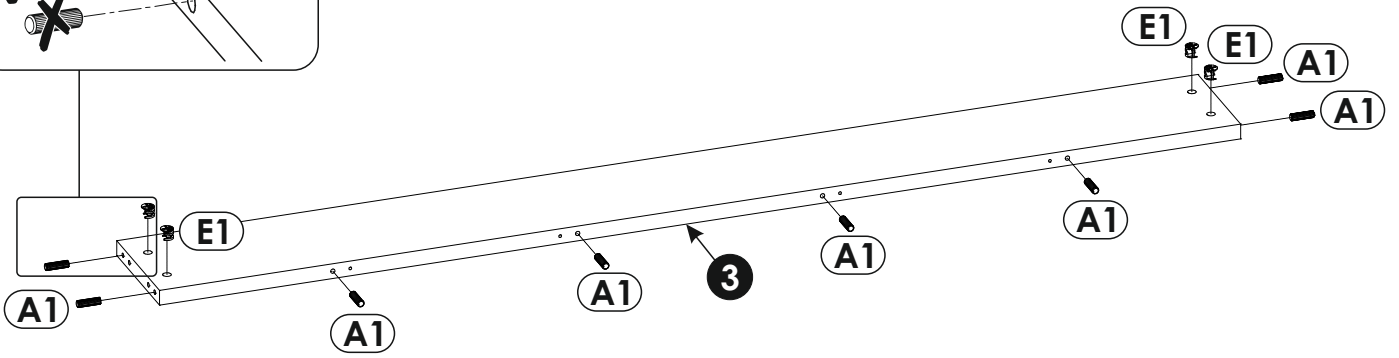
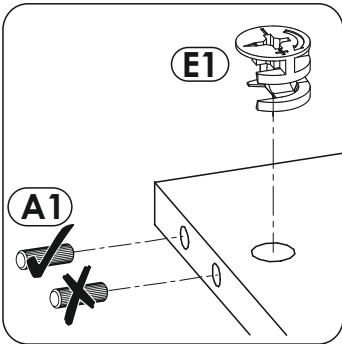
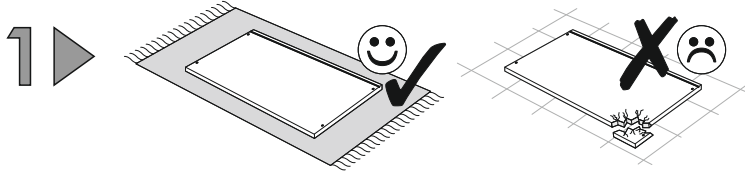
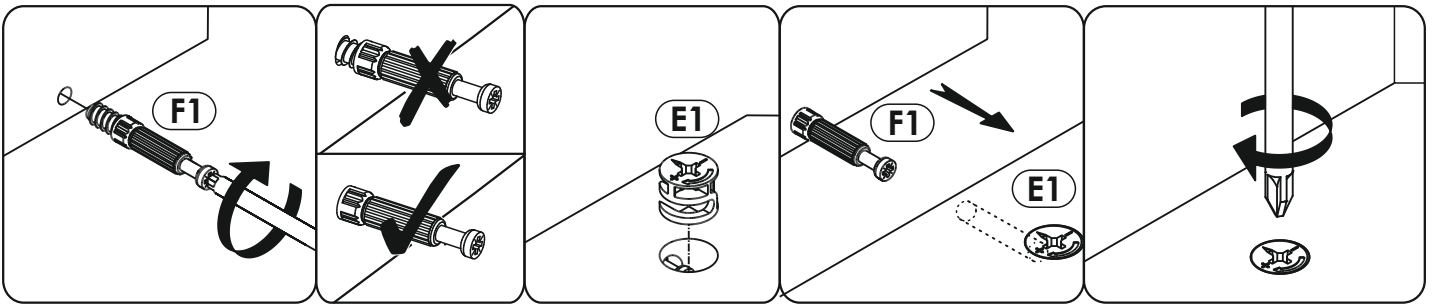
SL x1 	x1 											
--	---	--	--	--	--	--	---	---	---	---	---	---

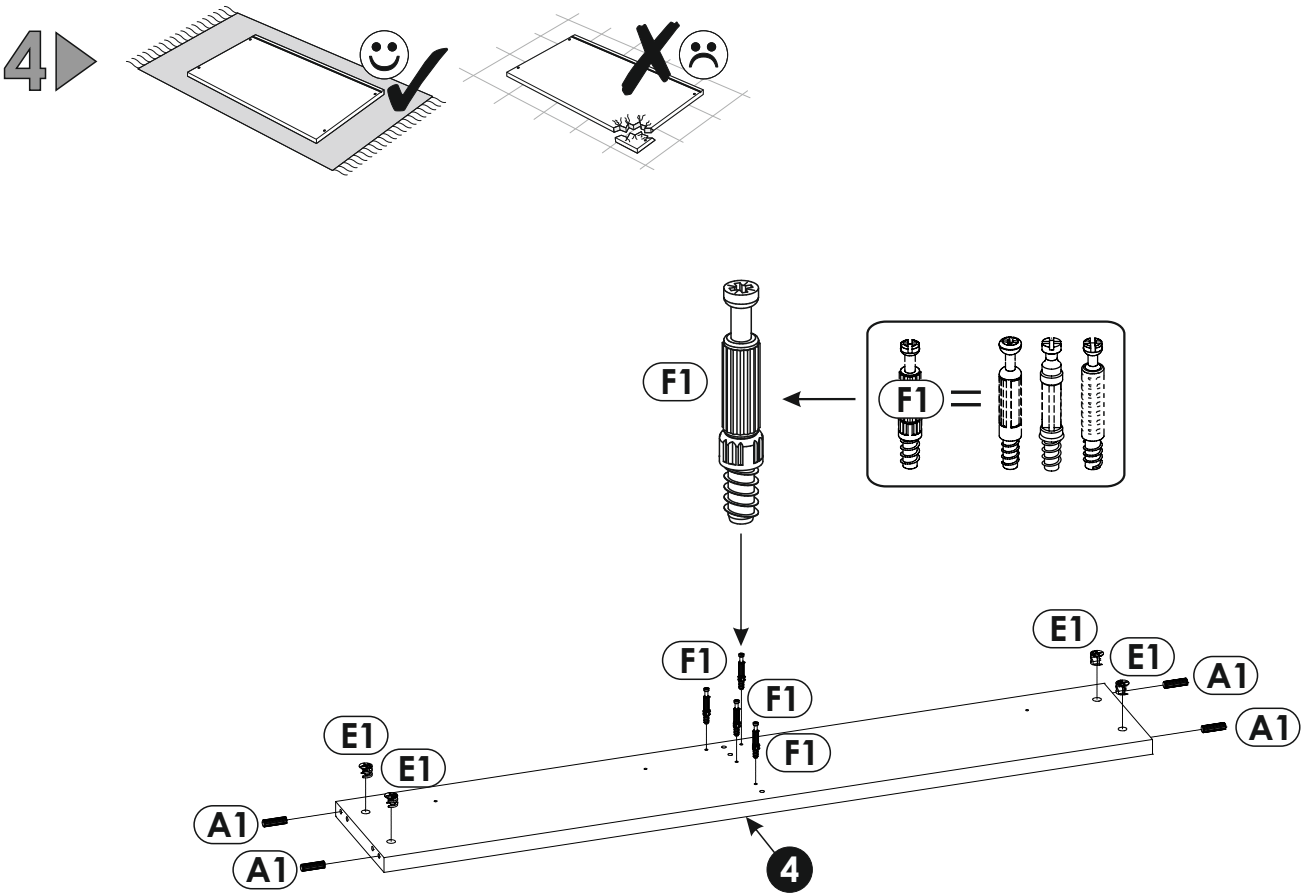
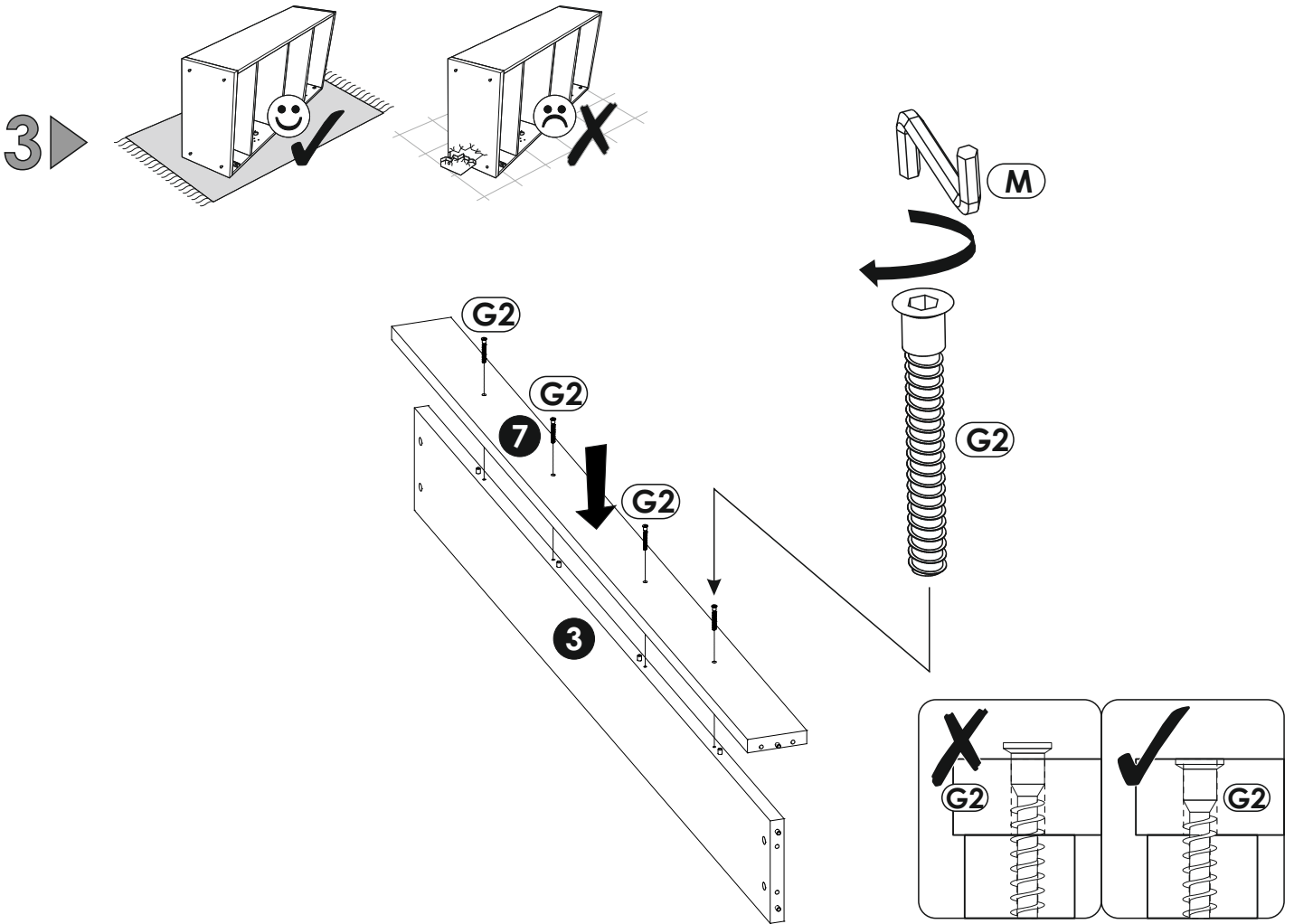
FRIZ05

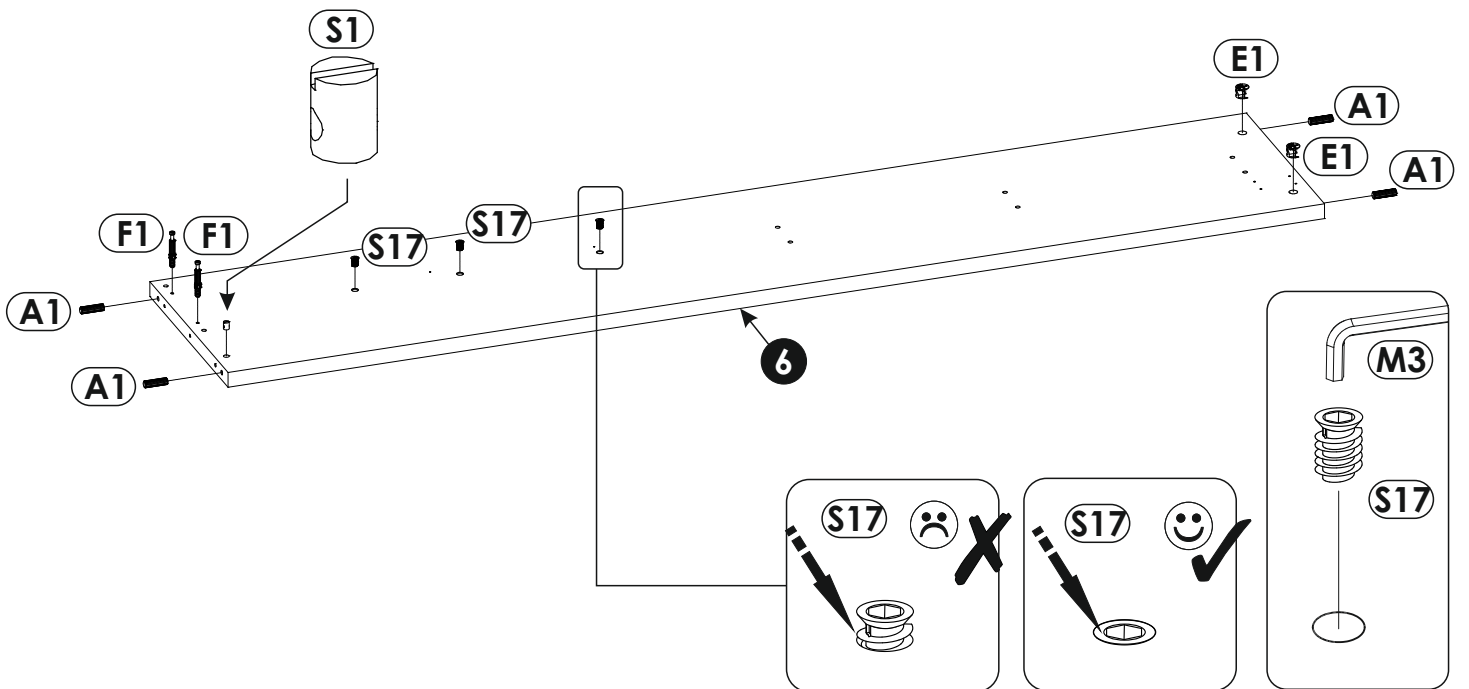
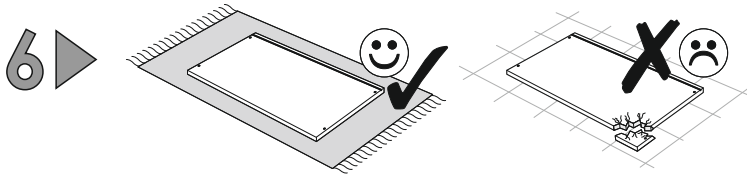
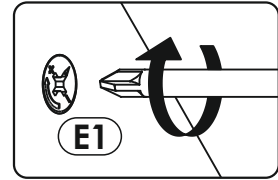
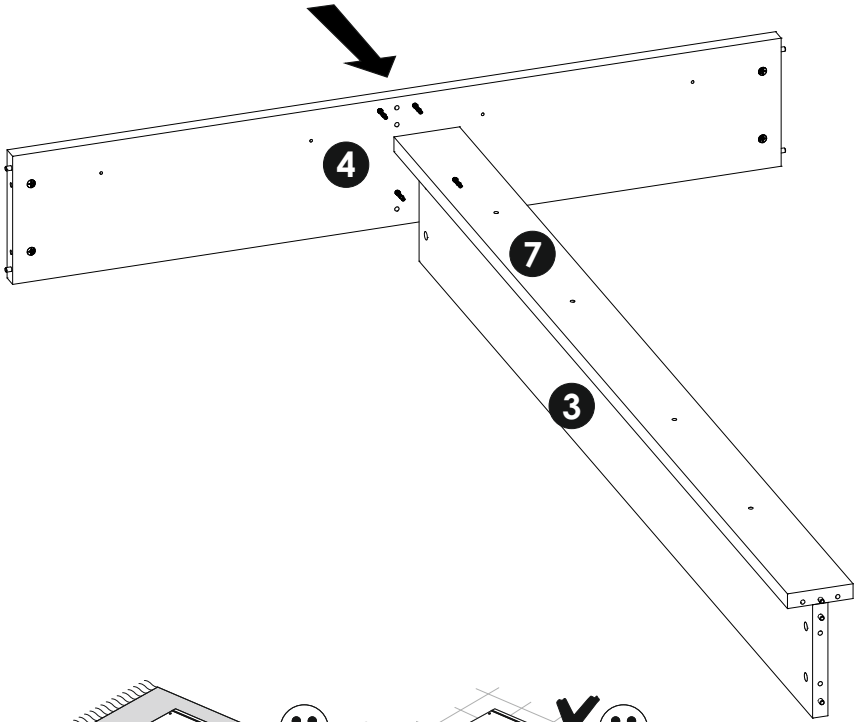
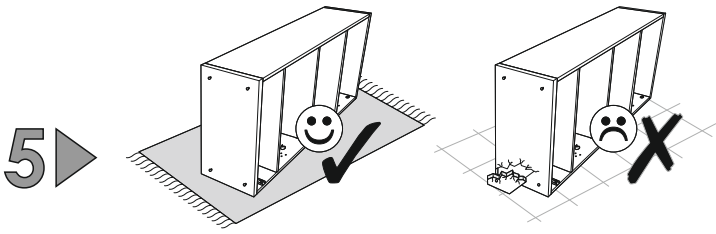


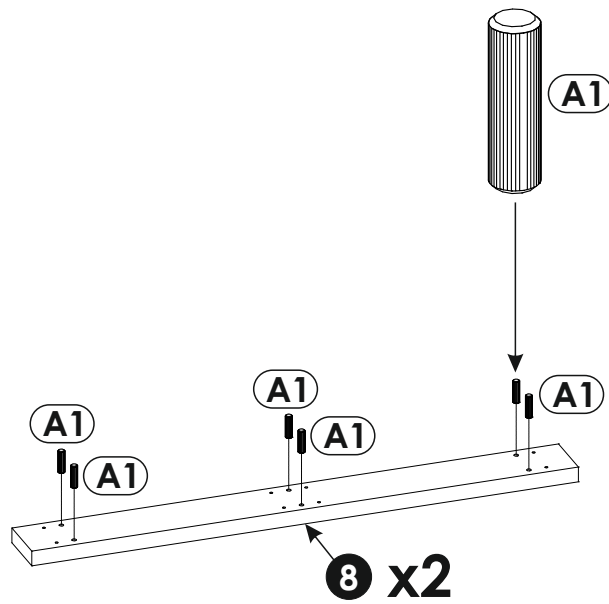
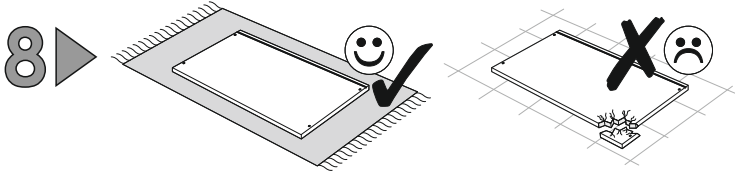
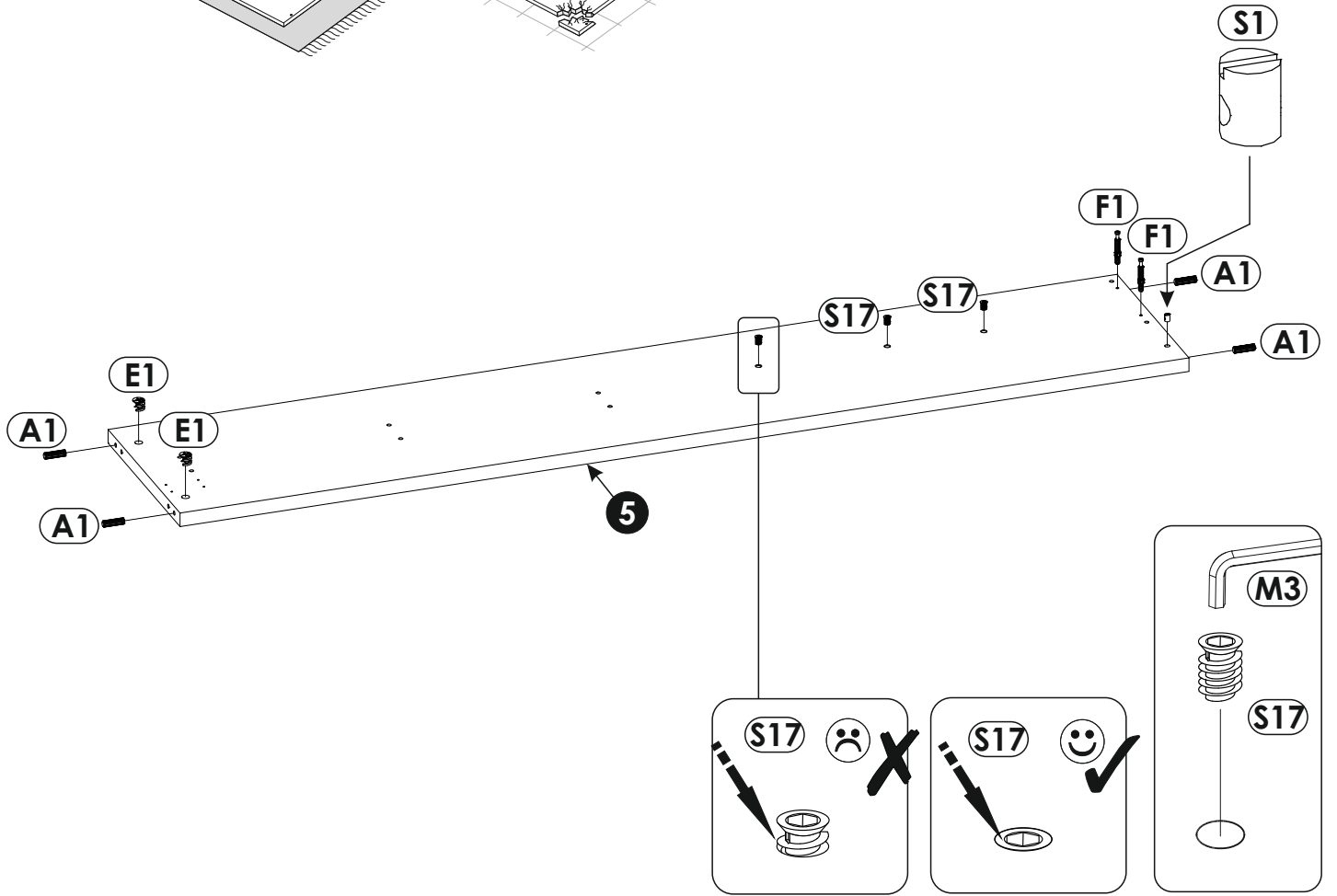
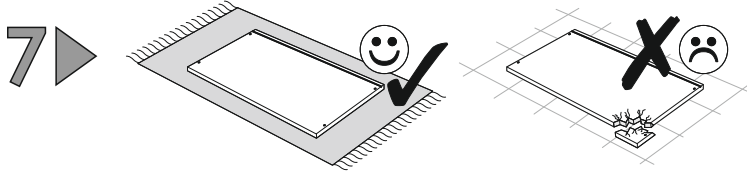
1	1466	845	28	x1	2/5
2	1466	395	28	x1	3/5
3	215	1978	28	x1	1/5
4	1406	243	28	x1	1/5
5	2006	393	28	x1	3/5

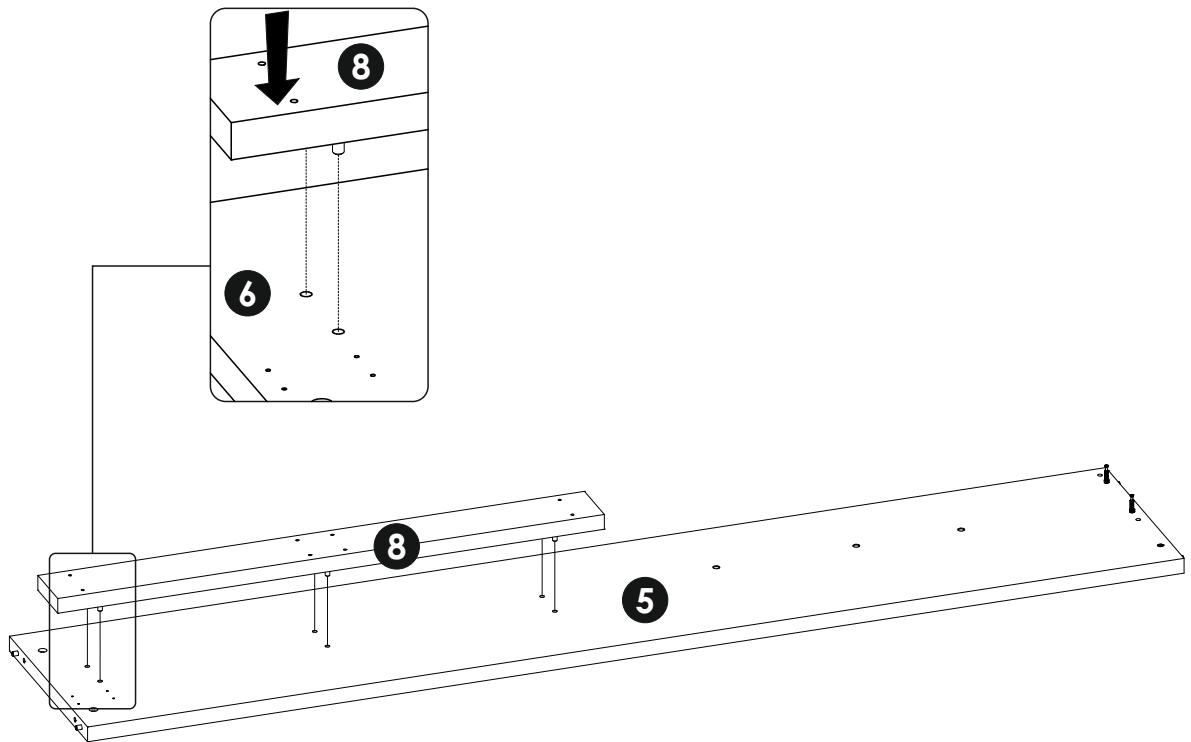
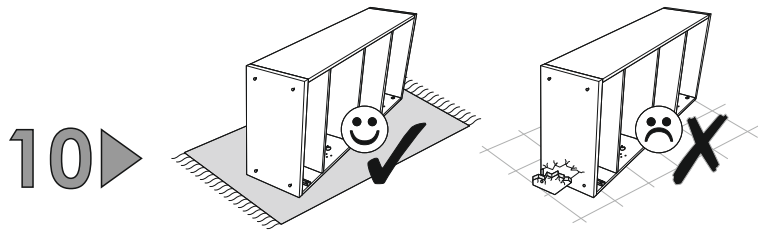
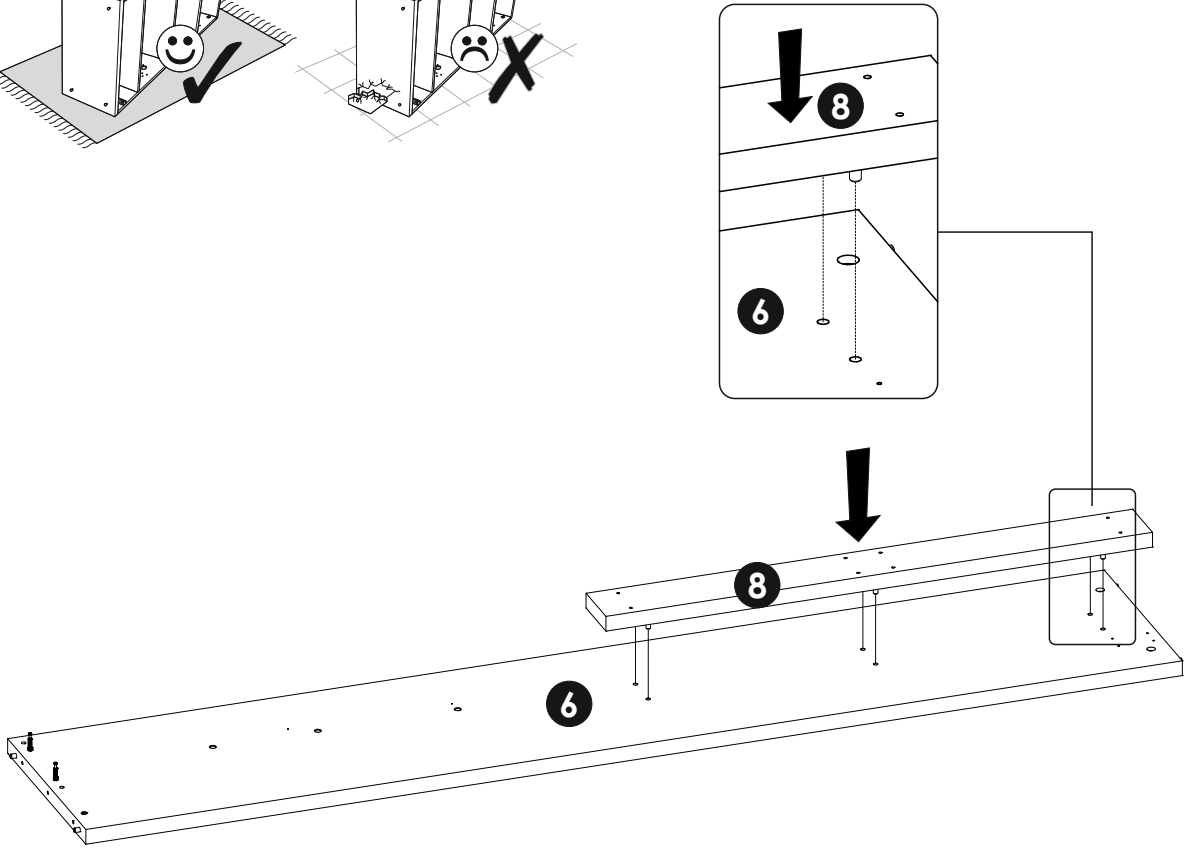
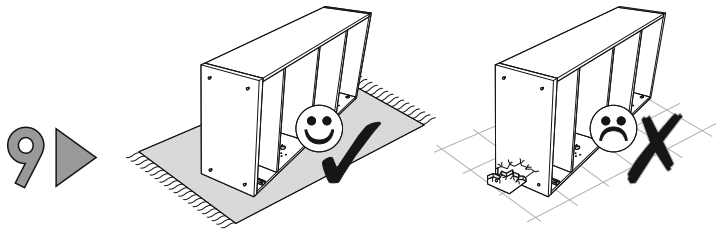
6	2006	393	28	x1	4/5
7	120	1978	28	x1	1/5
8	100	1000	28	x2	1/5
9	550	45	3	x2	1/5
10	2054	728	3	x2	4/5



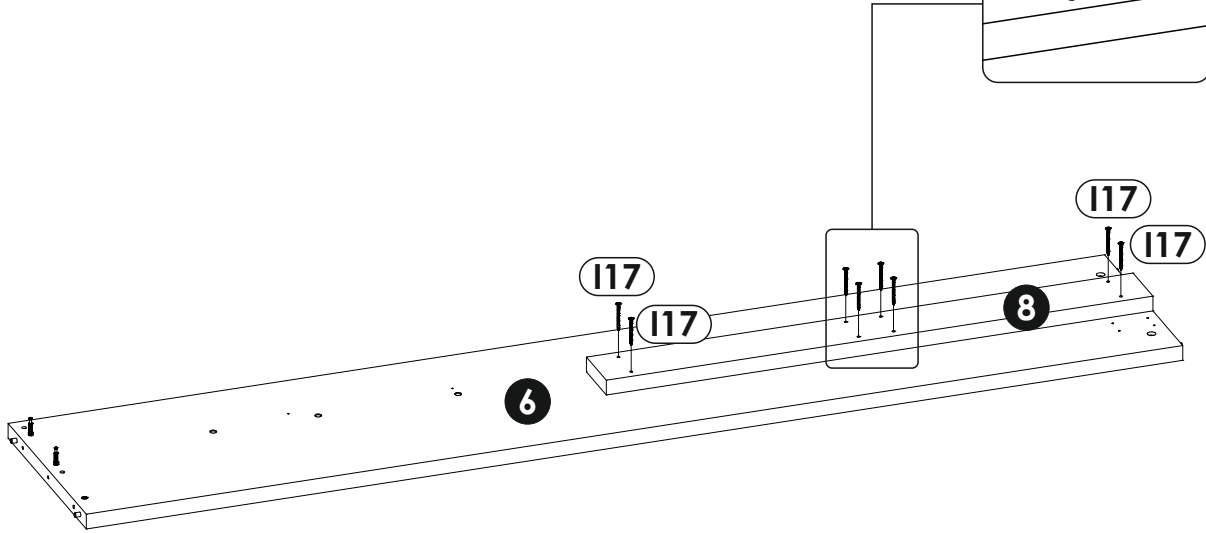
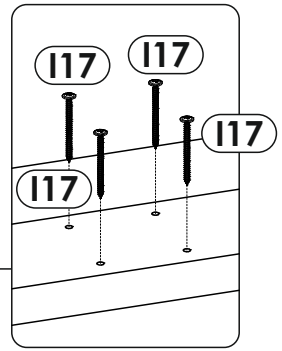
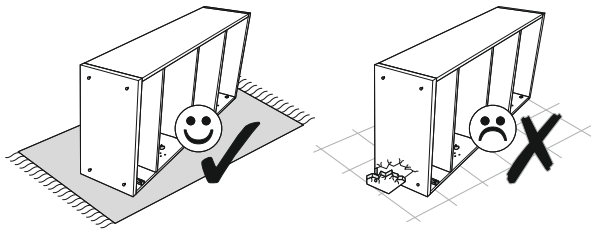




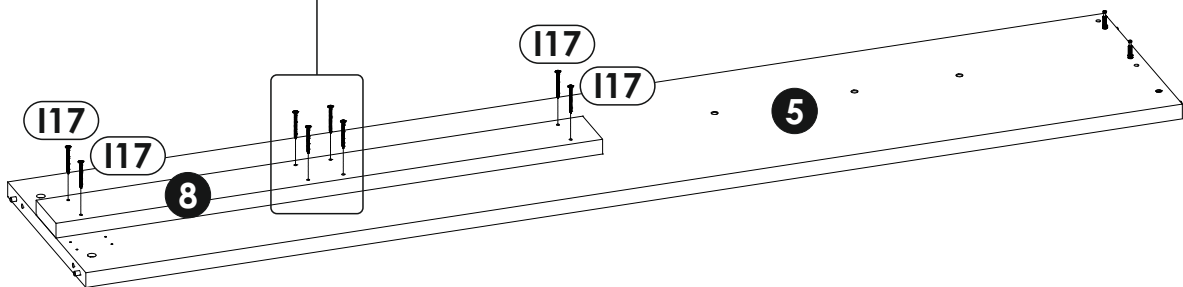
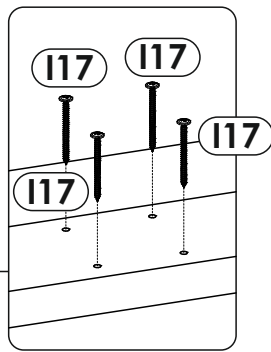
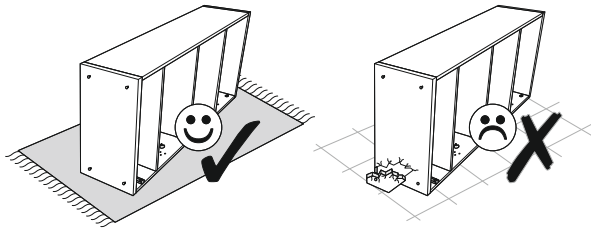


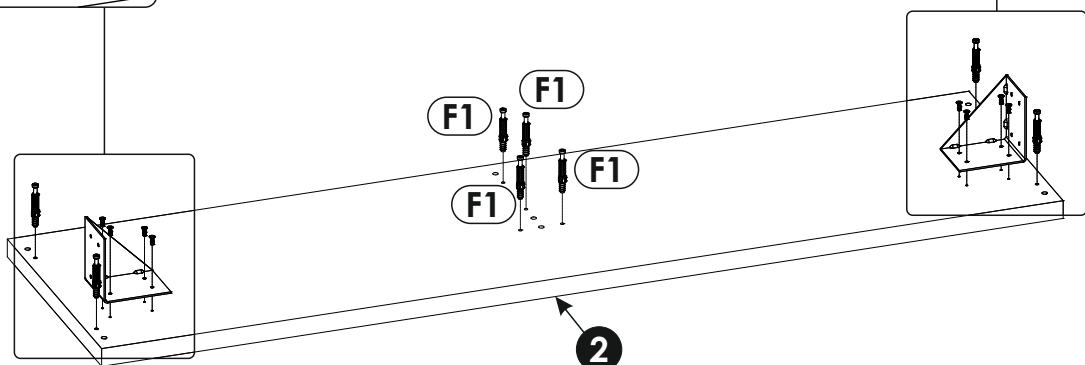
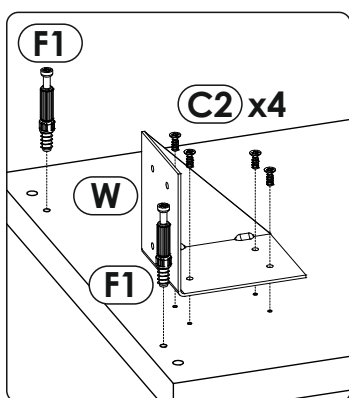
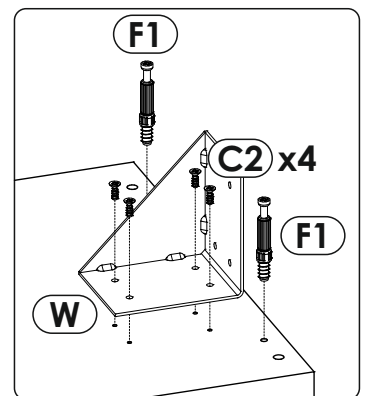
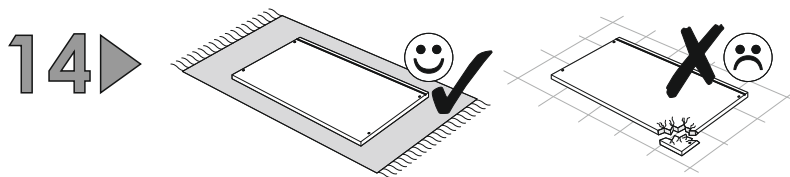
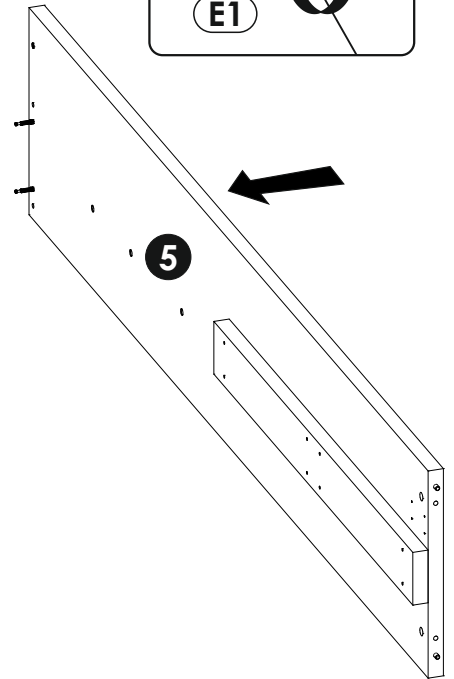
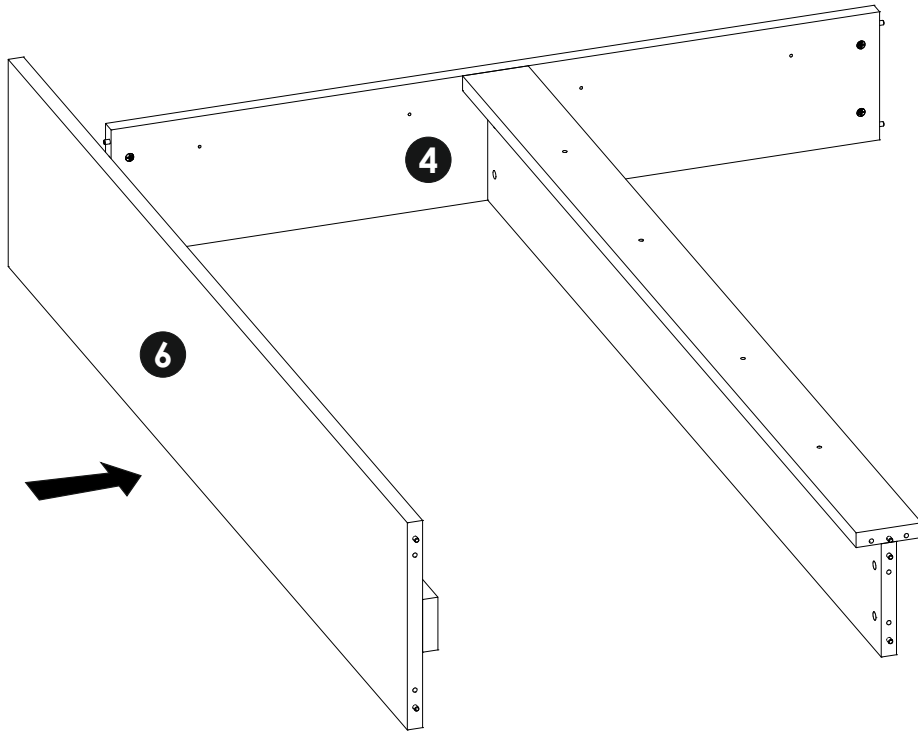
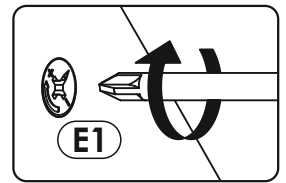
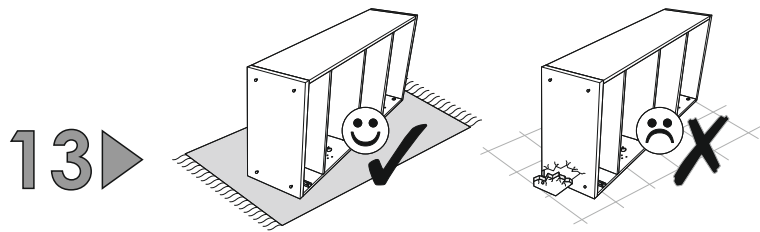


11 ▶

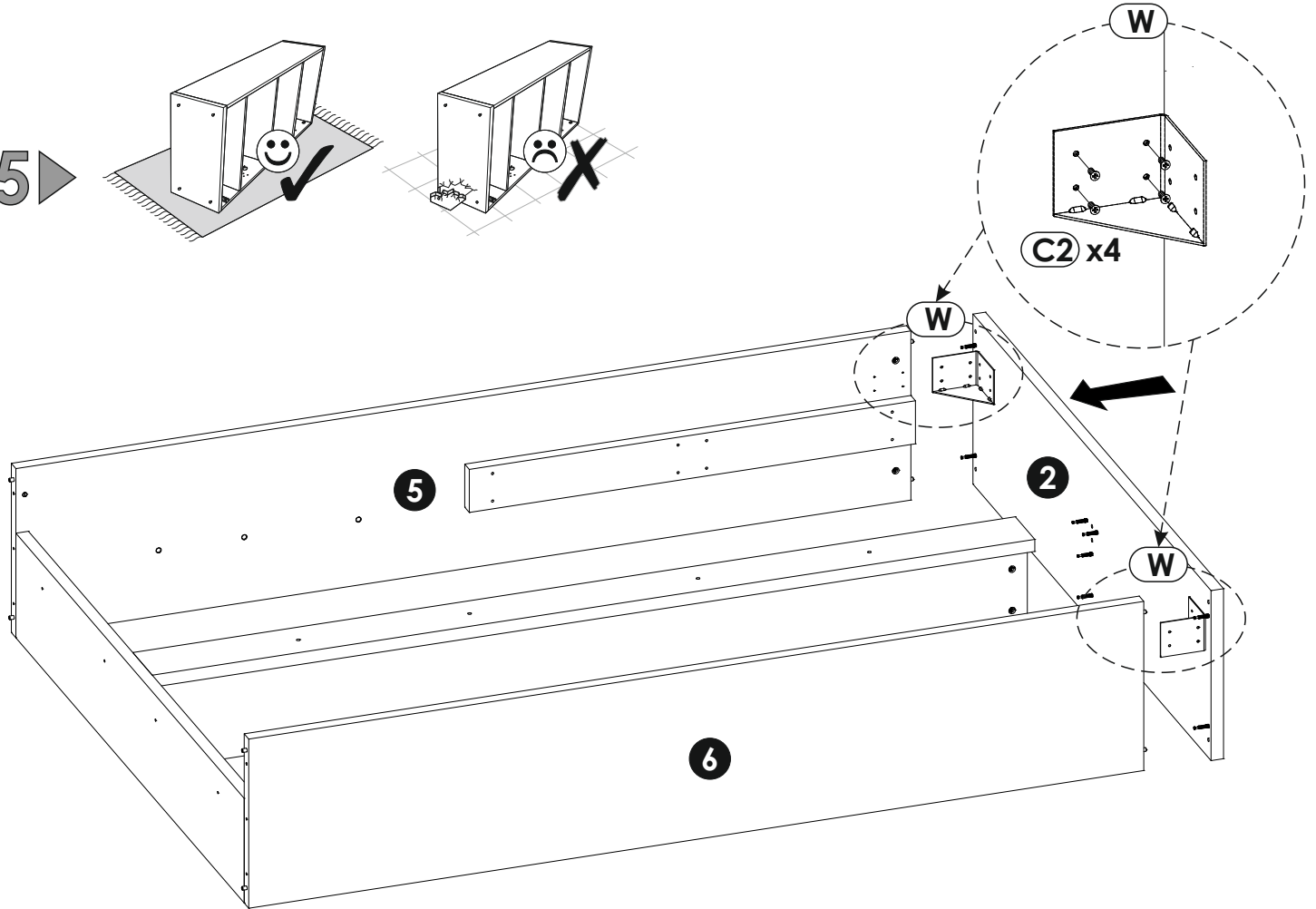
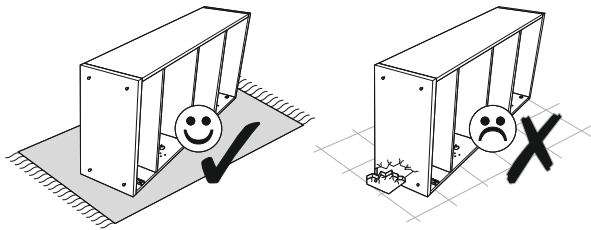


12 ▶

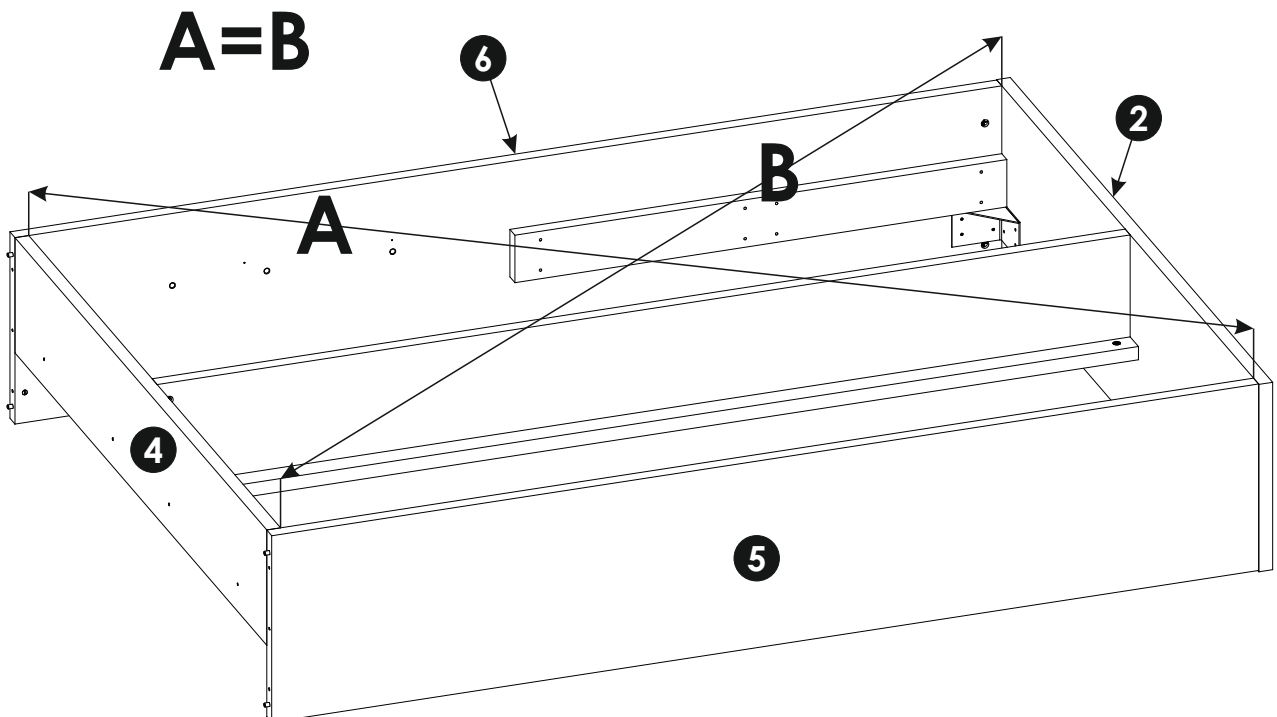
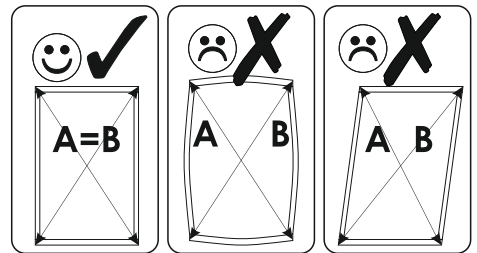
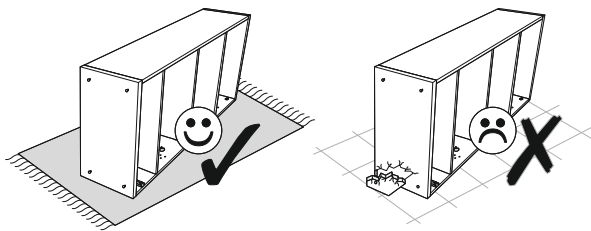


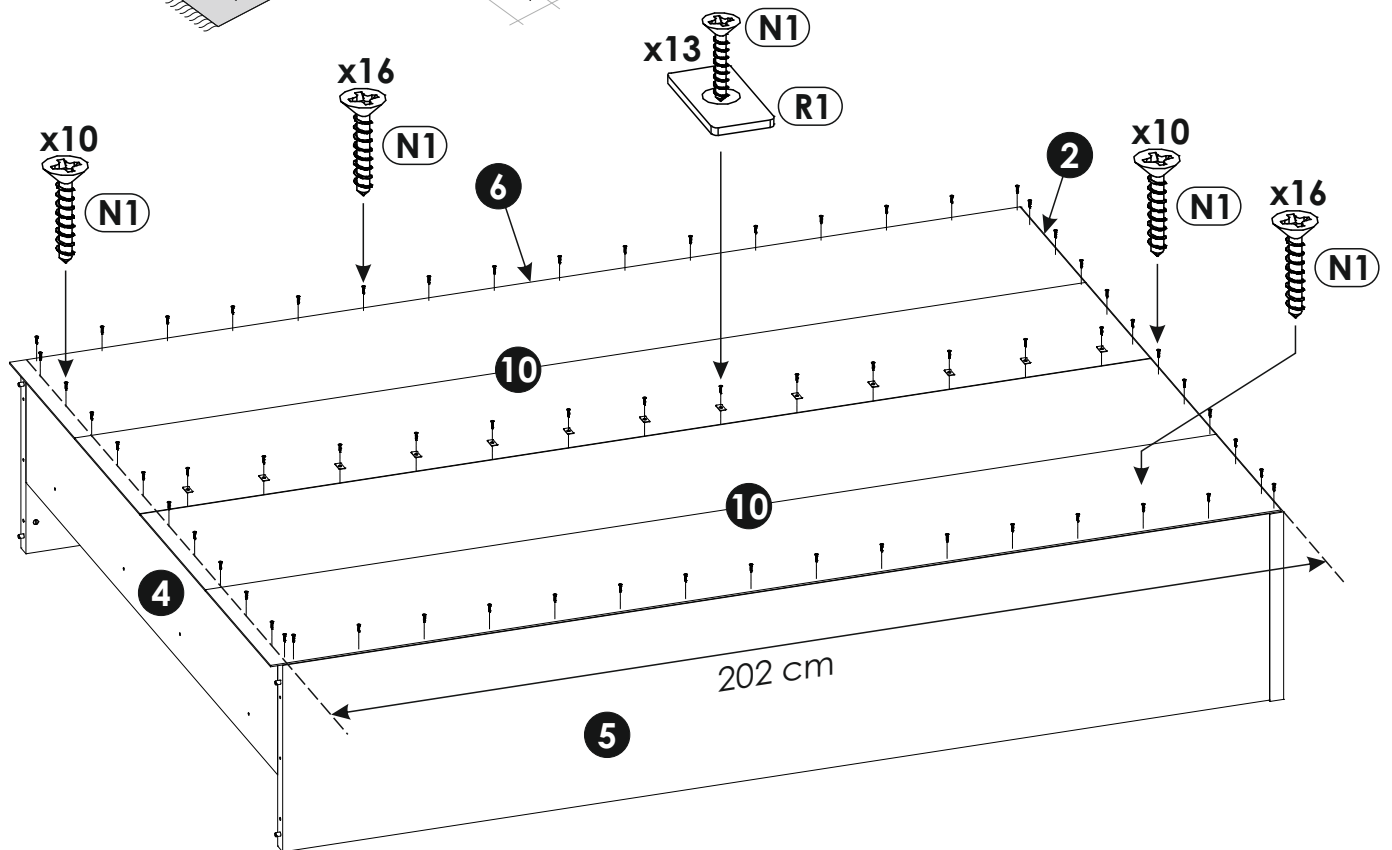
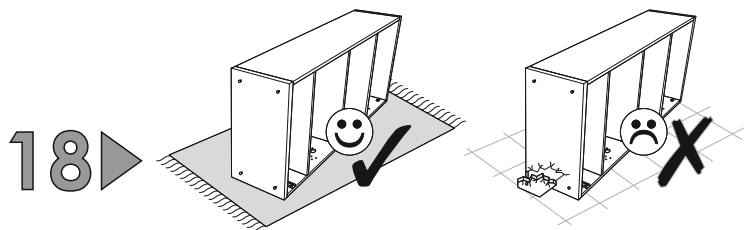
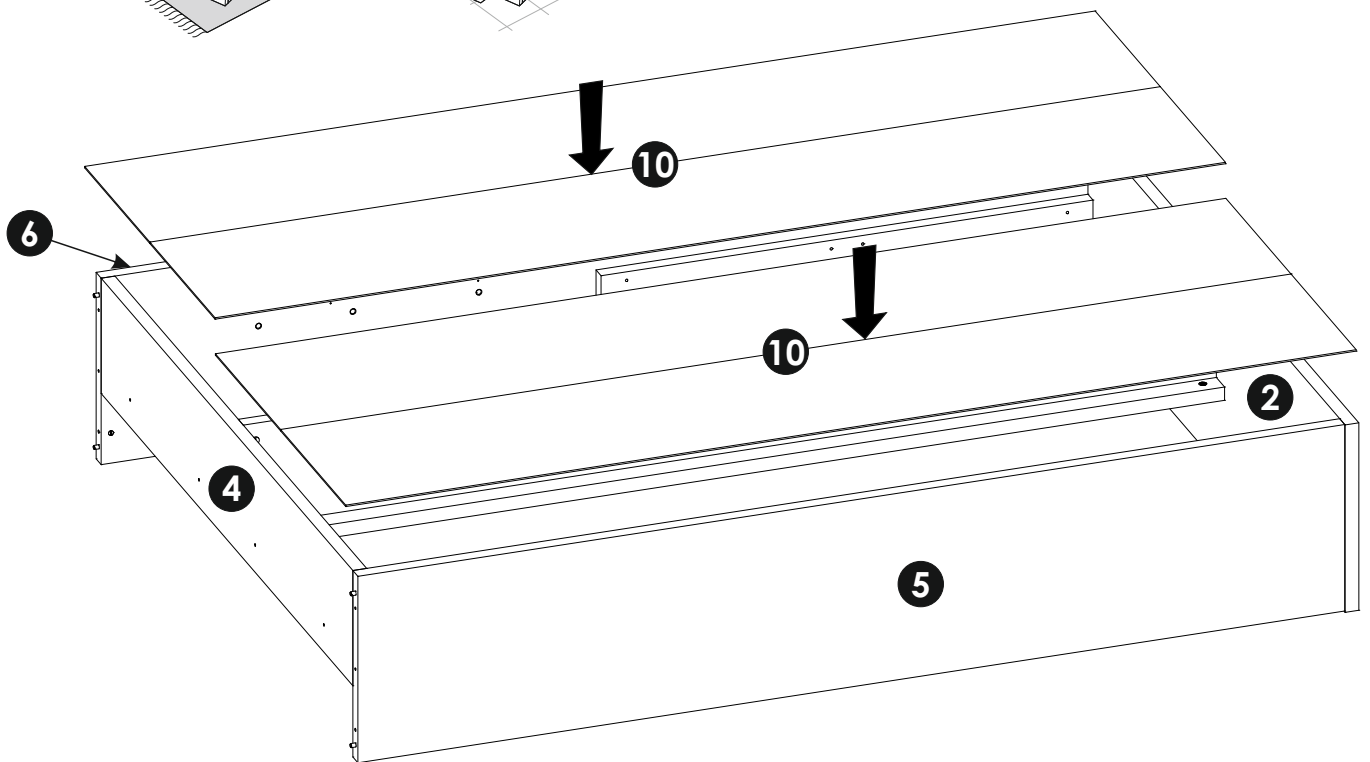
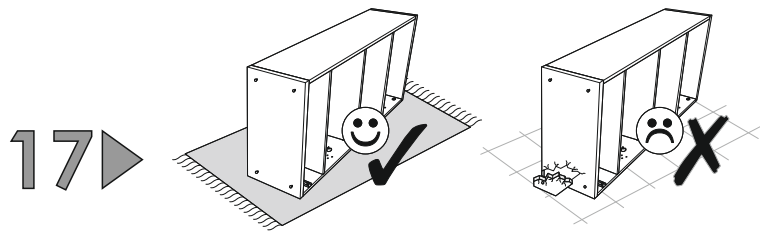


15 ▶

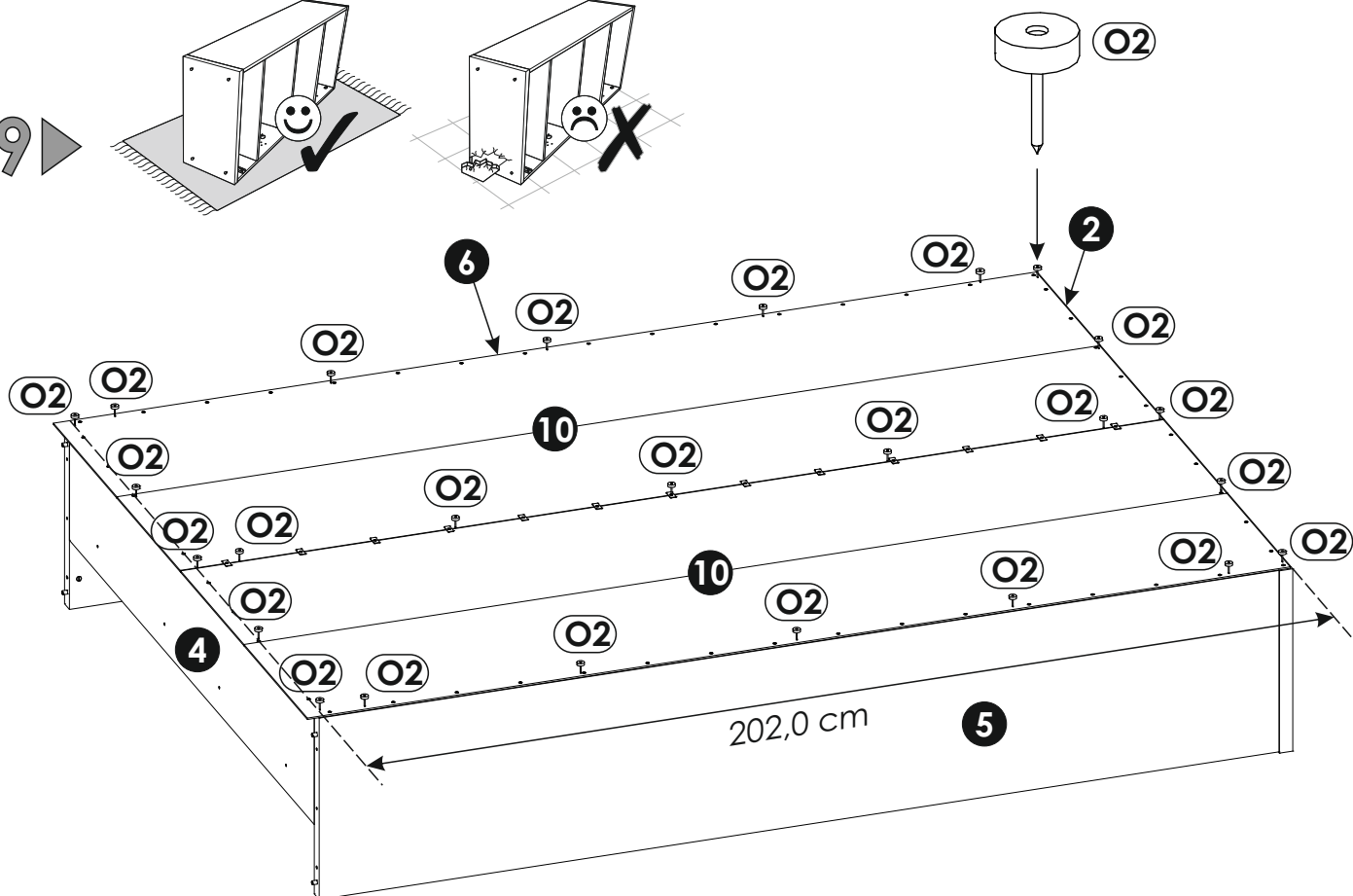
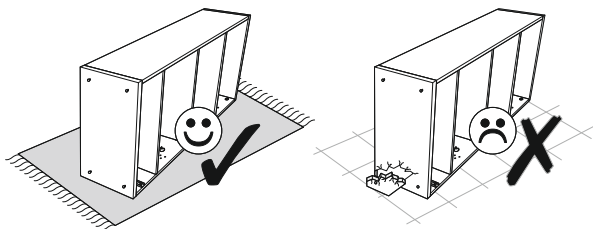


16 ▶

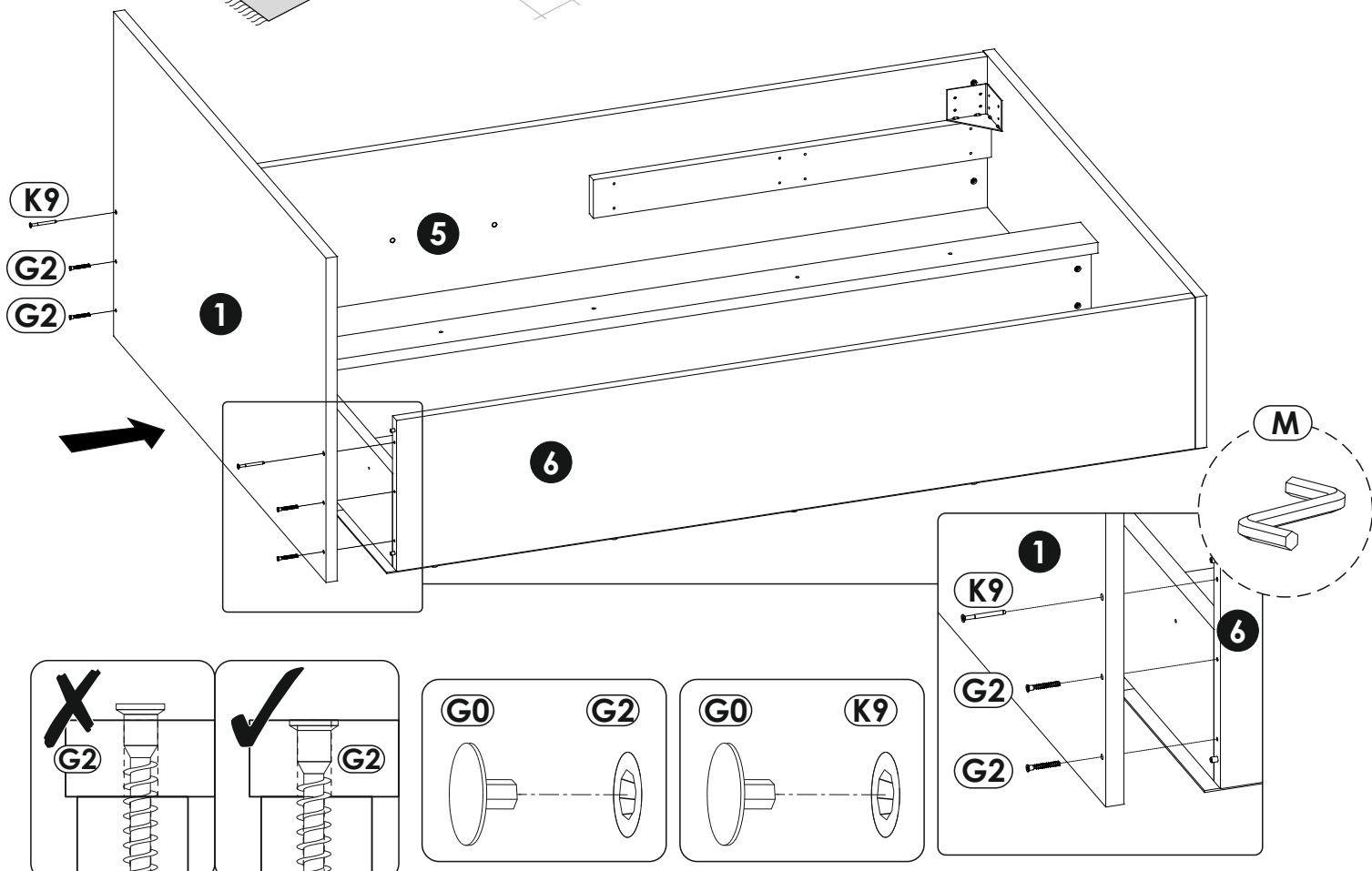
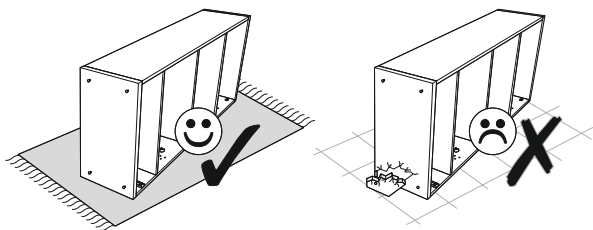




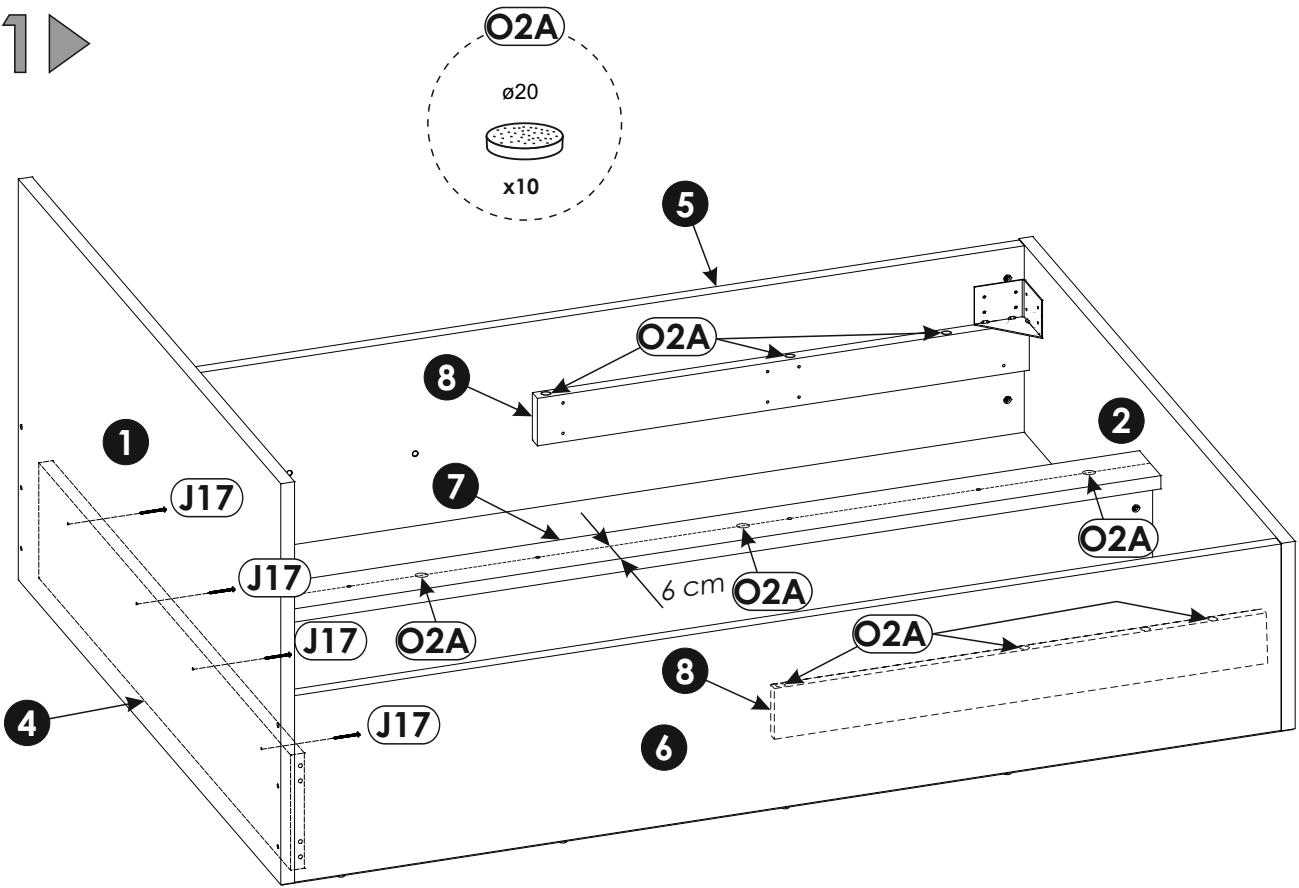
19 ▶



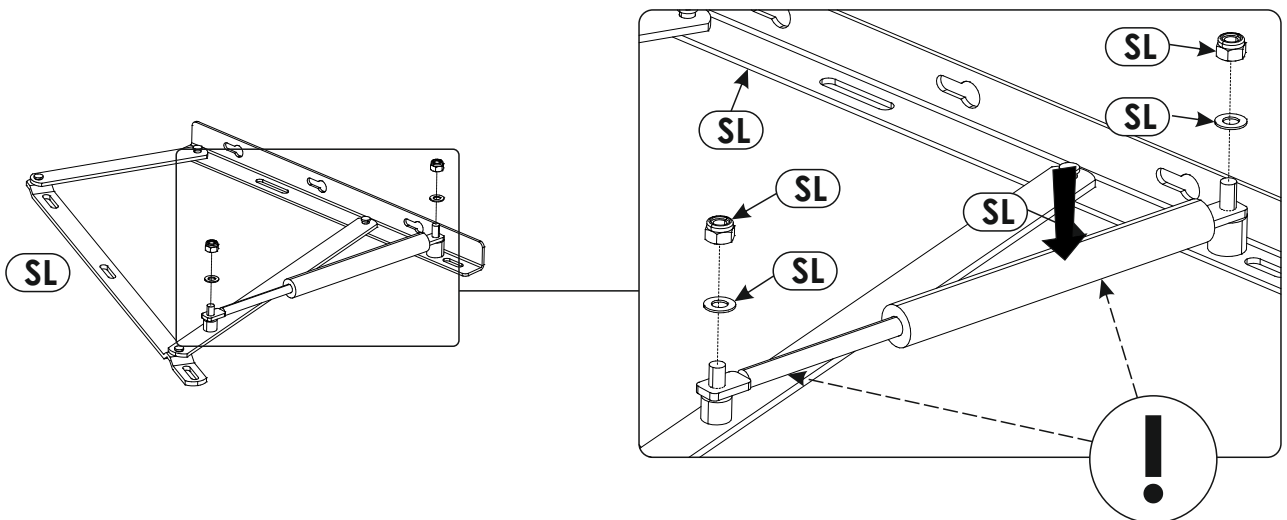
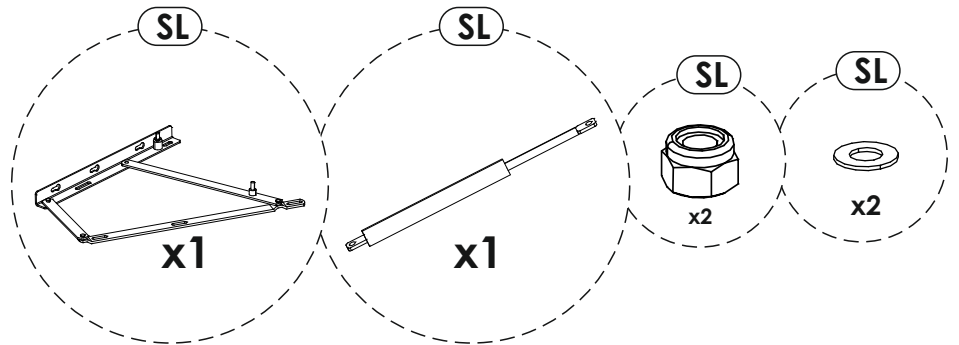
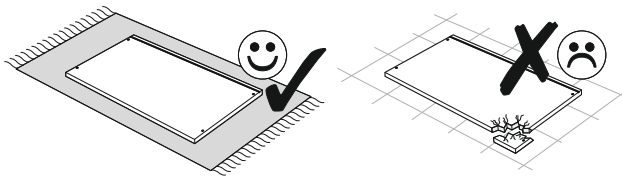
20 ▶

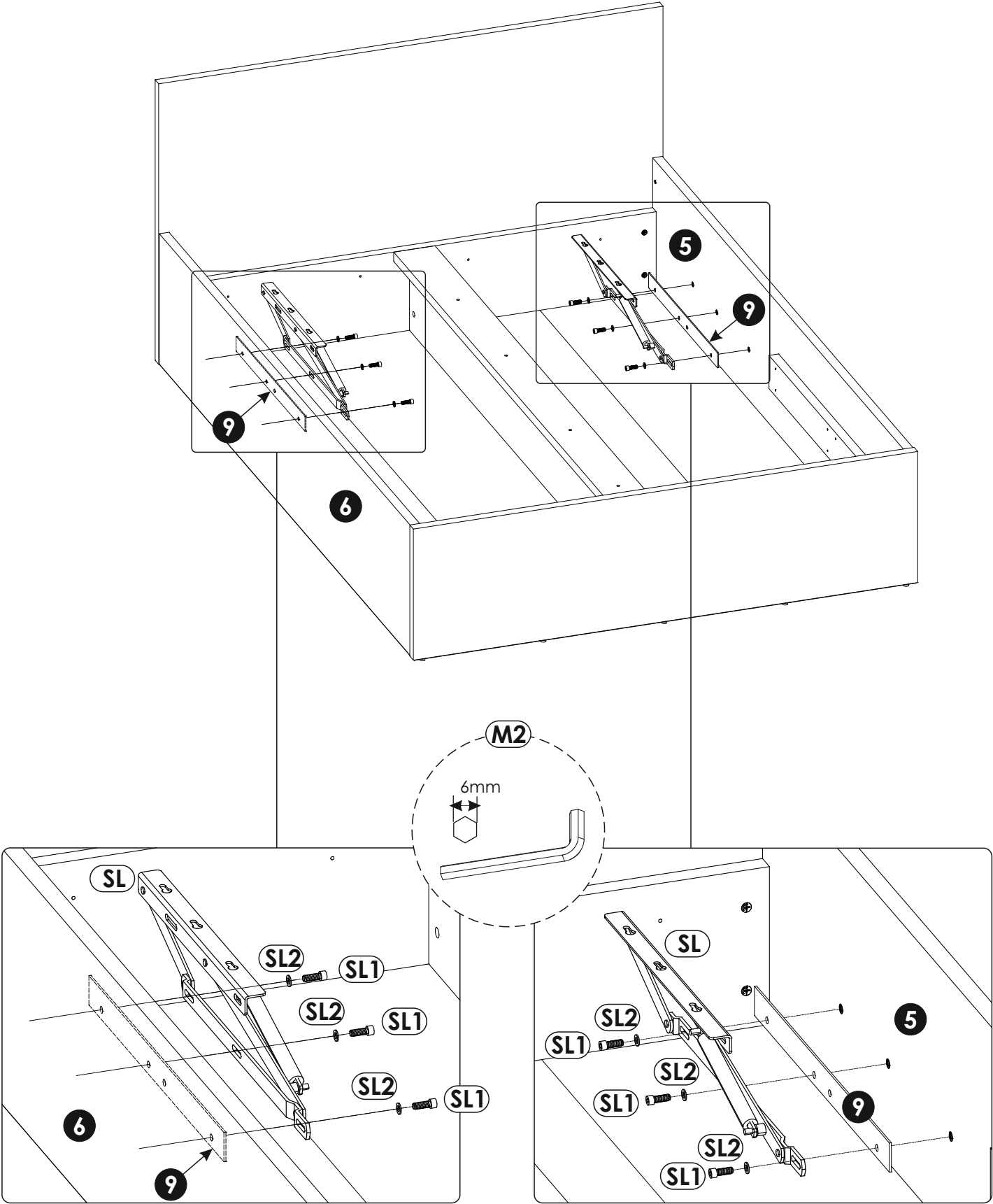


21 ▶

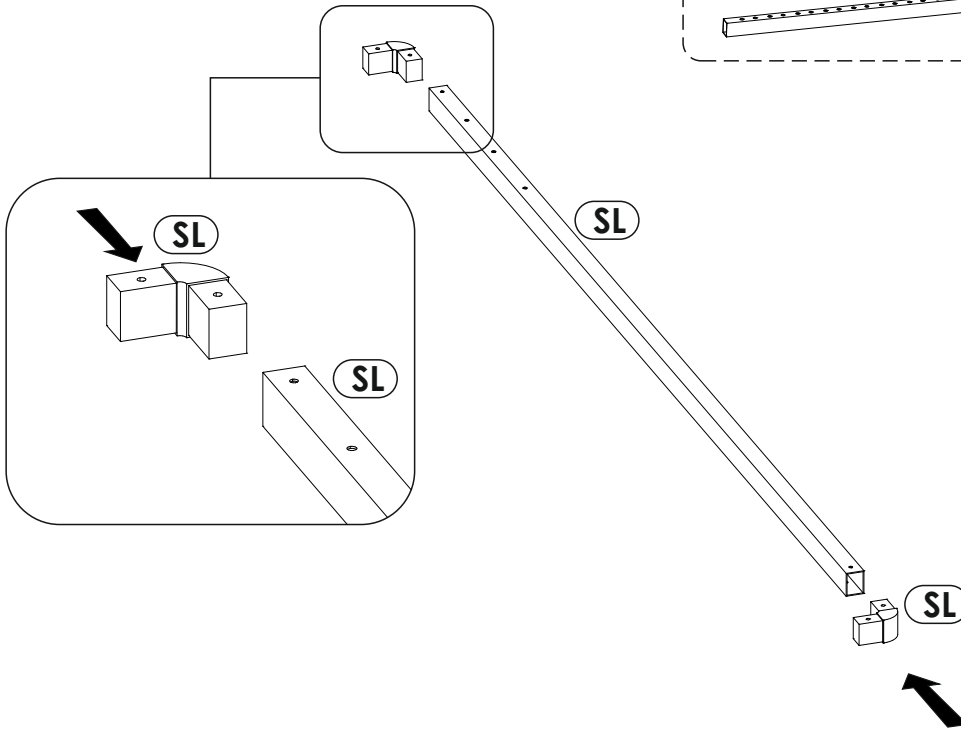
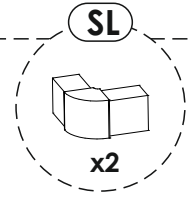
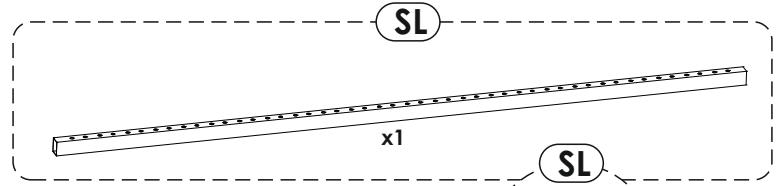
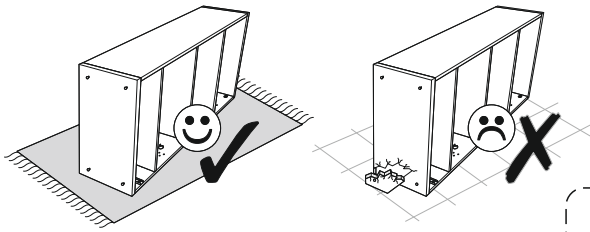


22 ▶

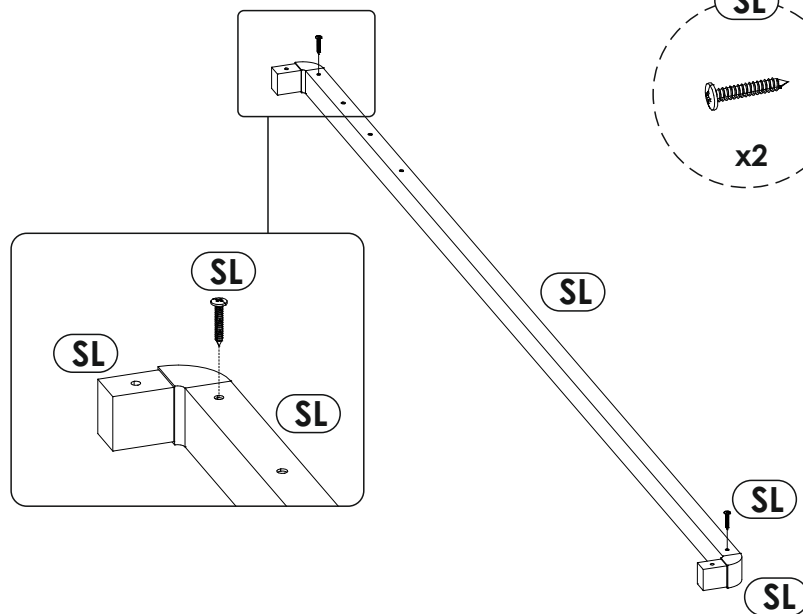
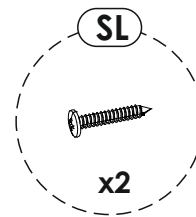
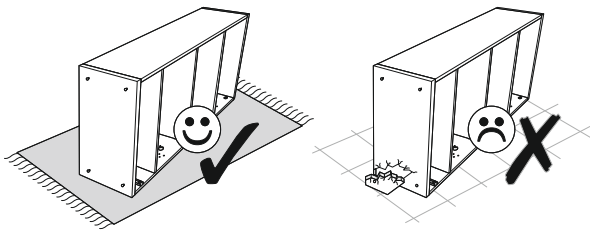




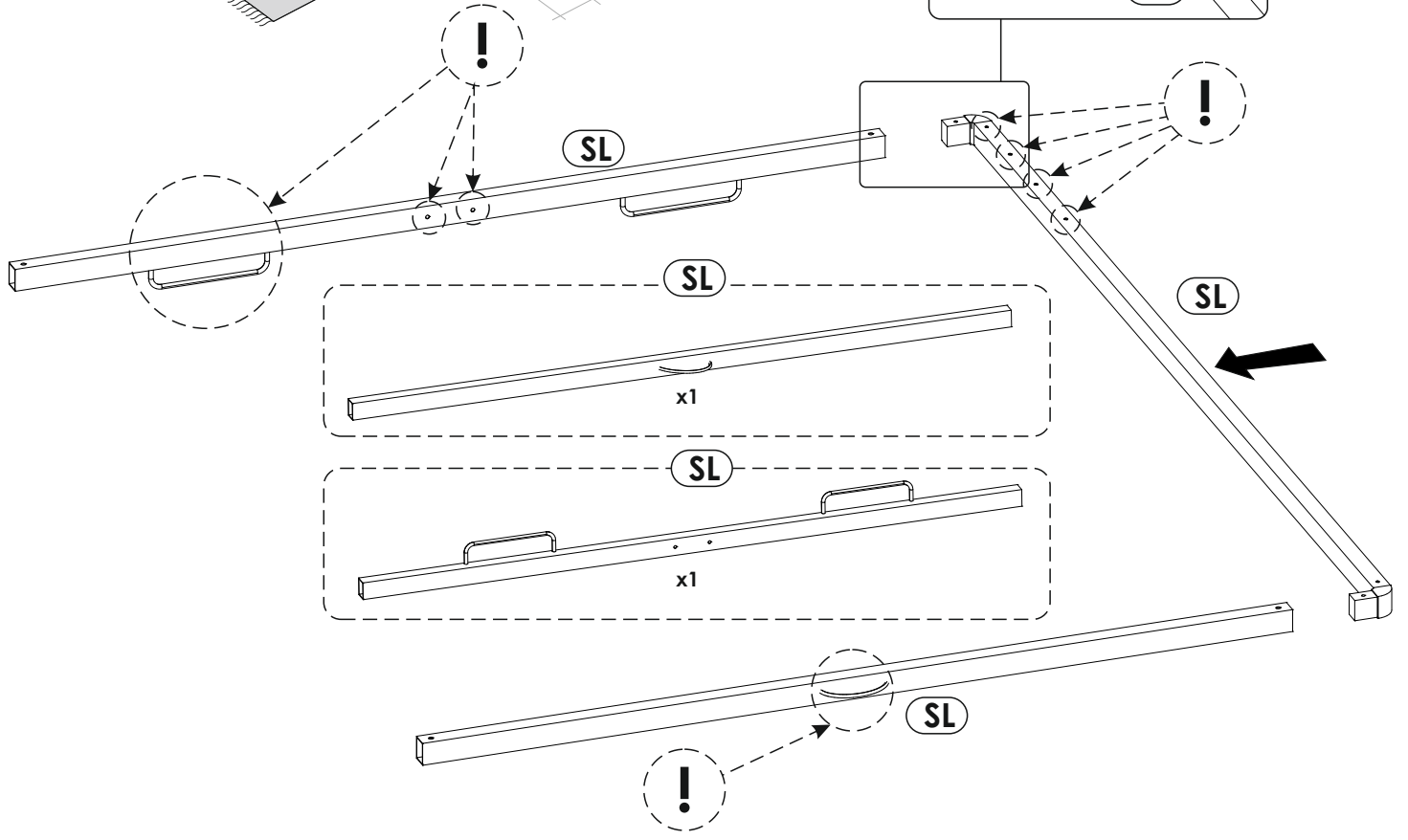
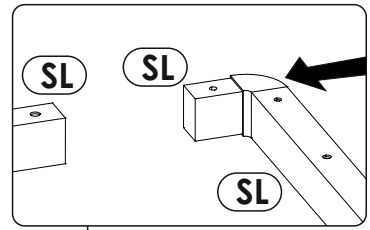
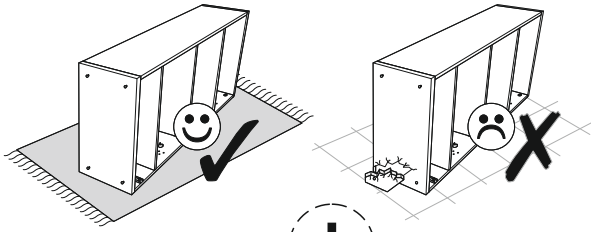
24 ▶



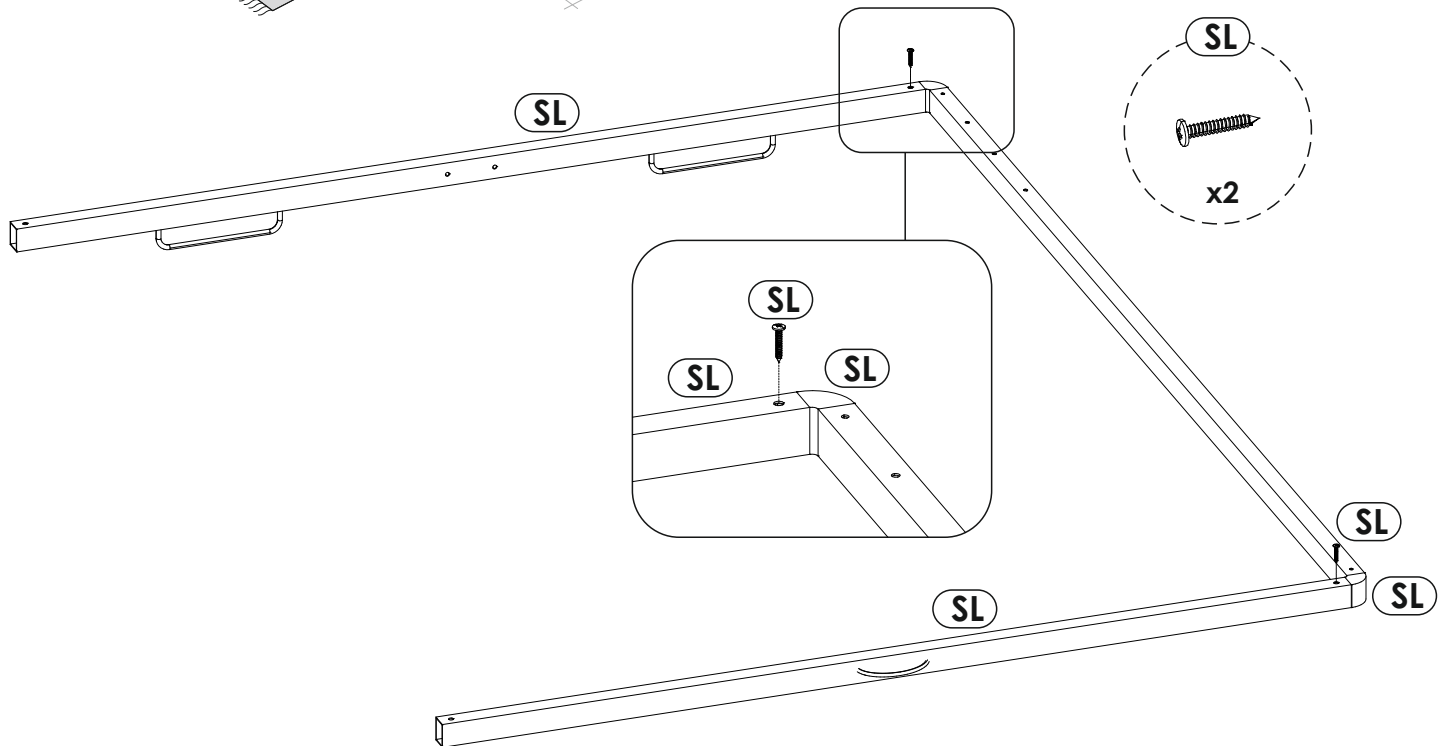
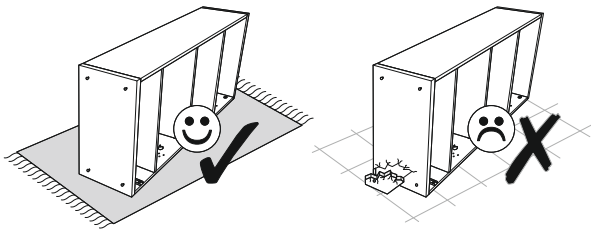
25 ▶

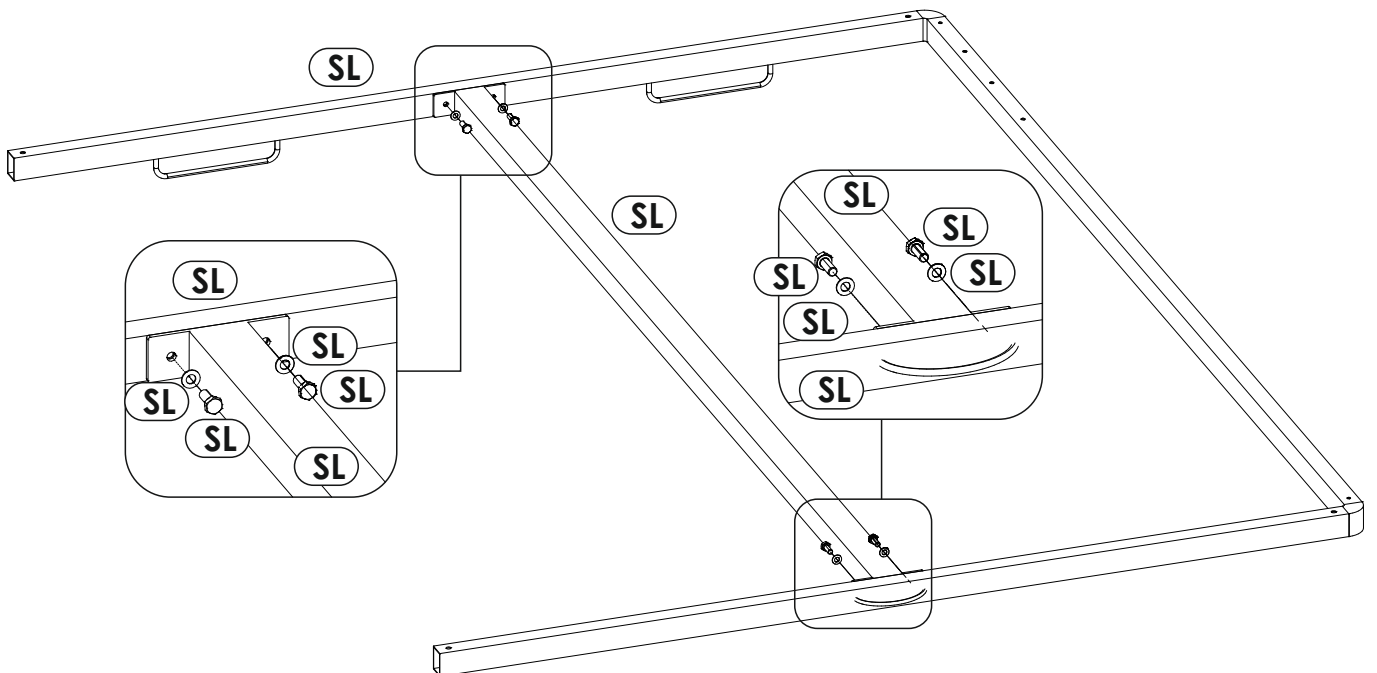
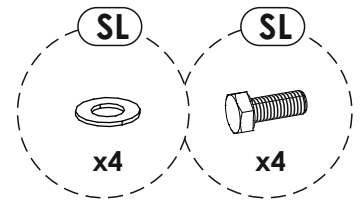
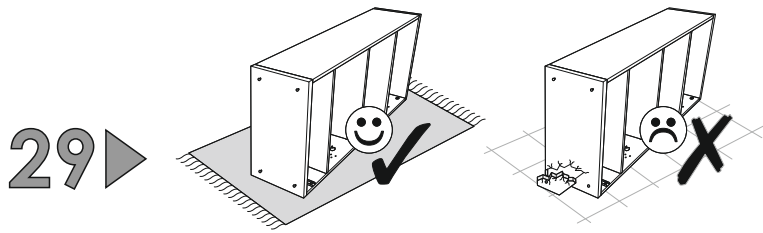
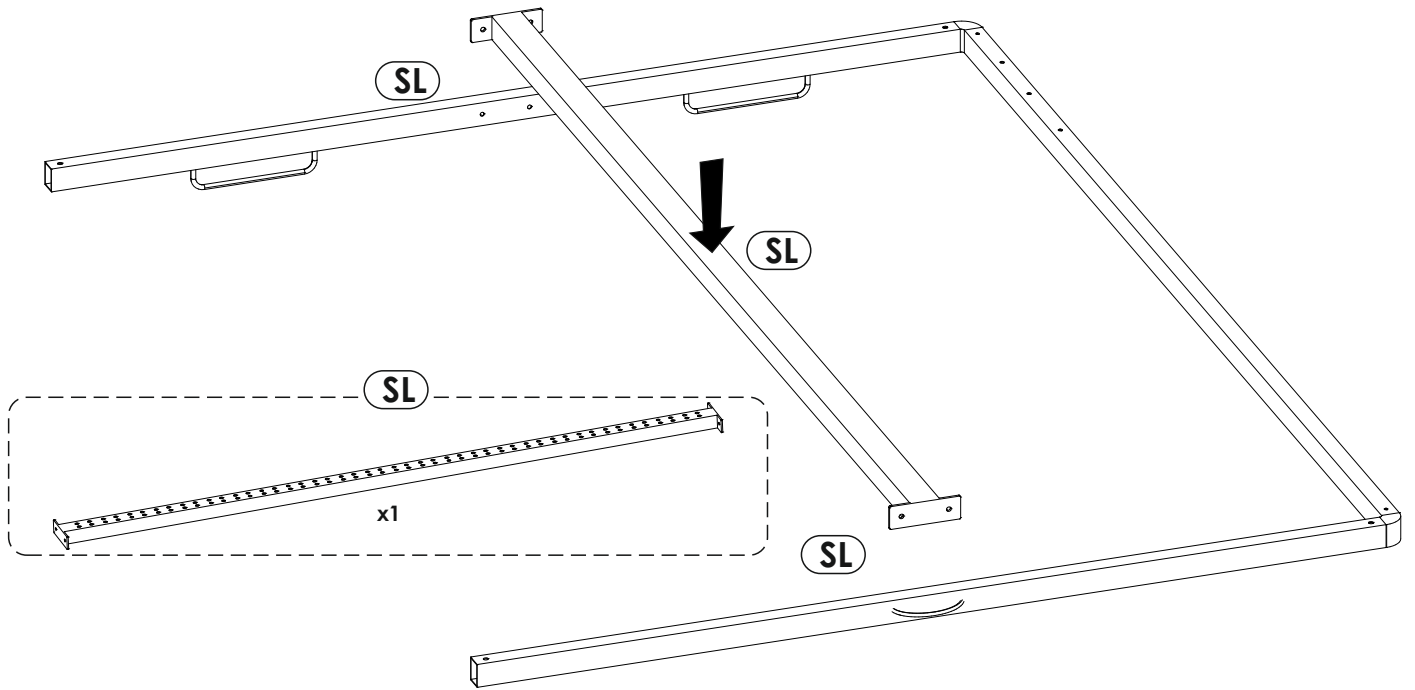
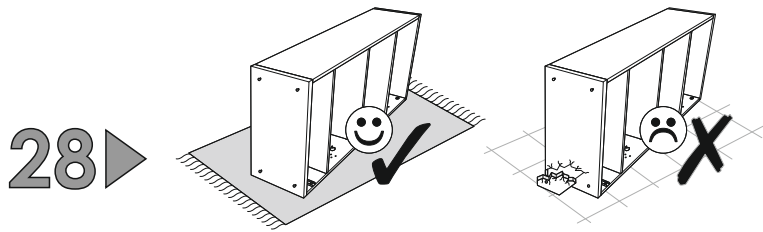


26 ▶

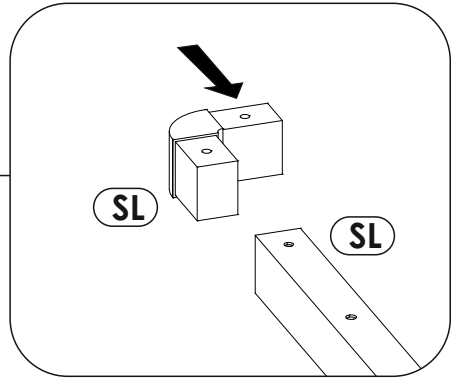
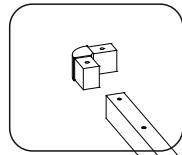
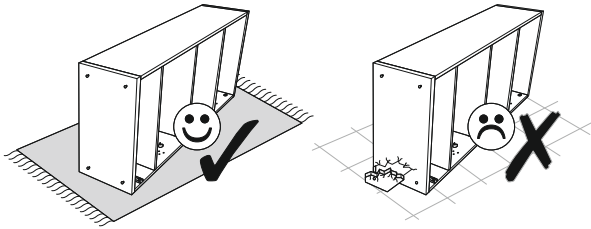


27 ▶

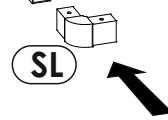
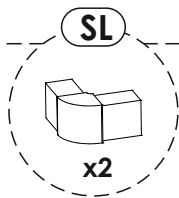
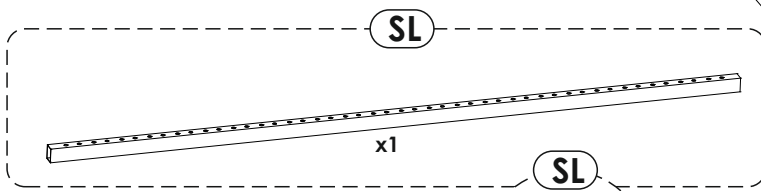




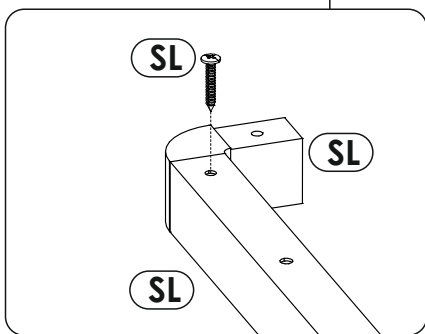
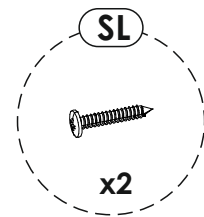
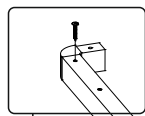
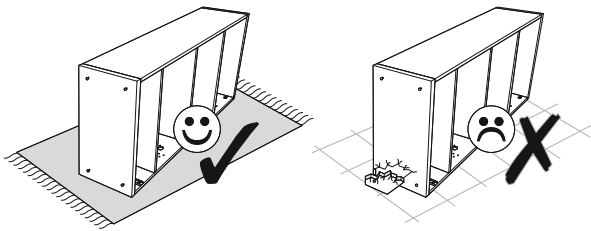
30 ▶▶



SL



31 ▶▶

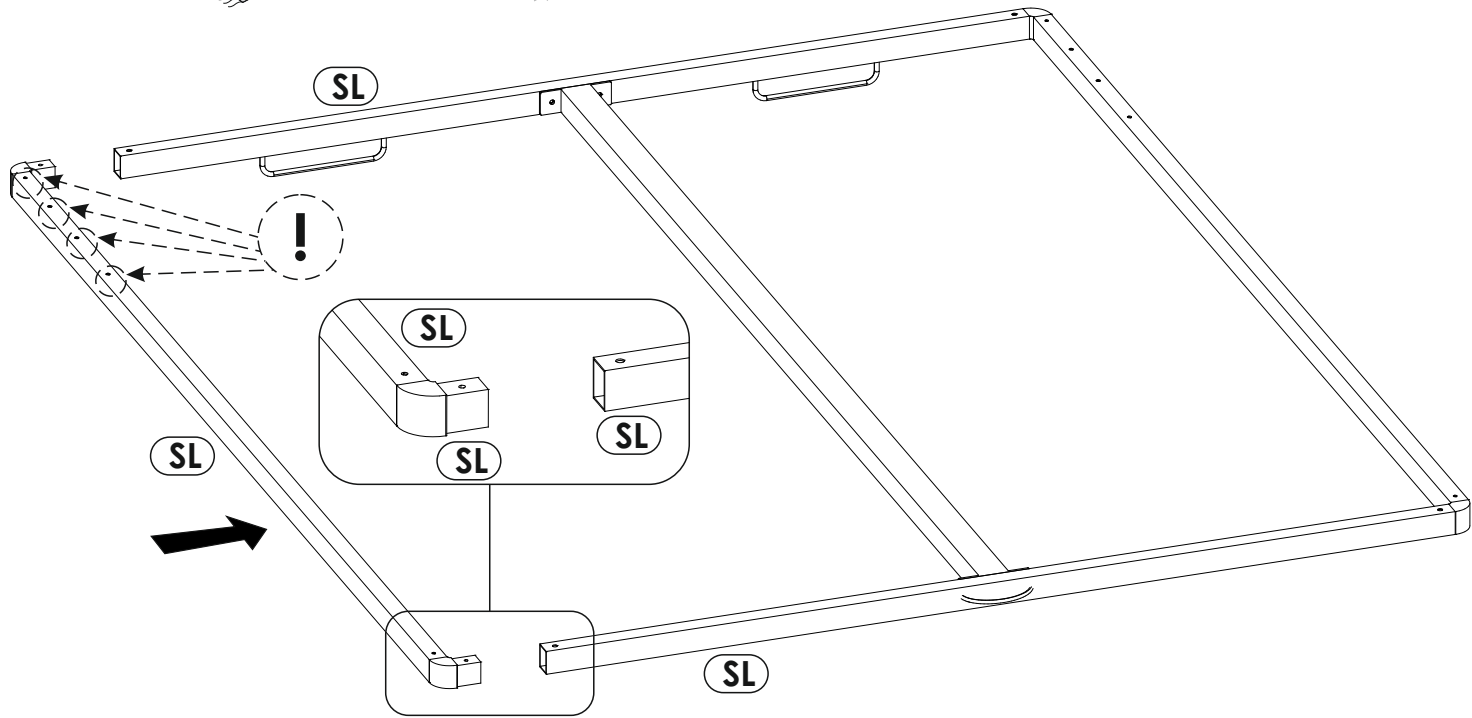
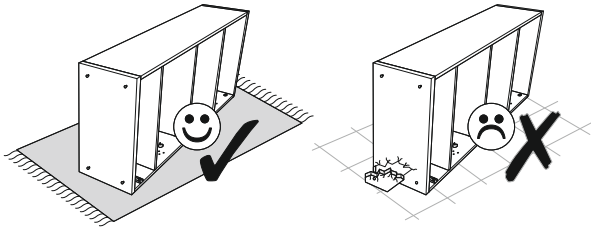


SL

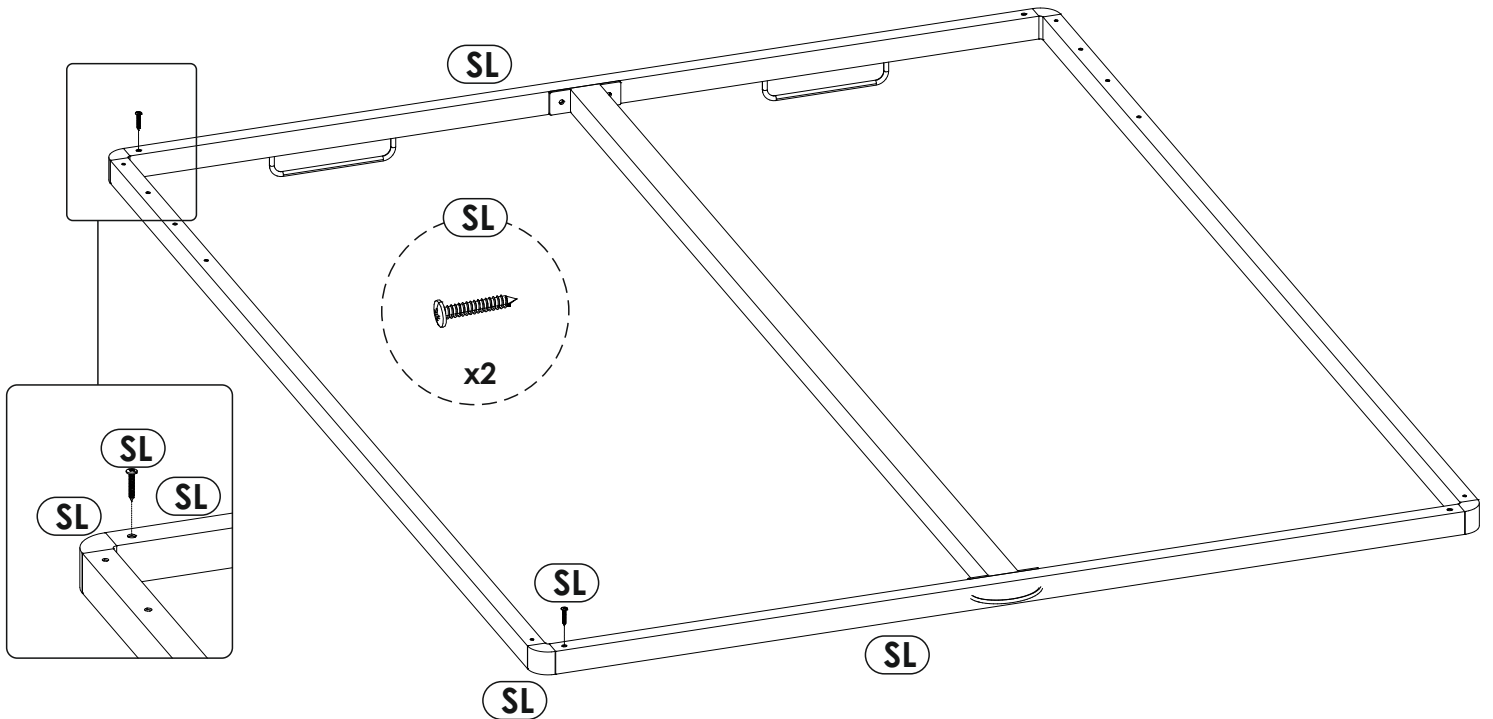
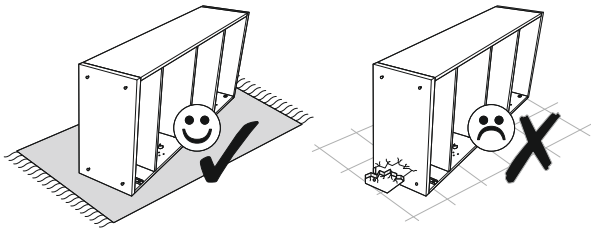
SL

SL

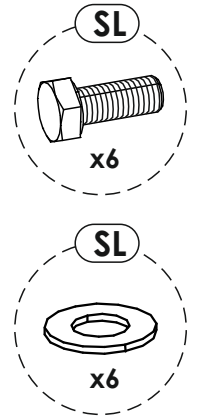
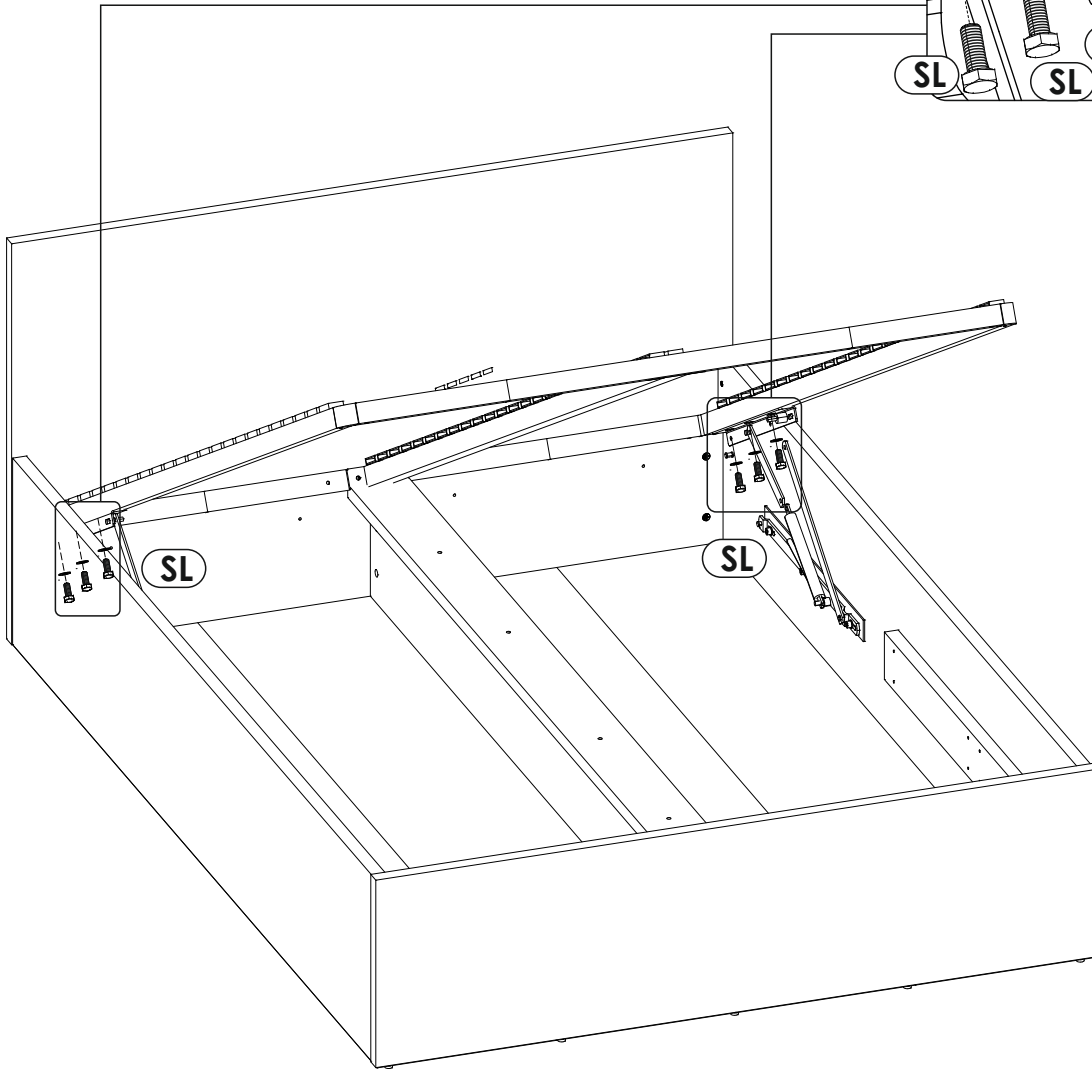
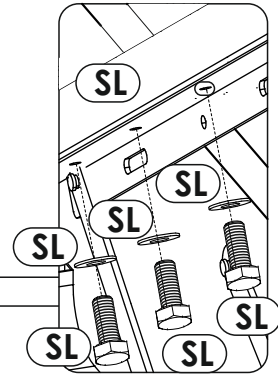
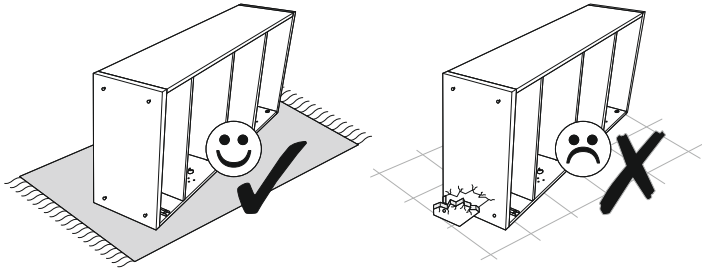
32 ▶



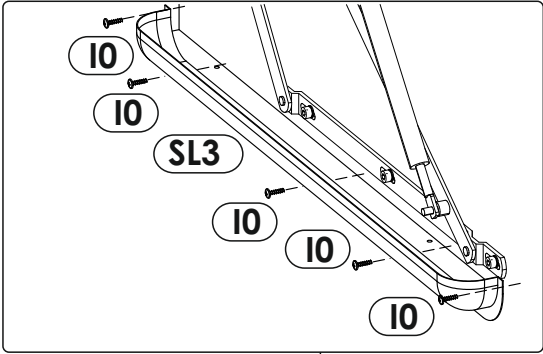
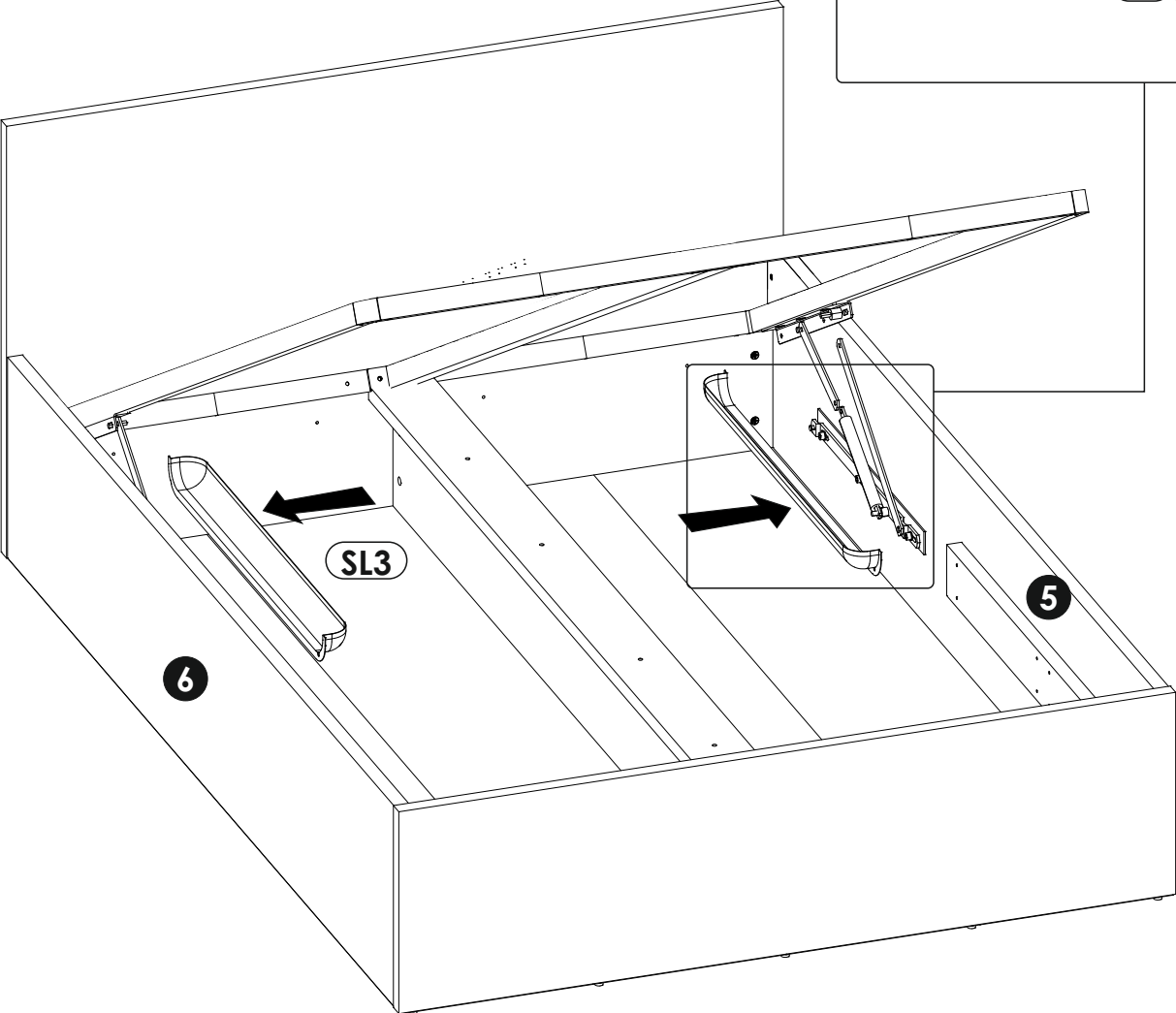
33 ▶

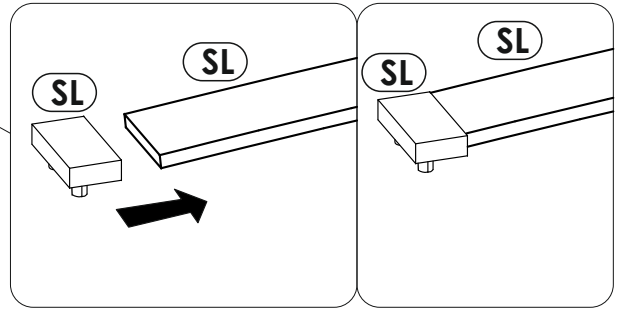
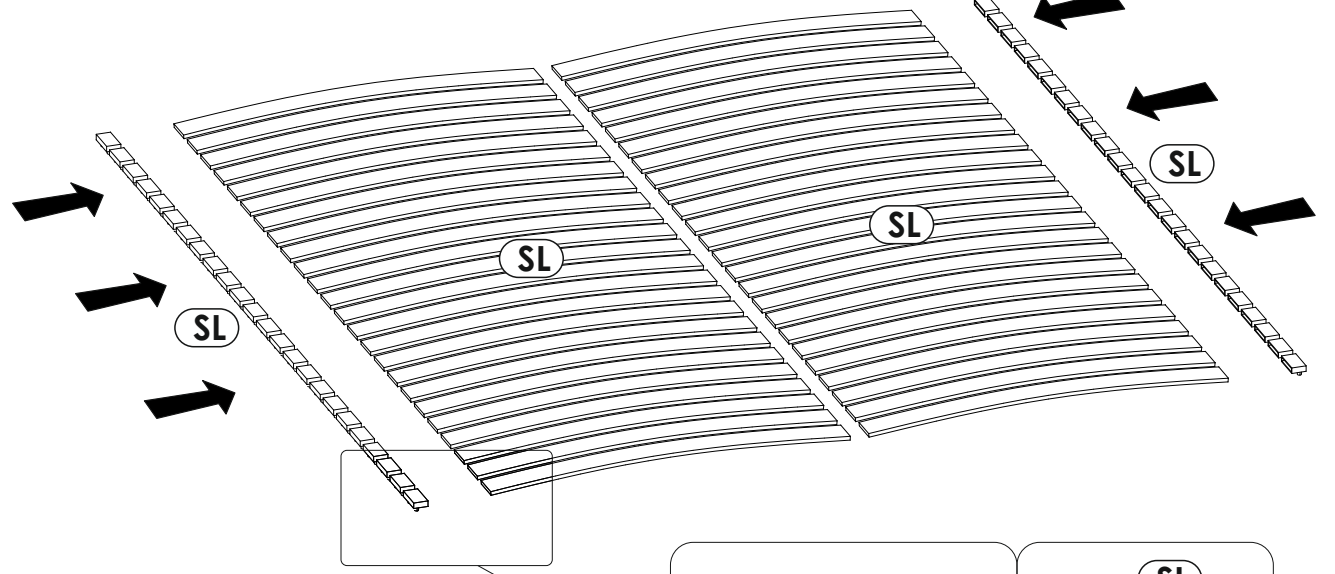
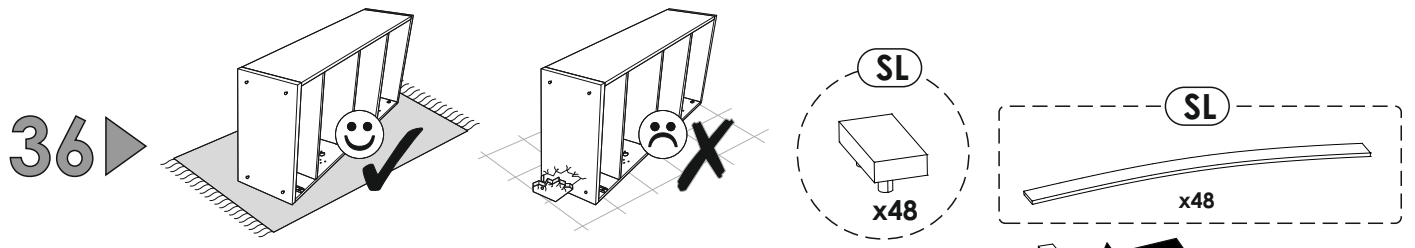


34▶

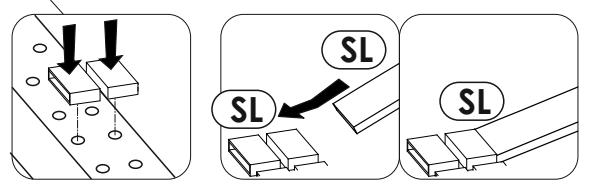
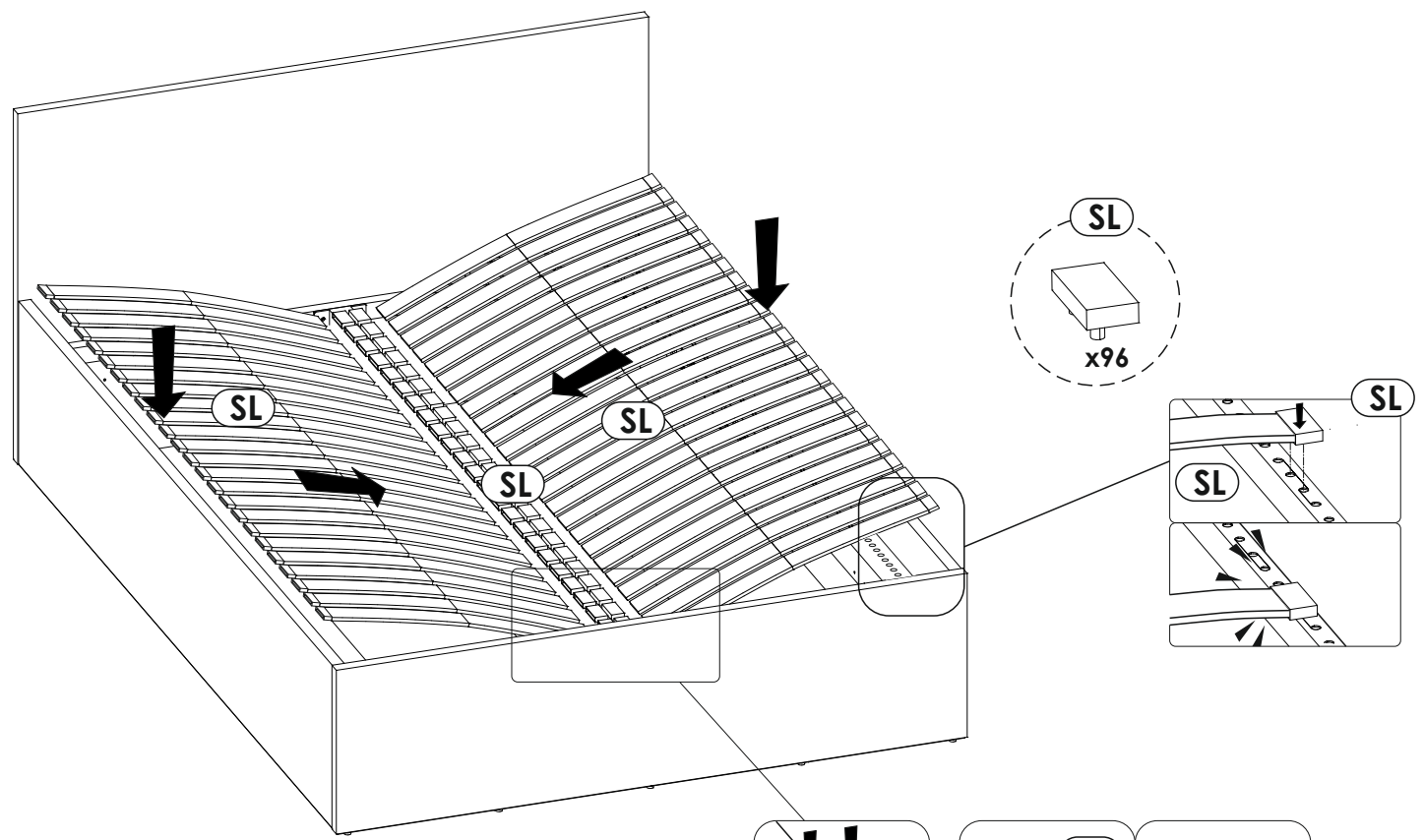


35 ▶

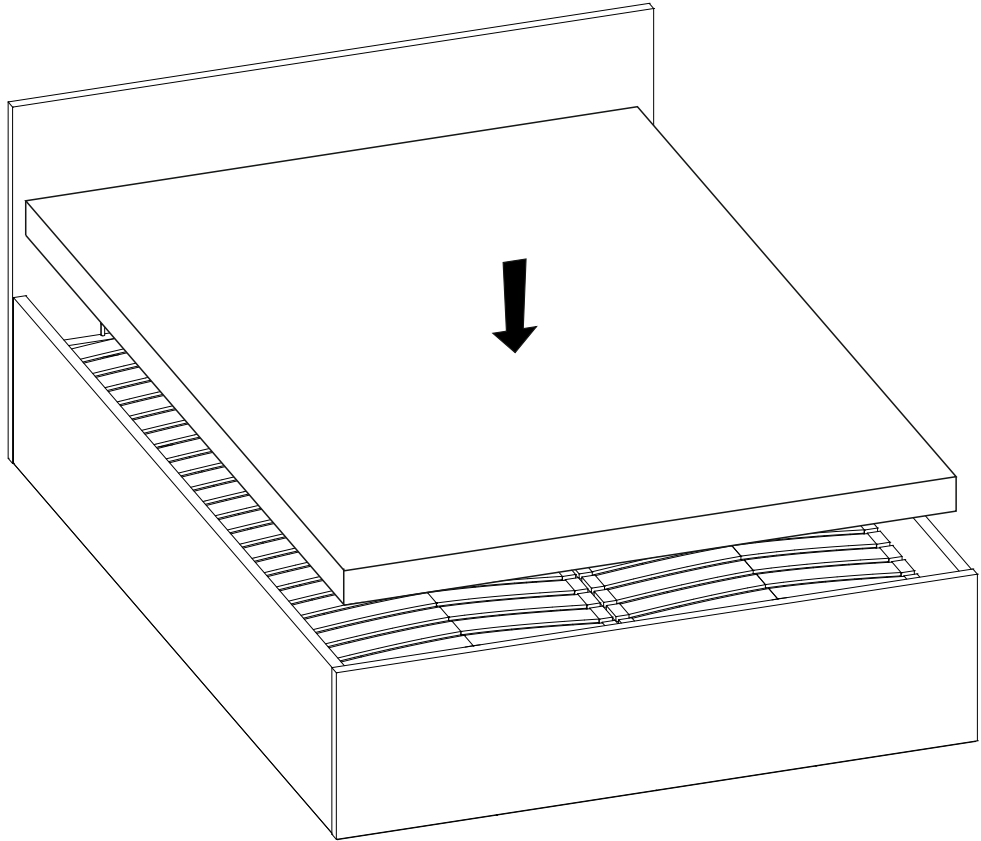




37 ▶



38 ▶



39 ▶

