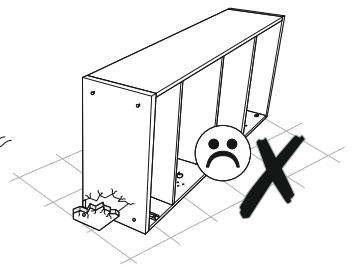
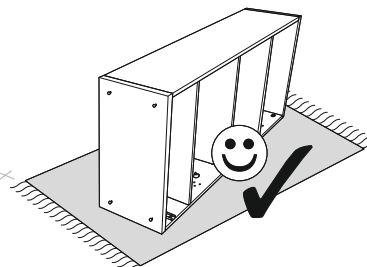
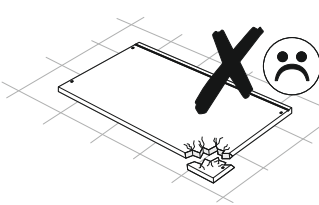
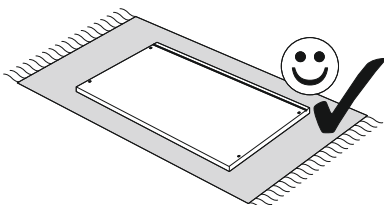
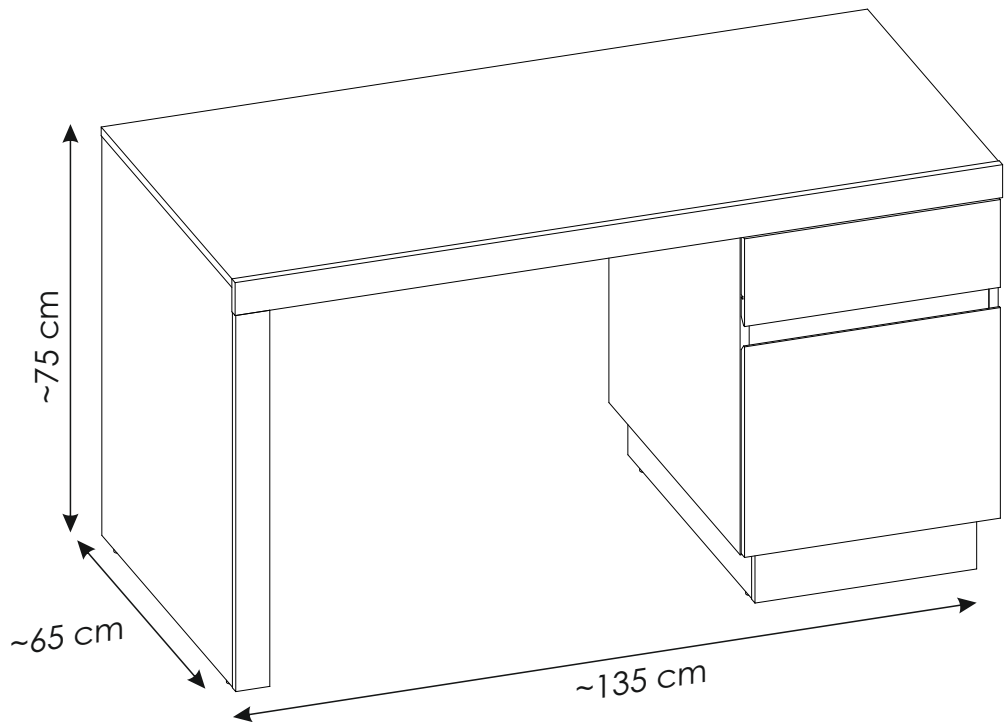
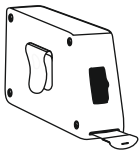
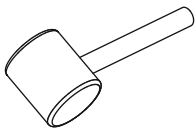
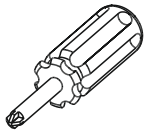
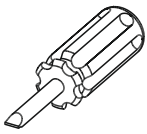
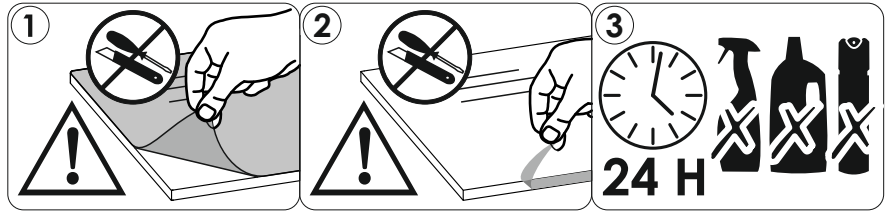
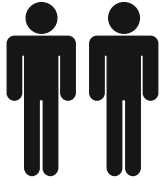


LYOB101



70 min

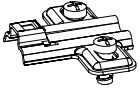




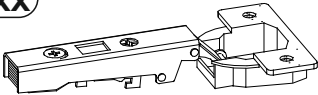


version A

BCxx

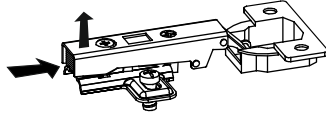


BCxx



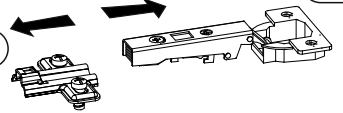
version B

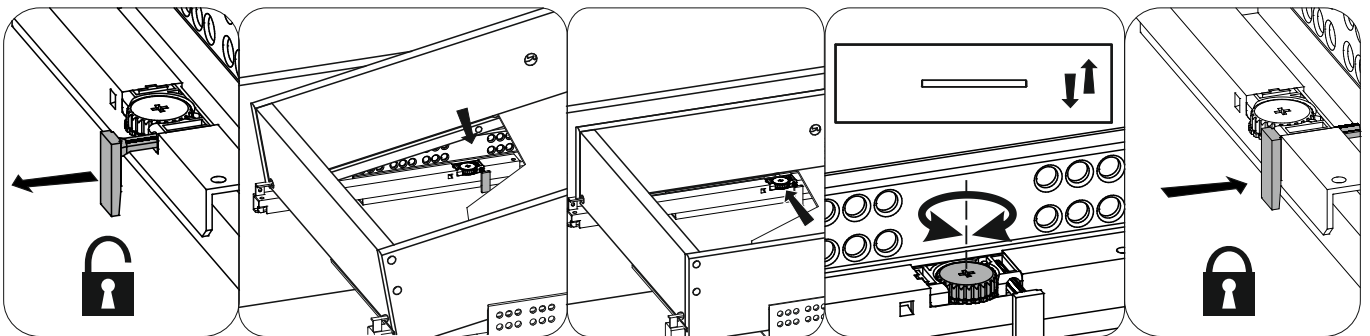
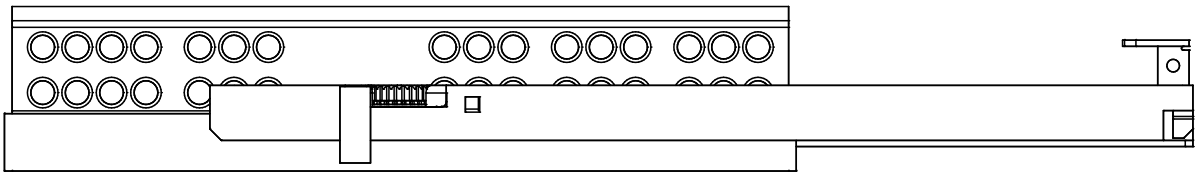
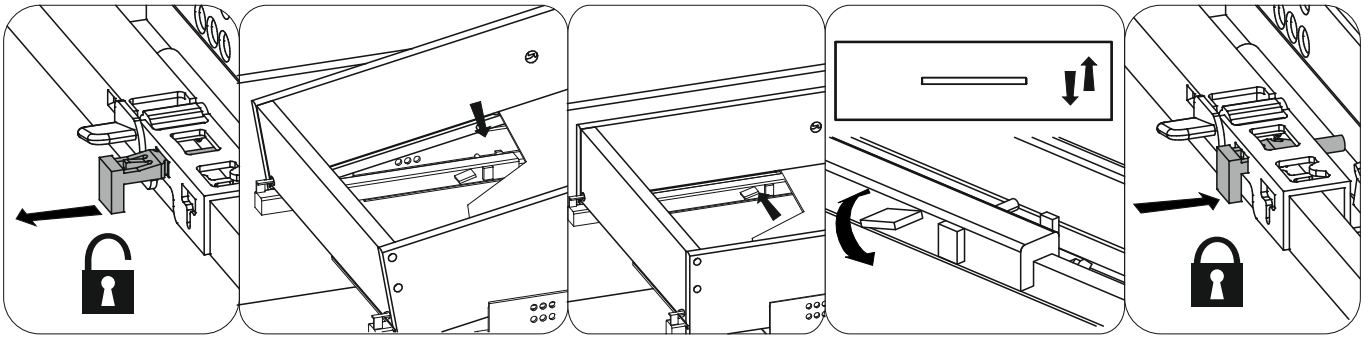
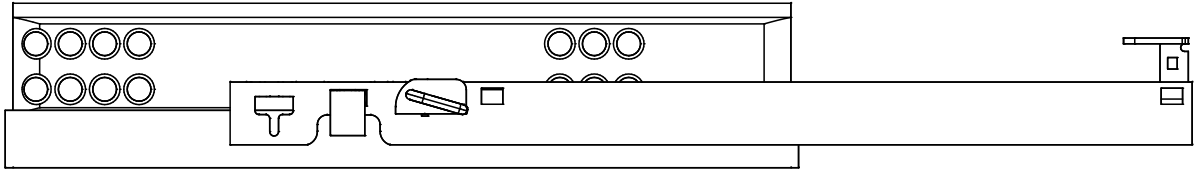
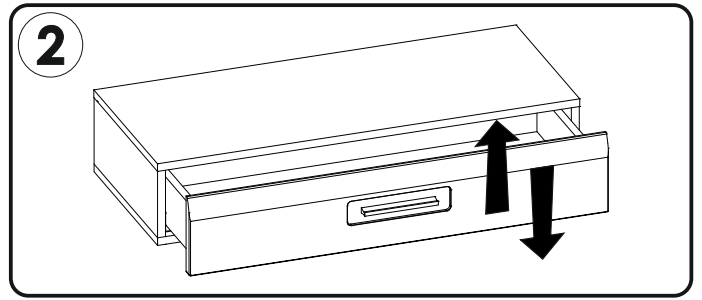
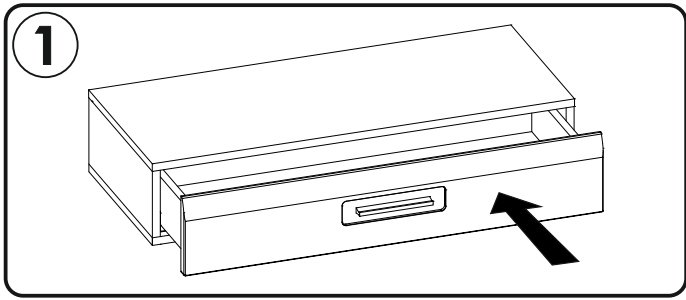
BCxx + BCxx



BCxx

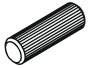

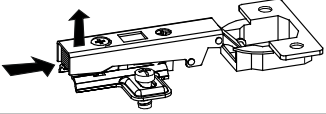


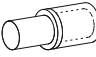
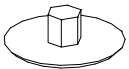

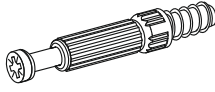

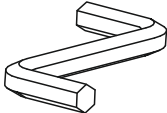
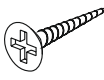
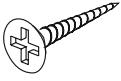
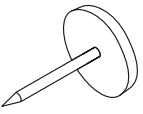
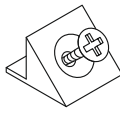
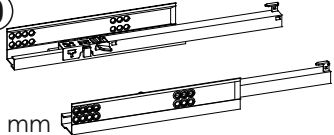
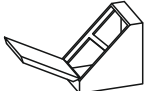
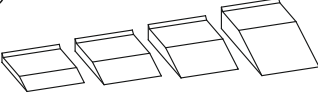
BCxx

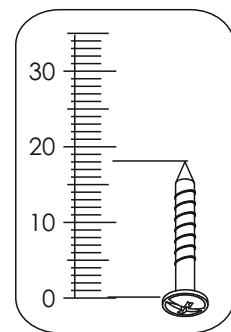
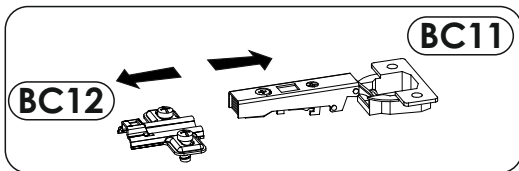




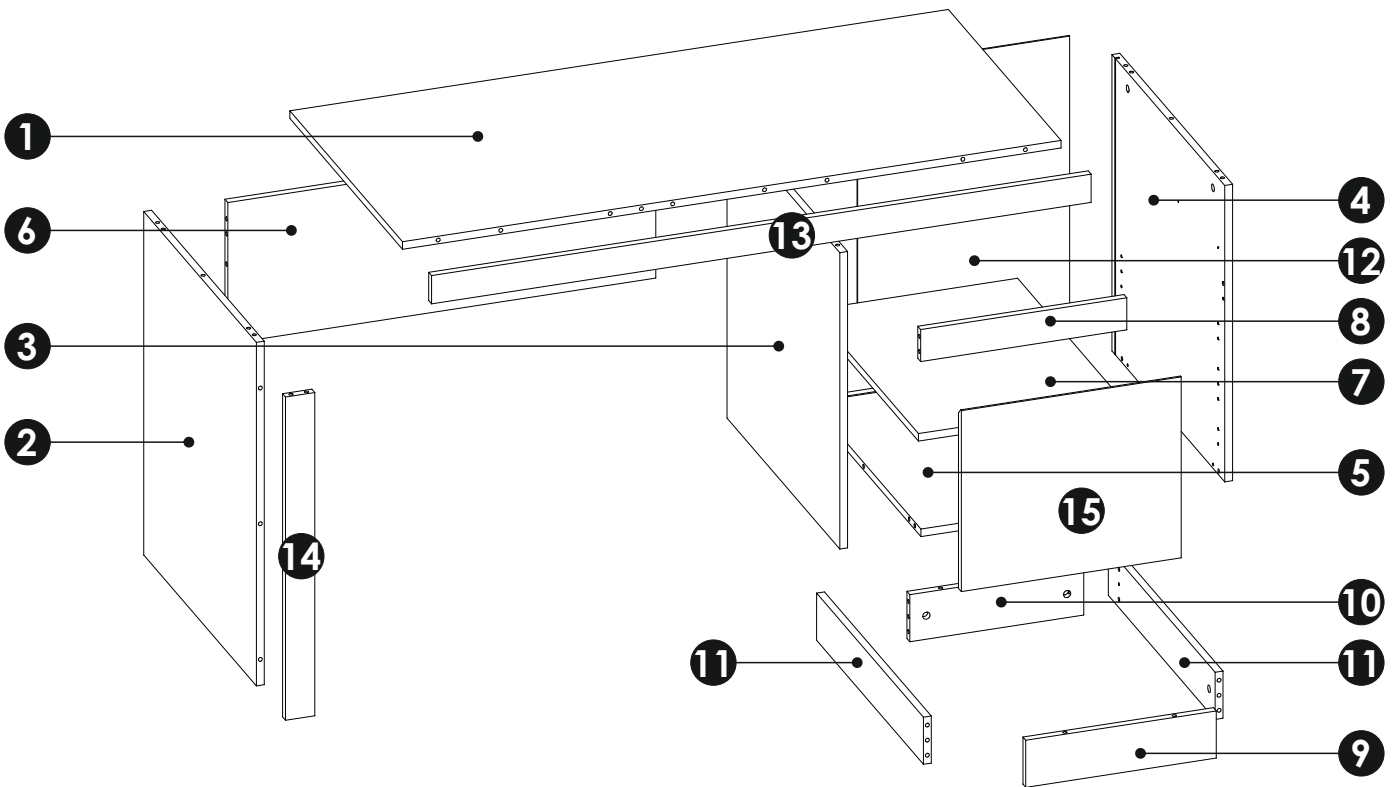
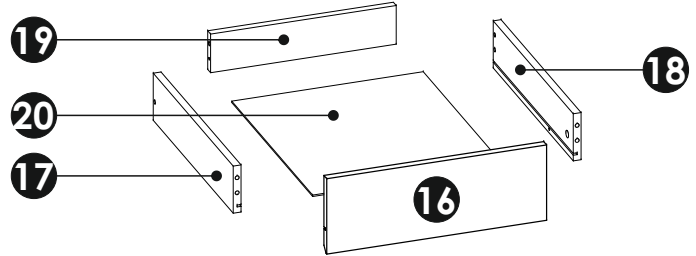
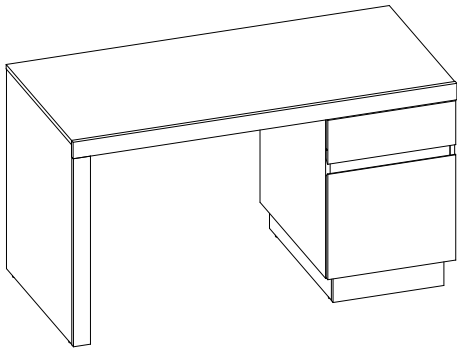
LYOB101

MM

<p>A1 8 x 35 mm x42</p> 	<p>A2 8 x 45 mm x2</p> 	<p>BC12 + BC11 x2</p> 
<p>C1 4 x 13 mm x4</p> 	<p>C2 5 x 13 mm x4</p> 	<p>D2 x4</p> 
<p>E0 Ø16 x16</p> 	<p>E1 15 x 12 mm x31</p> 	<p>F1 6 x 34 mm x31</p> 
<p>G1 7 x 50 mm x2</p> 	<p>M x1</p> 	<p>N1 3 X 16 mm x5</p> 
<p>N2 3.5 X 16 mm x12</p> 	<p>O2 x6</p> 	<p>R4 x9</p> 
<p>T10 x1 L- 460 mm</p> 	<p>W x6</p> 	<p>Z x1</p> 



LYOB101

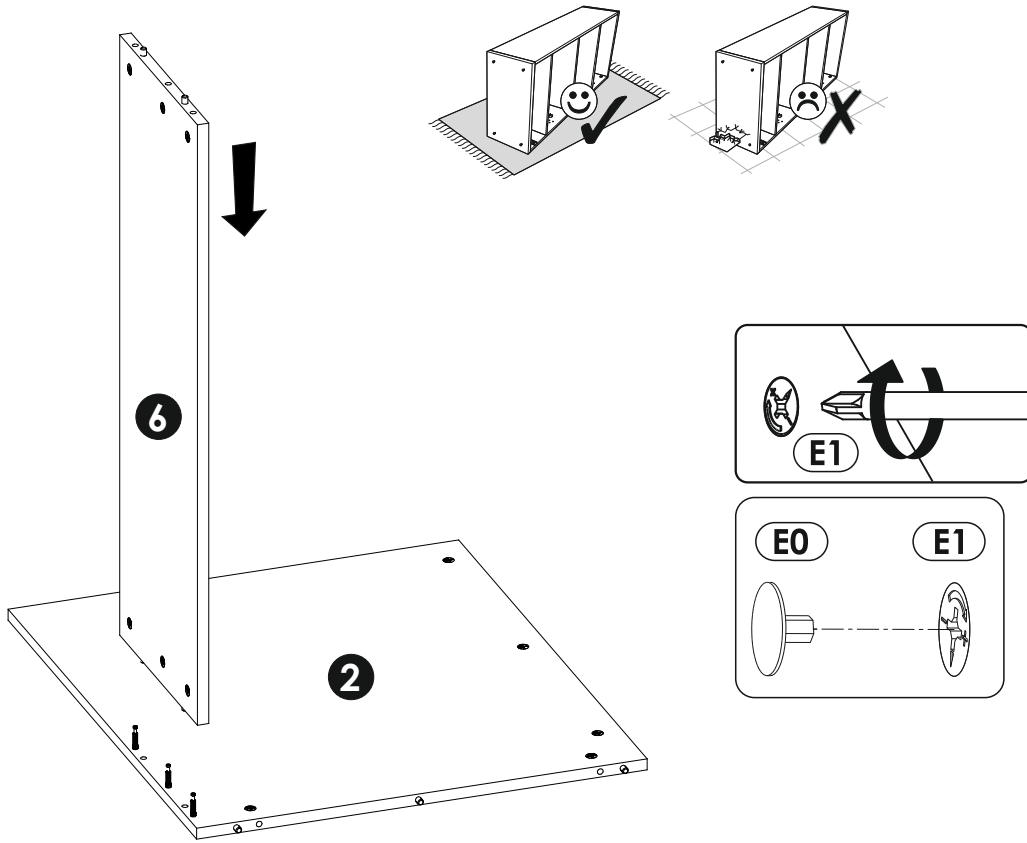


1	1348	634	16	x1	2/2
2	729	634	16	x1	2/2
3	629	634	16	x1	2/2
4	629	634	16	x1	2/2
5	422	634	16	x1	2/2
6	876	300	16	x1	1/2
7	421	599	16	x1	1/2
8	422	68	16	x1	1/2

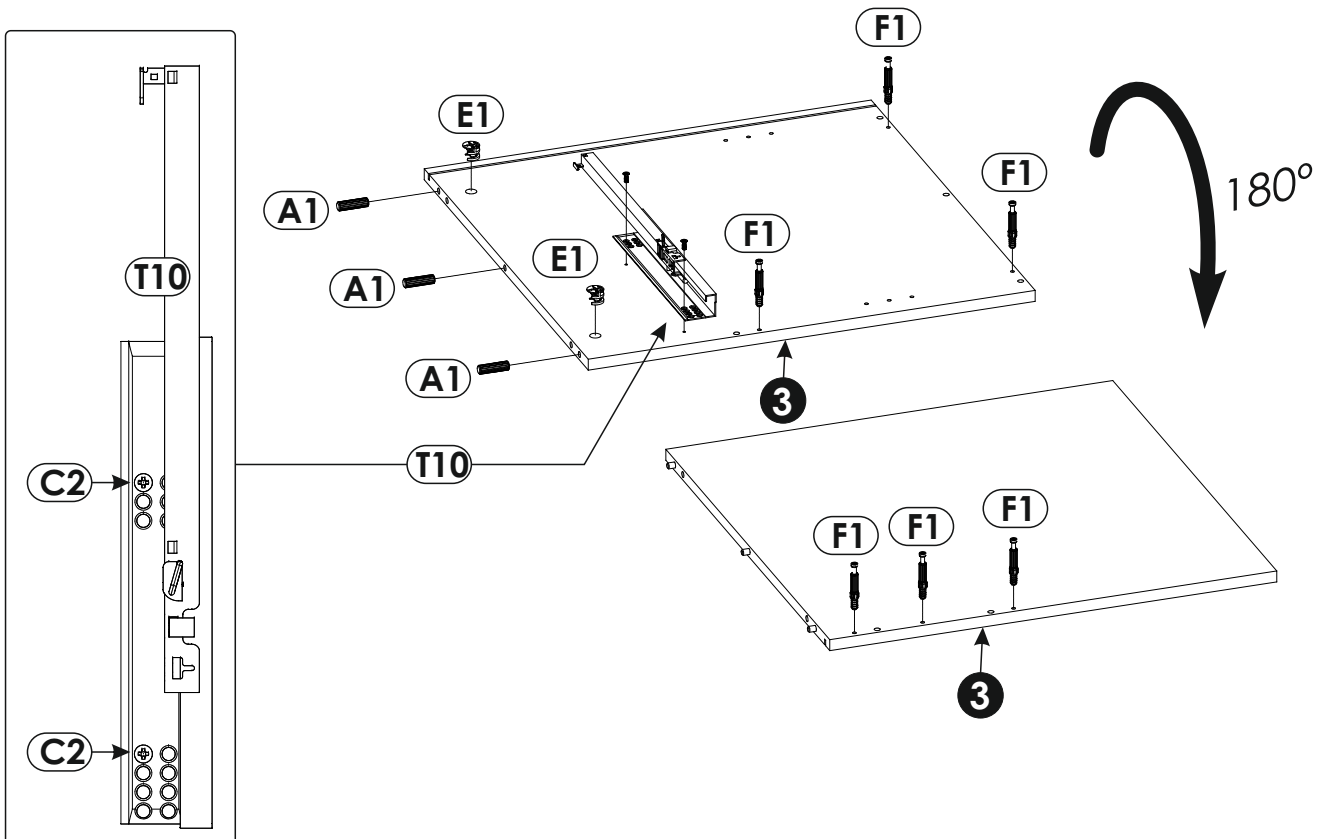
9	390	100	16	x1	1/2
10	356	100	16	x1	1/2
11	601	100	16	x2	2/2
12	625	434	3	x1	1/2
13	1350	60	16	x1	2/2
14	686	60	16	x1	1/2
15	450	384	16	x1	1/2
16	450	160	16	x1	1/2

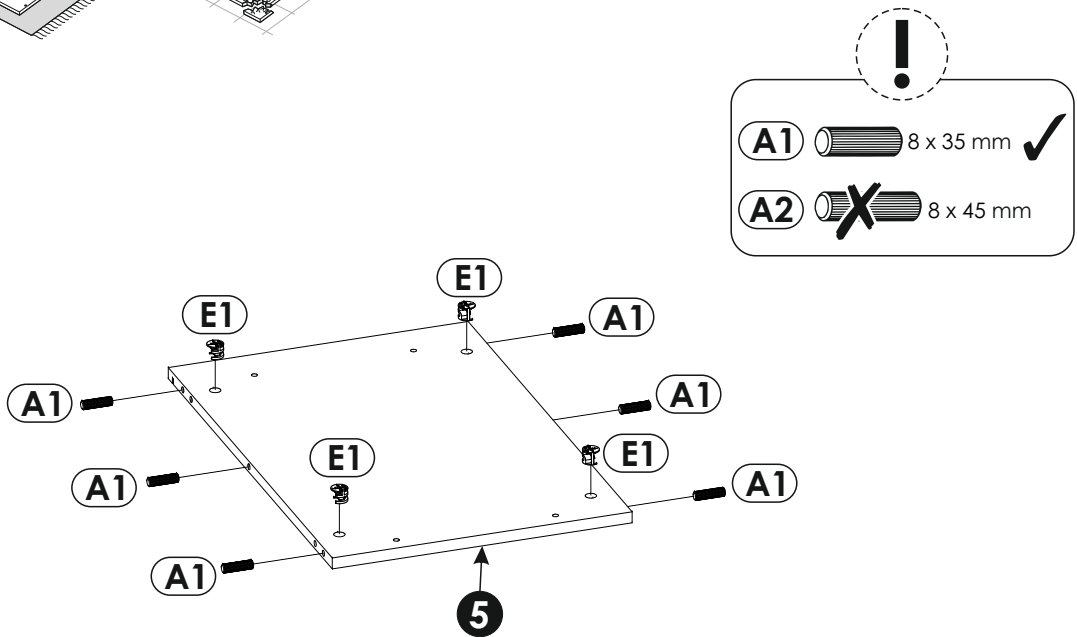
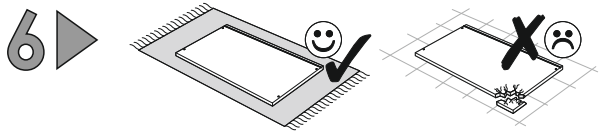
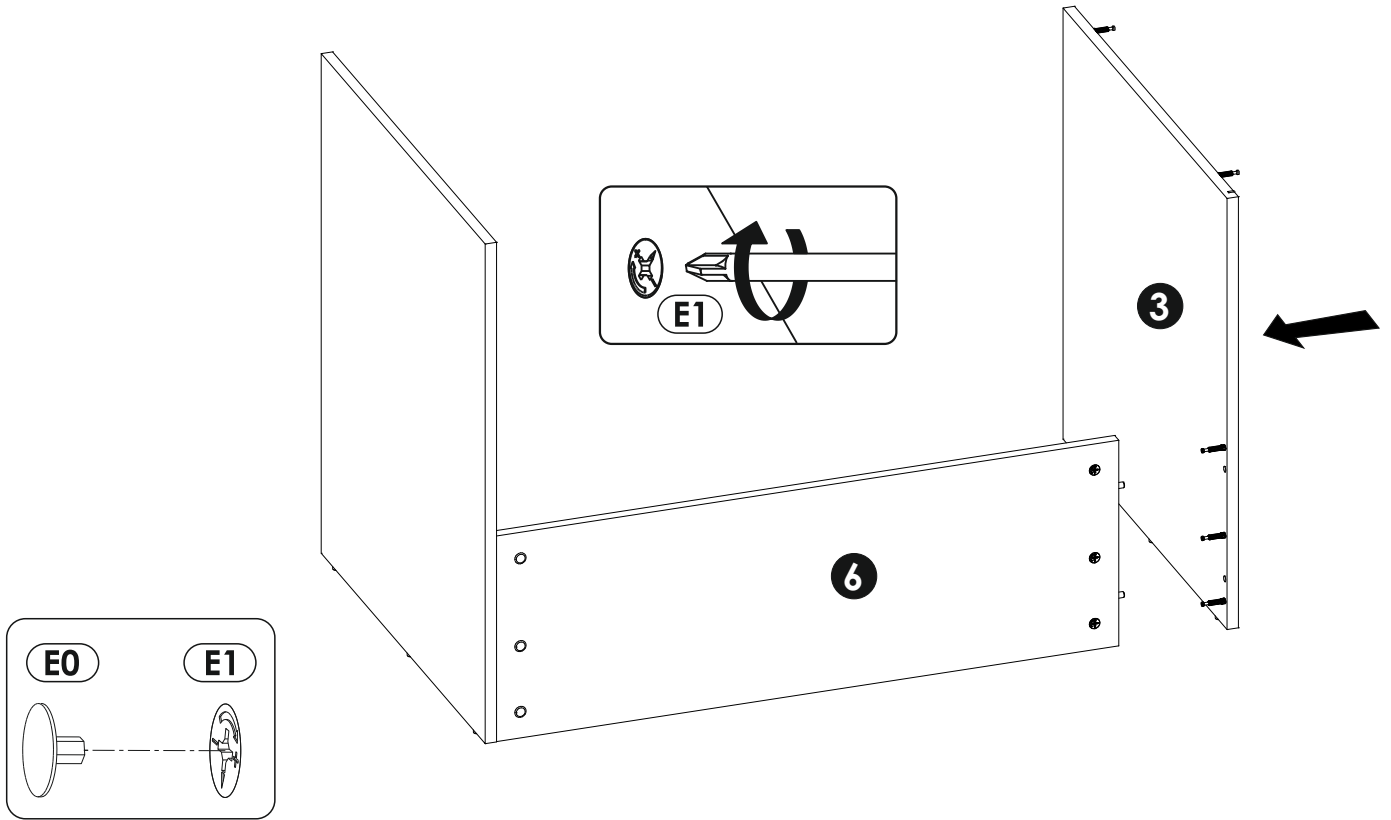
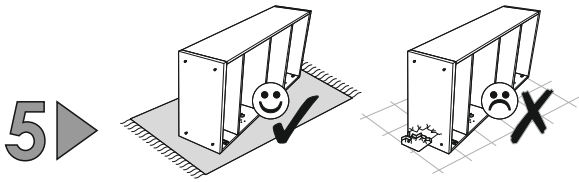
17	450	100	16	x1	1/2
18	450	100	16	x1	1/2
19	380	82	16	x1	1/2
20	392	455	3	x1	1/2

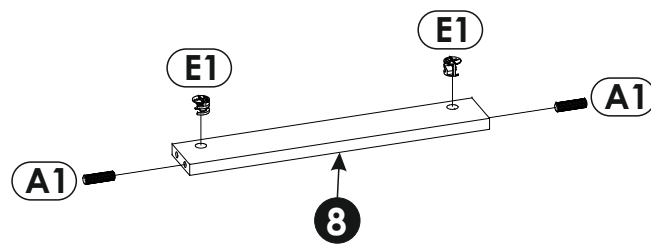
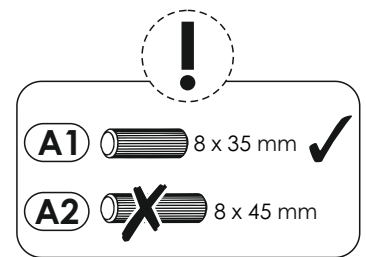
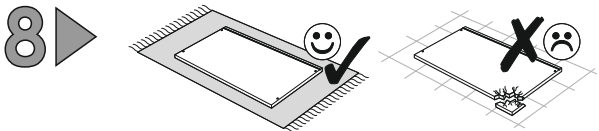
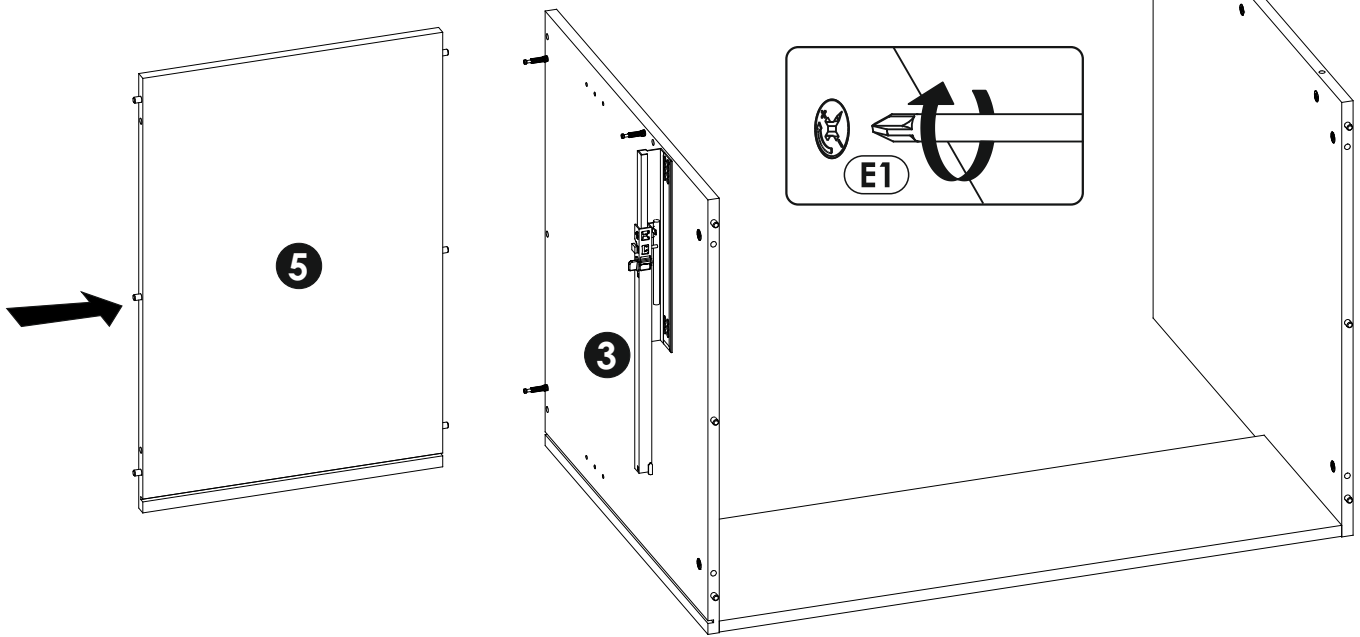
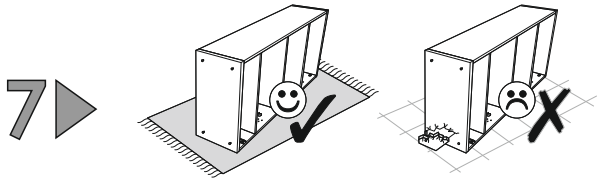
3 ▶

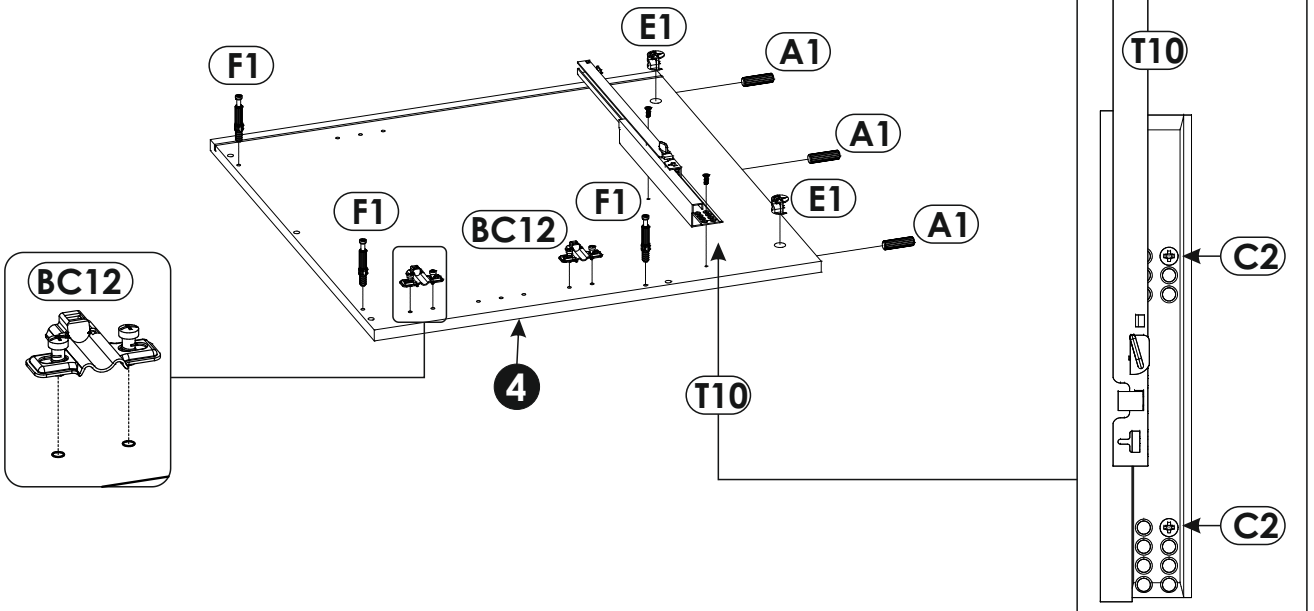
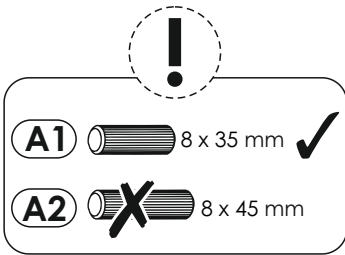
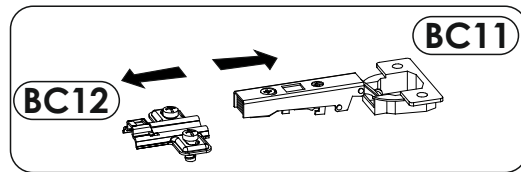
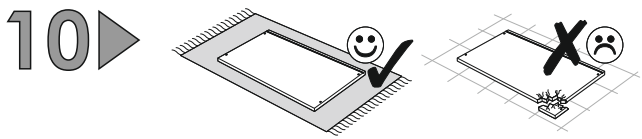
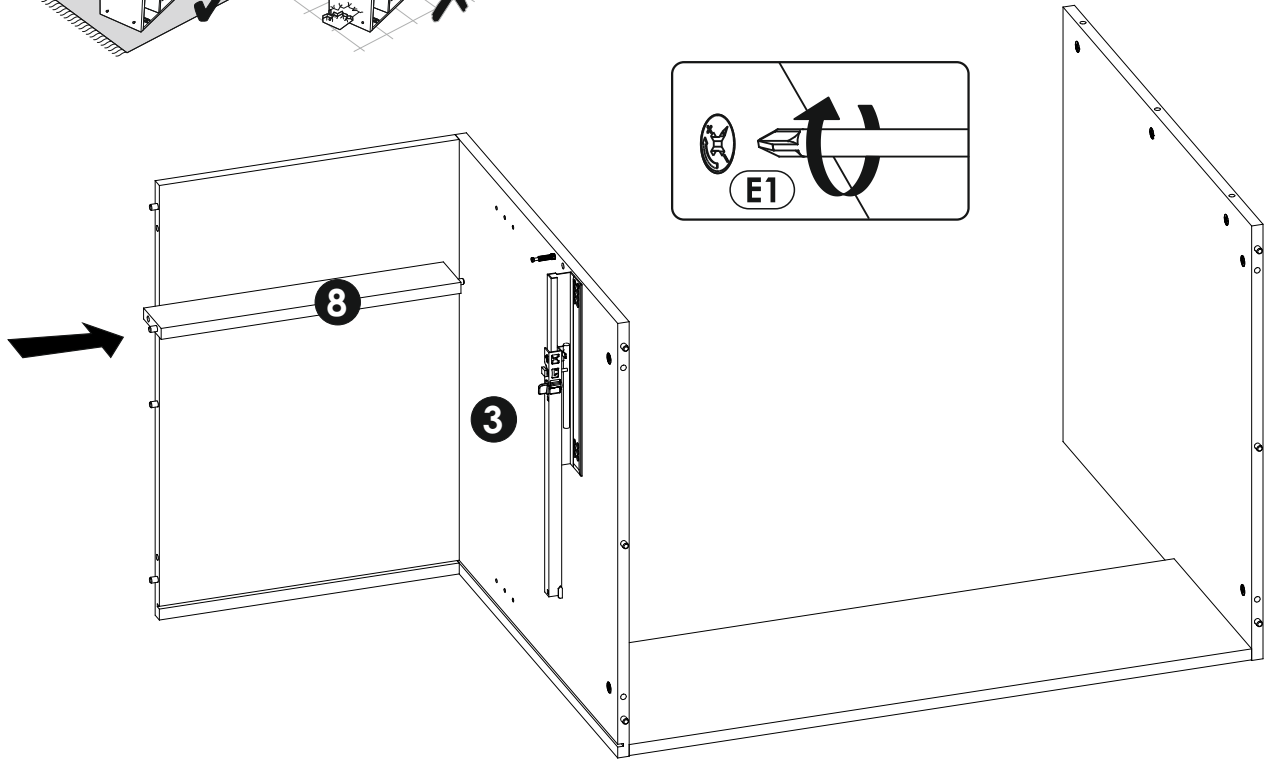
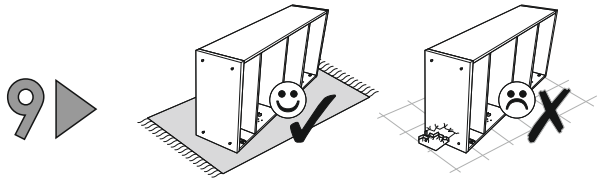


4 ▶

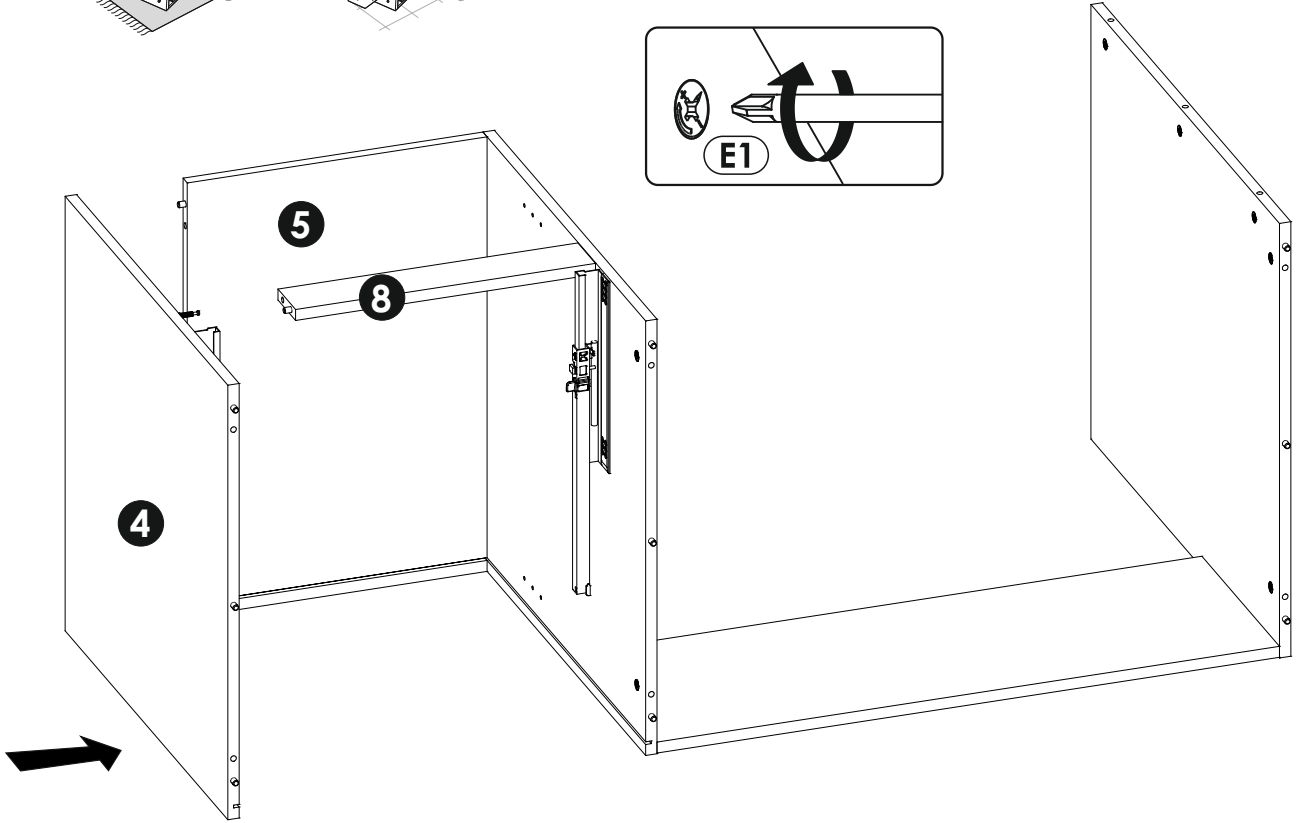
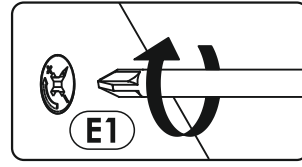
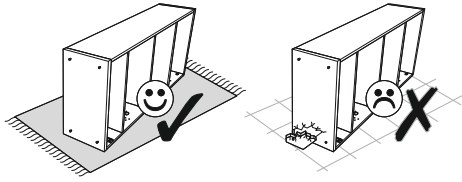




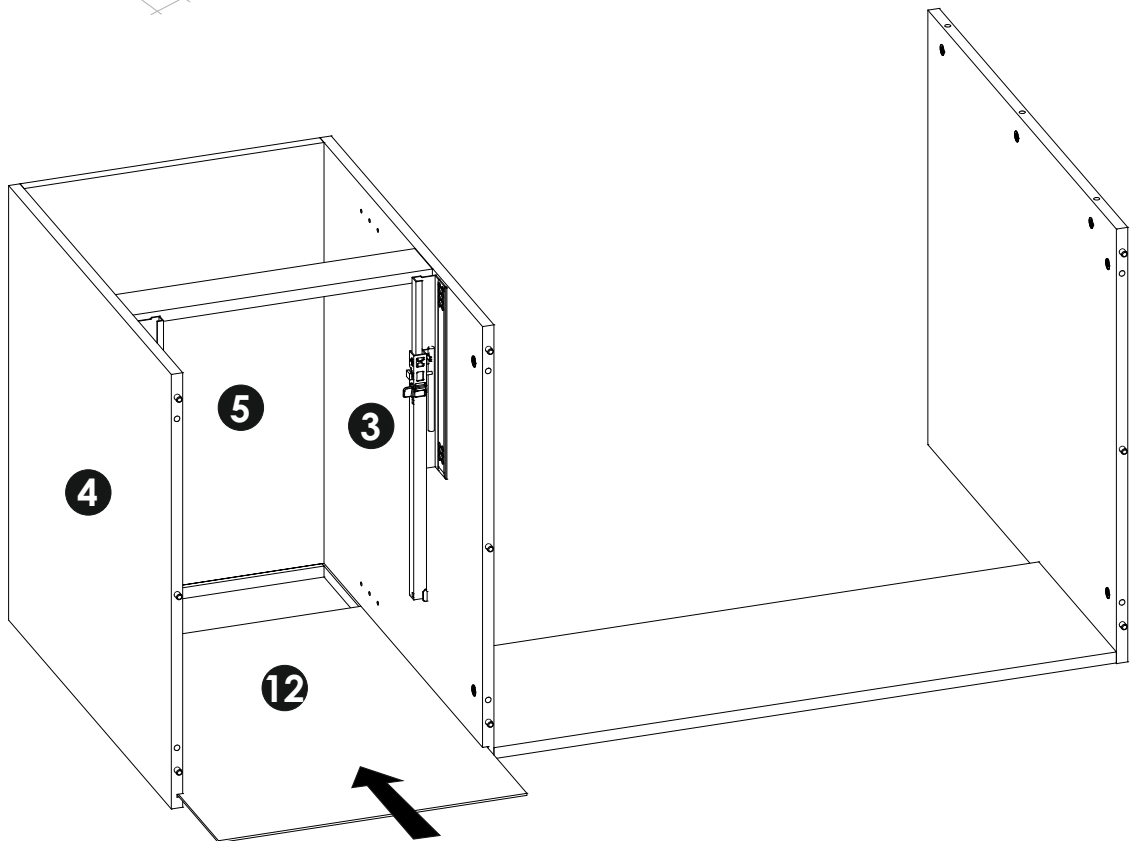
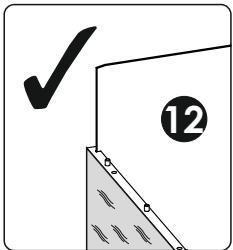
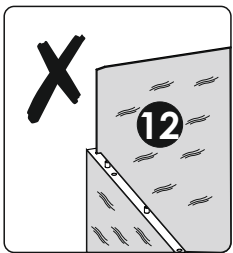
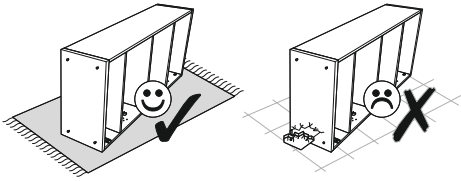




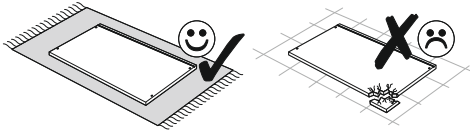
11 ▶



12 ▶



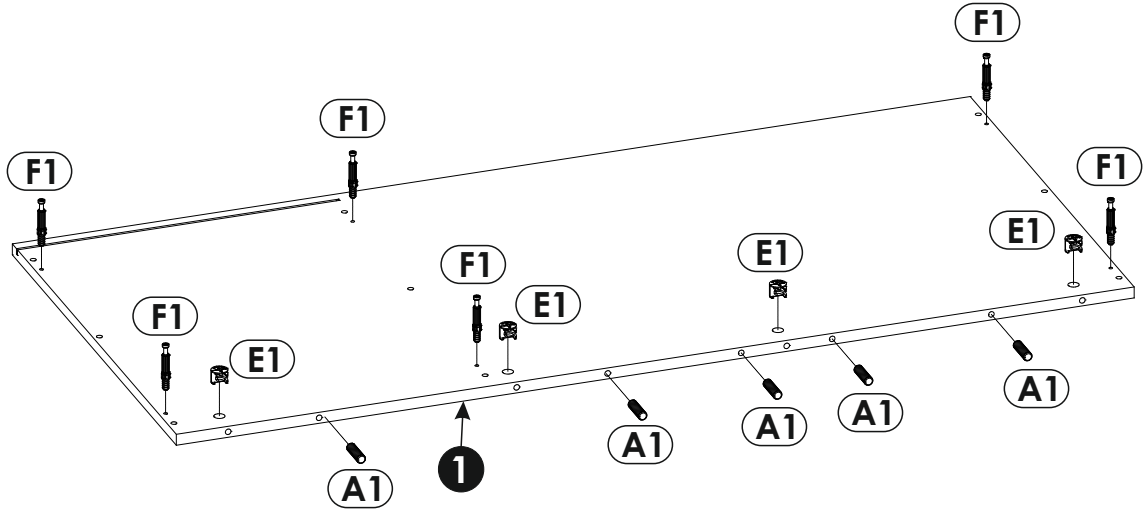
13 ▶



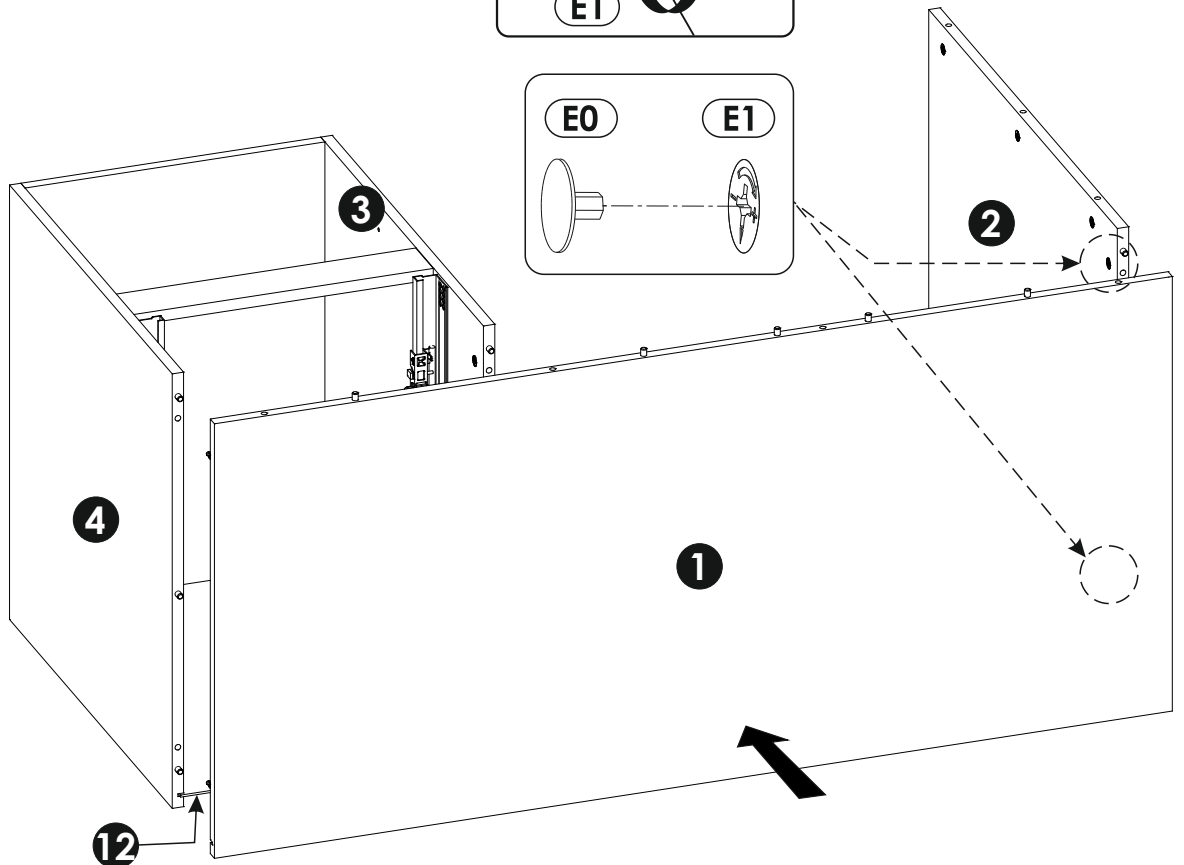
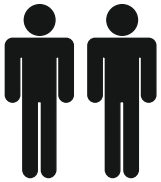
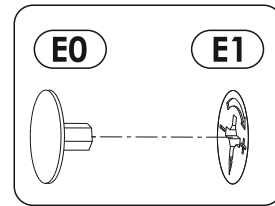
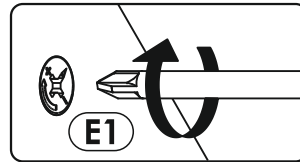
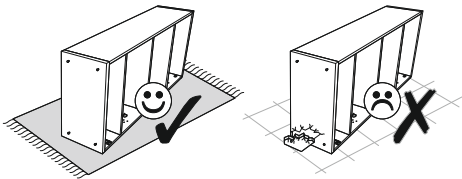
!

A1 8 x 35 mm ✓

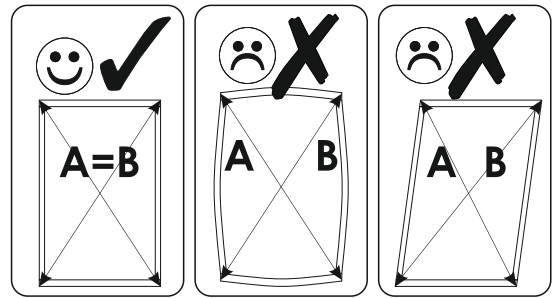
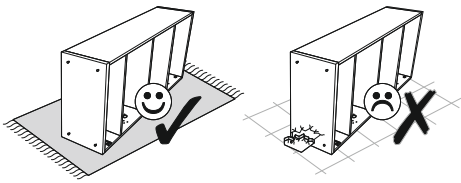
A2 8 x 45 mm



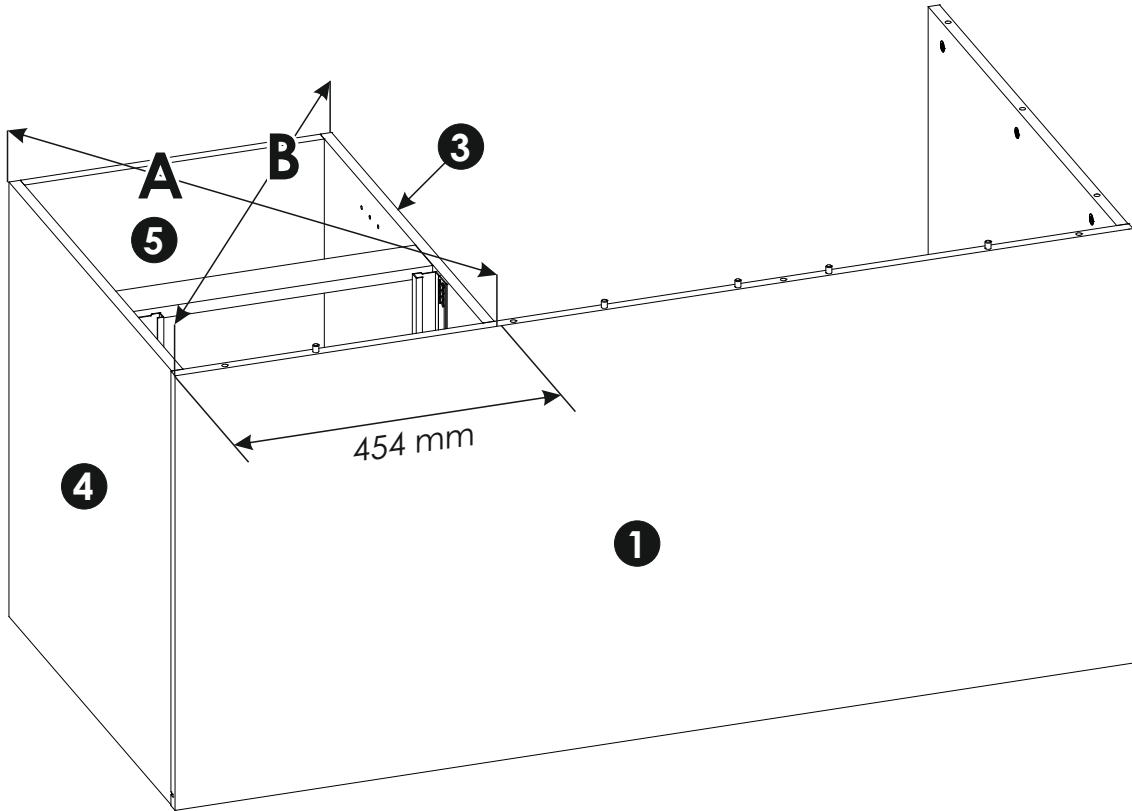
14 ▶



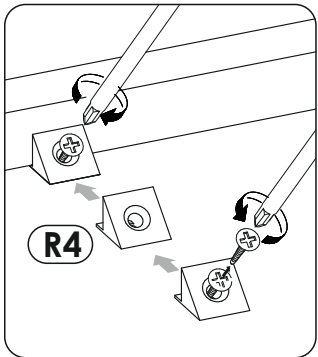
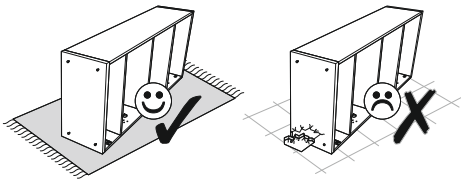
15 ▶



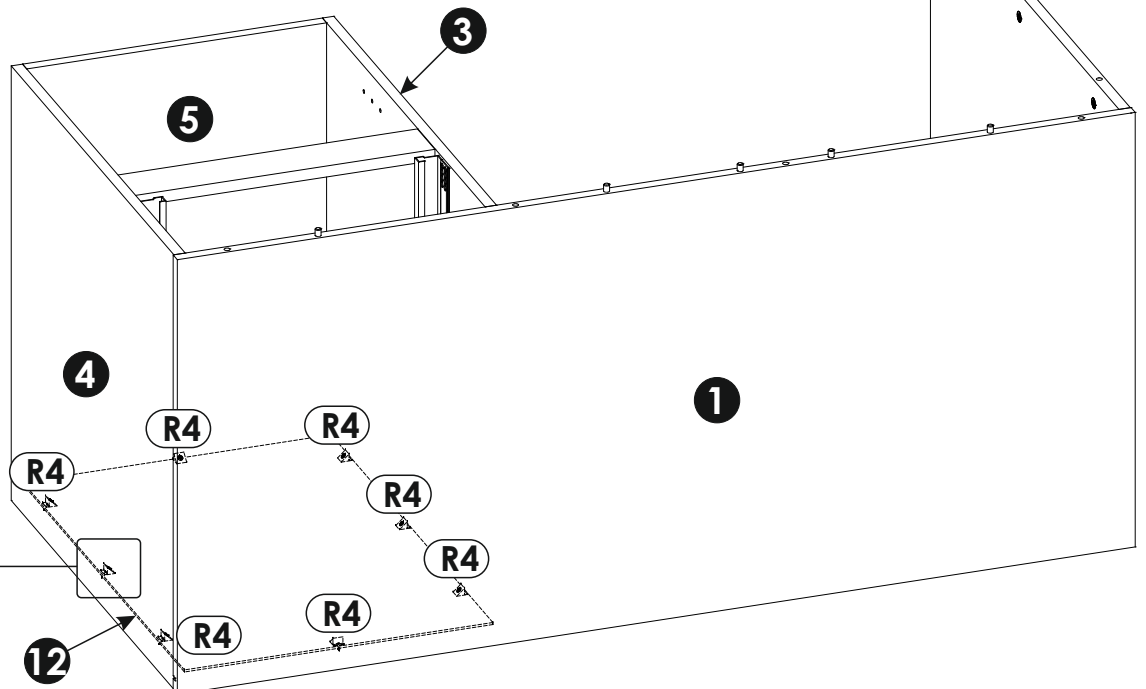
A=B



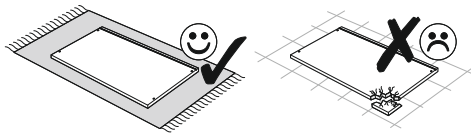
16 ▶




x8




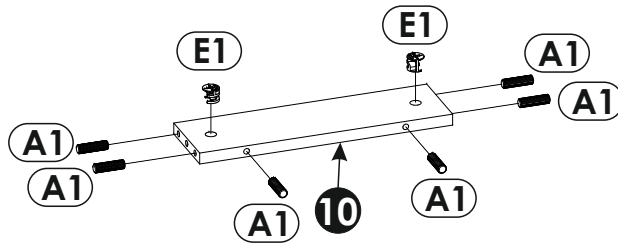
17▶



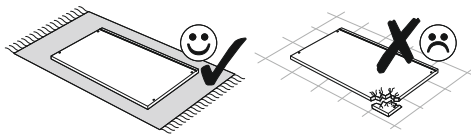
!

A1  8 x 35 mm ✓


A2  8 x 45 mm ✗




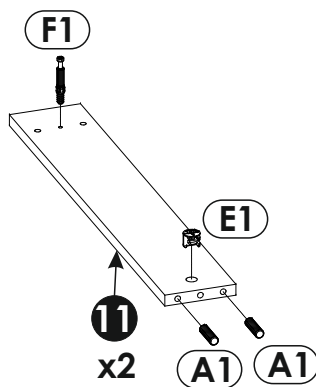
18▶



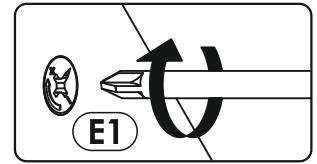
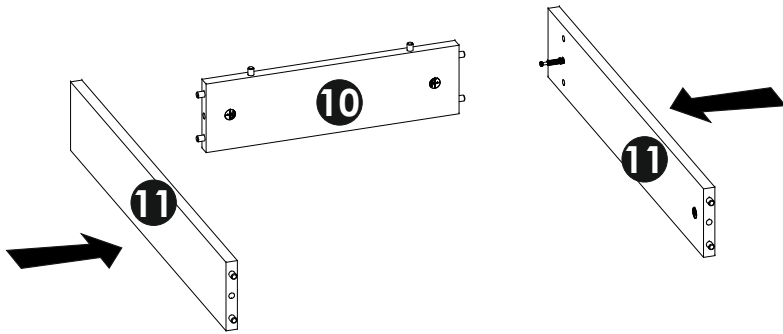
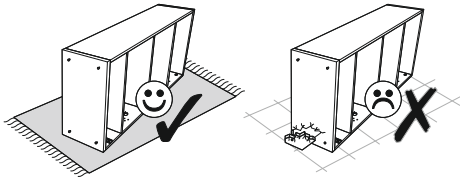
!

A1  8 x 35 mm ✓

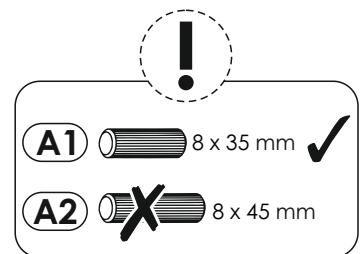
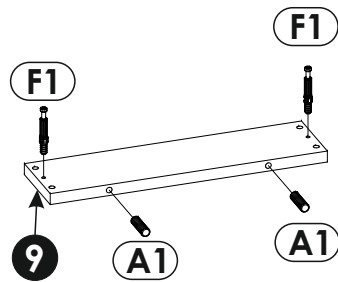
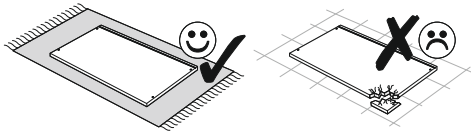
A2  8 x 45 mm ✗



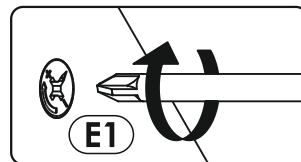
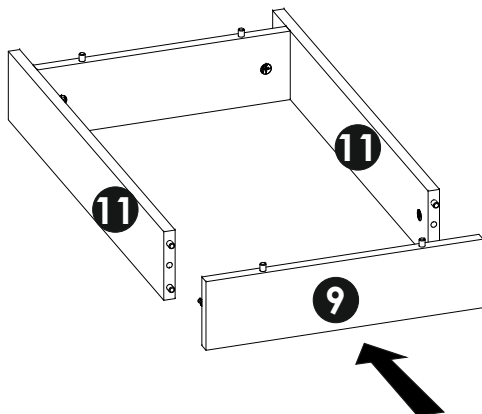
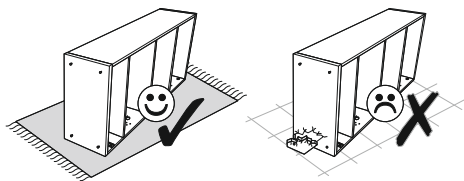
19▶



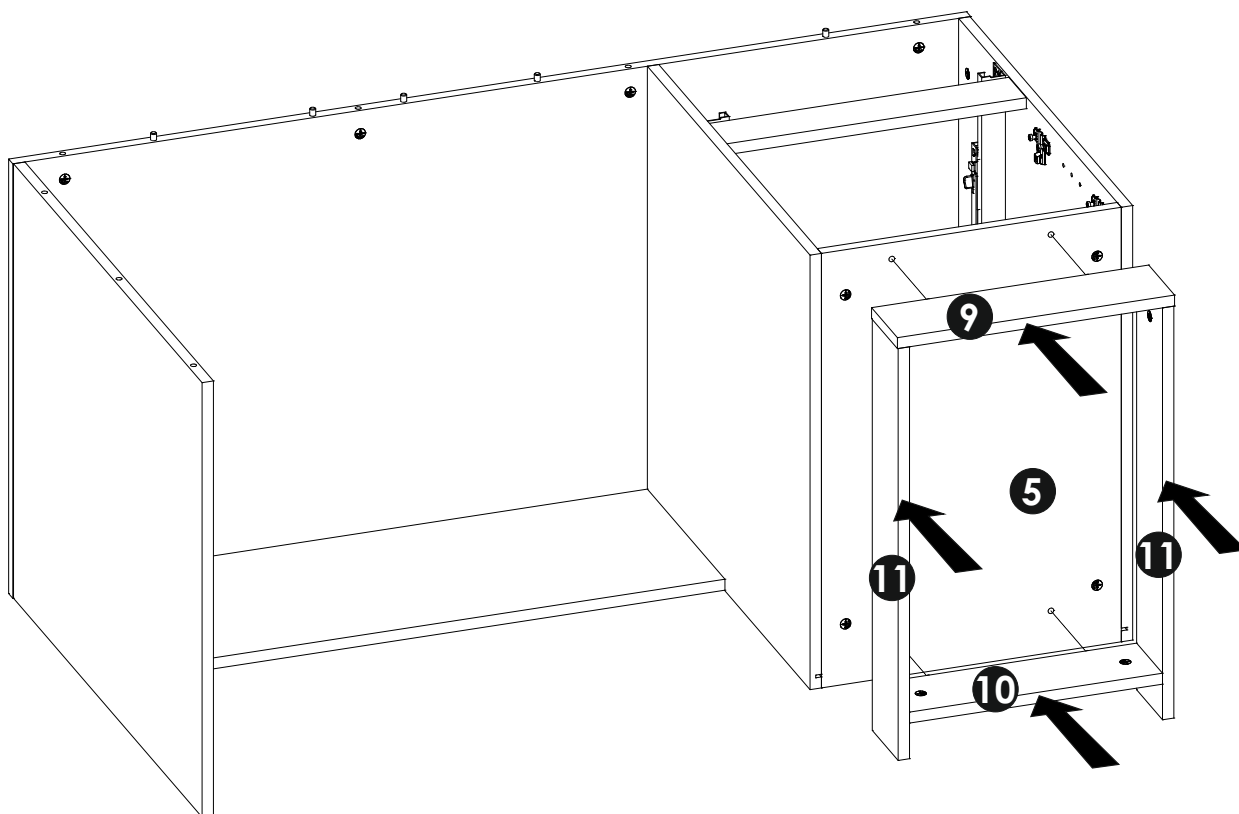
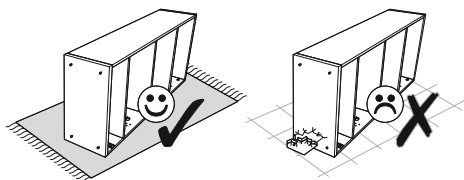
20▶



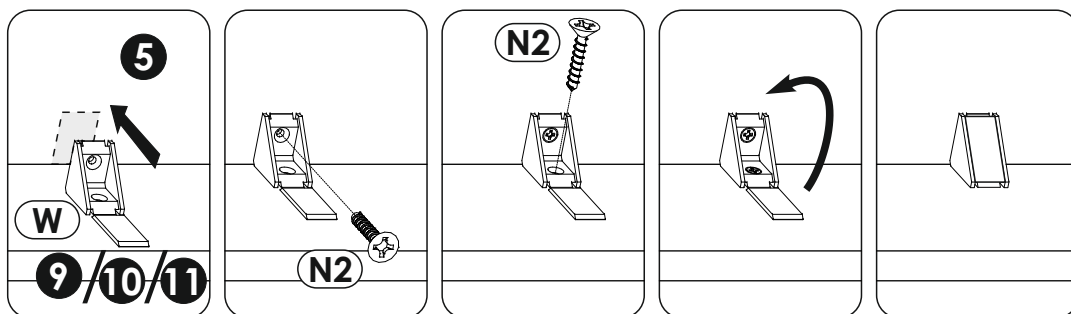
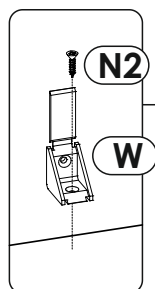
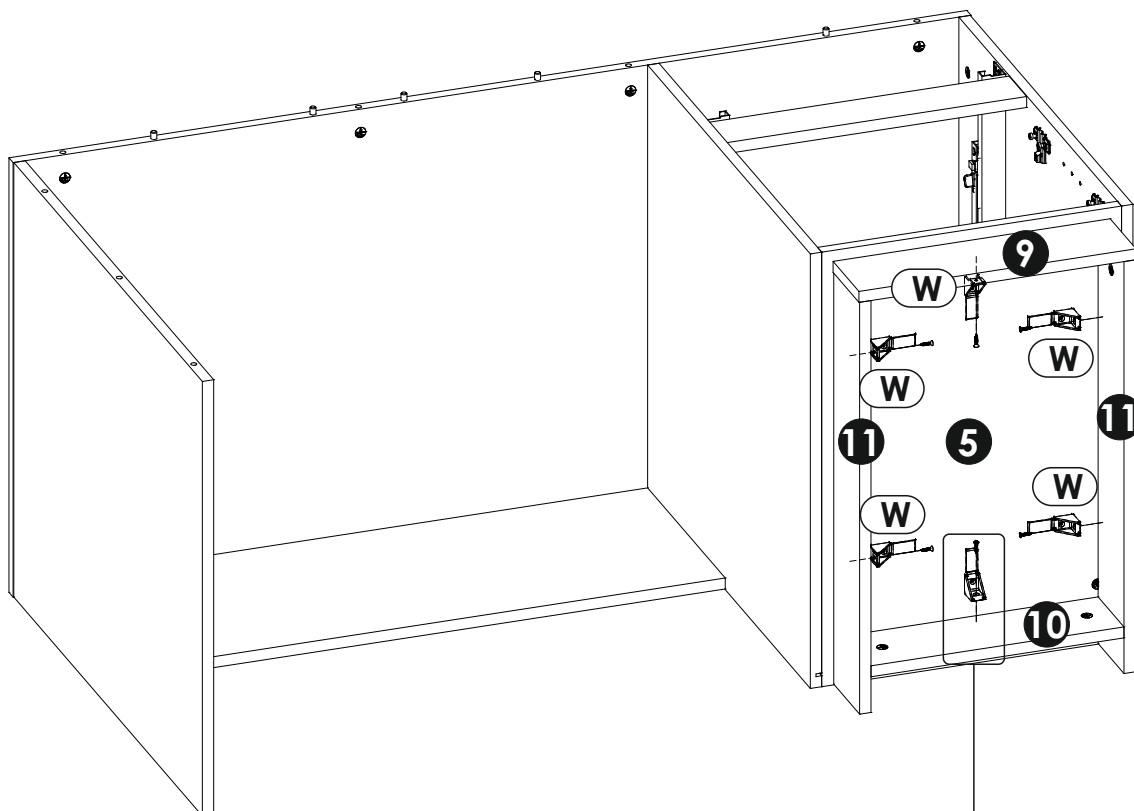
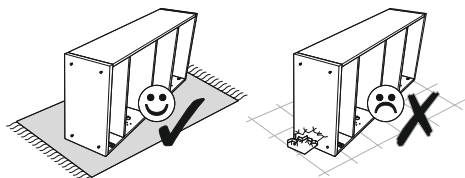
21 ▶



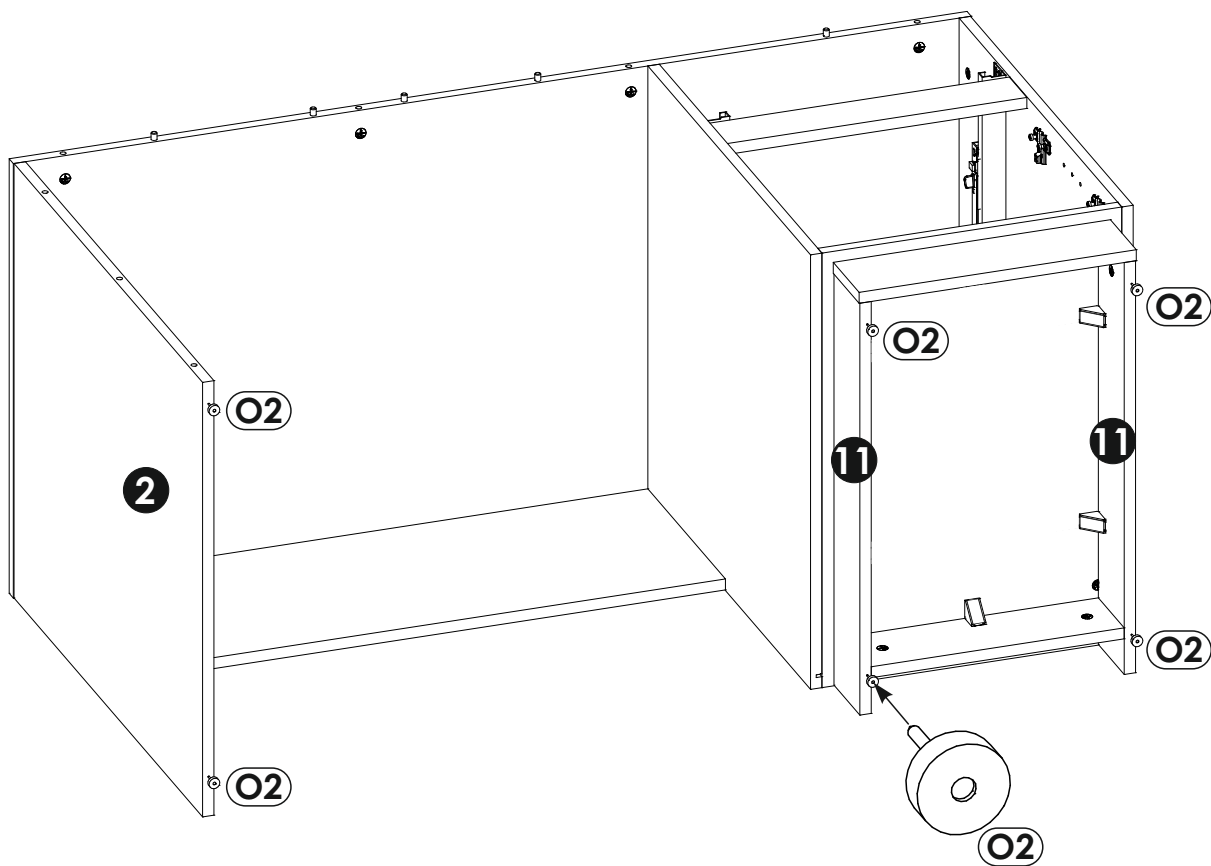
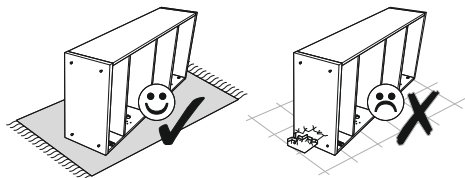
22 ▶



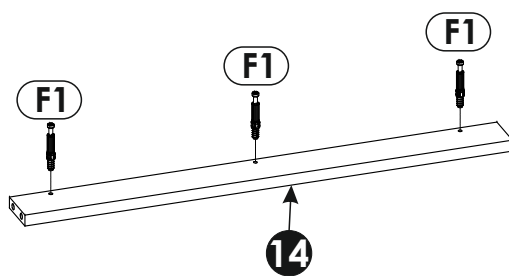
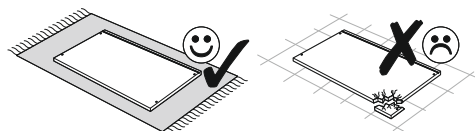
23 ▶



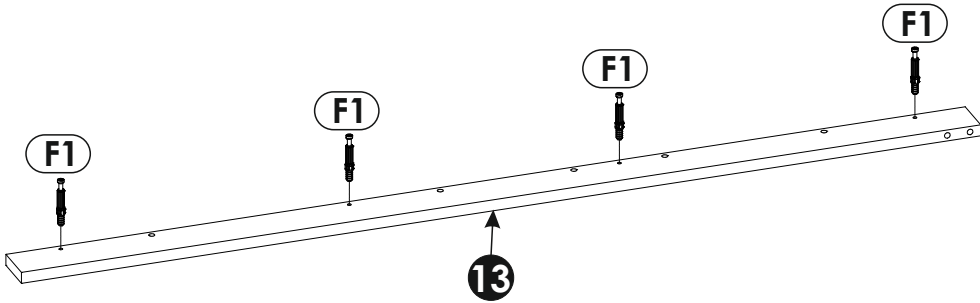
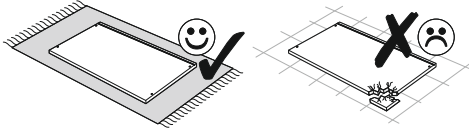
24 ▶



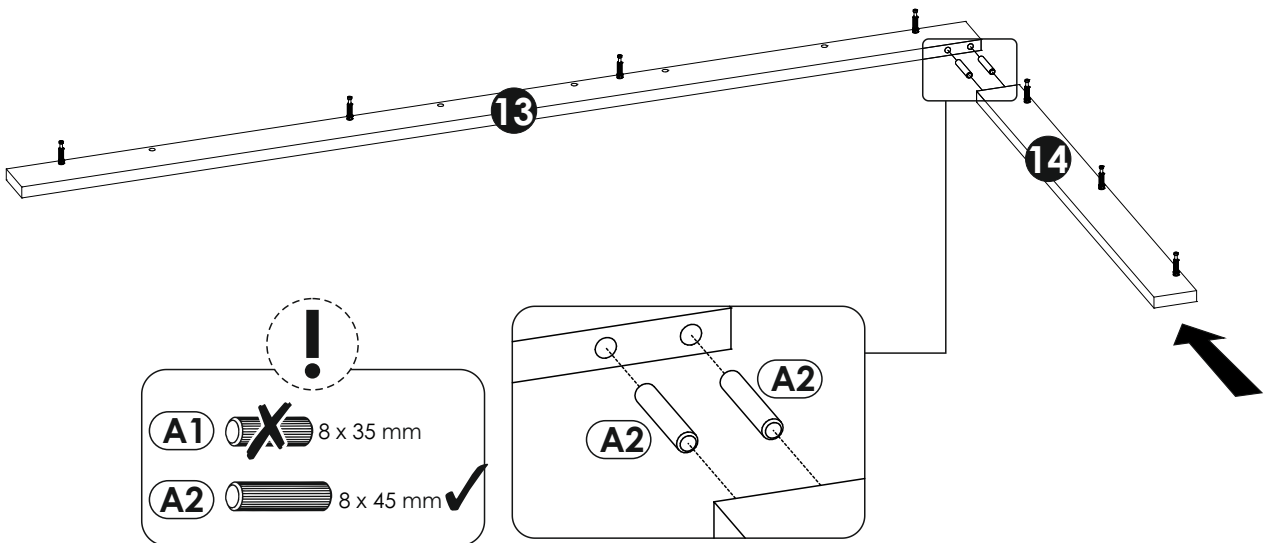
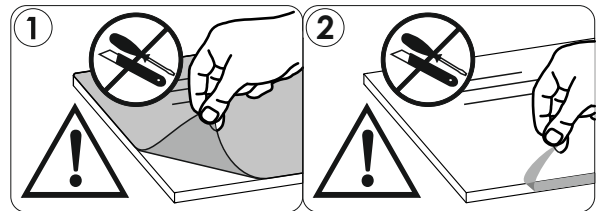
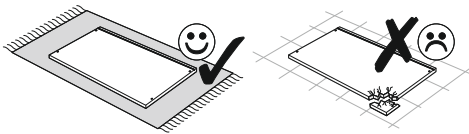
25 ▶



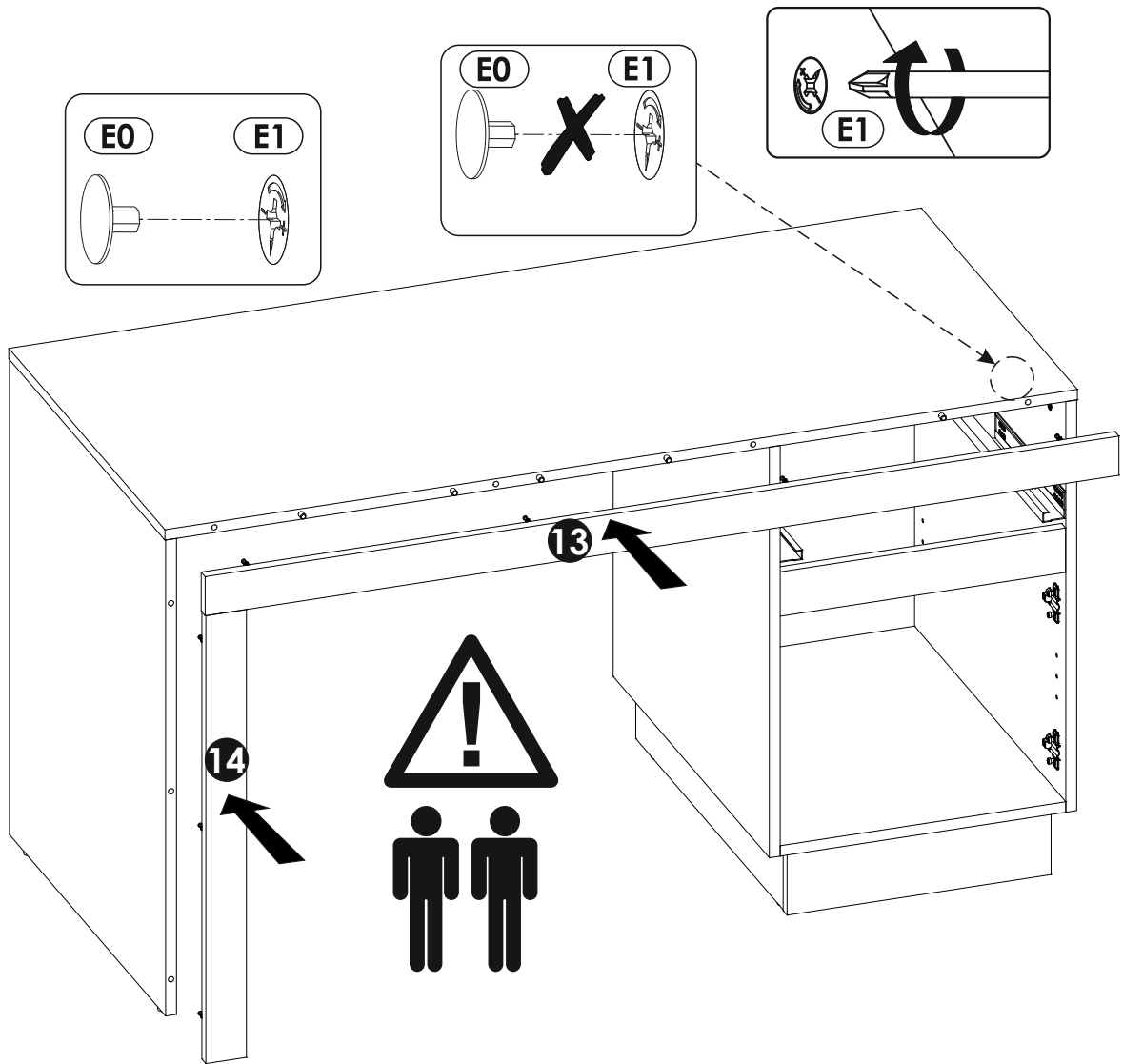
26 ▶



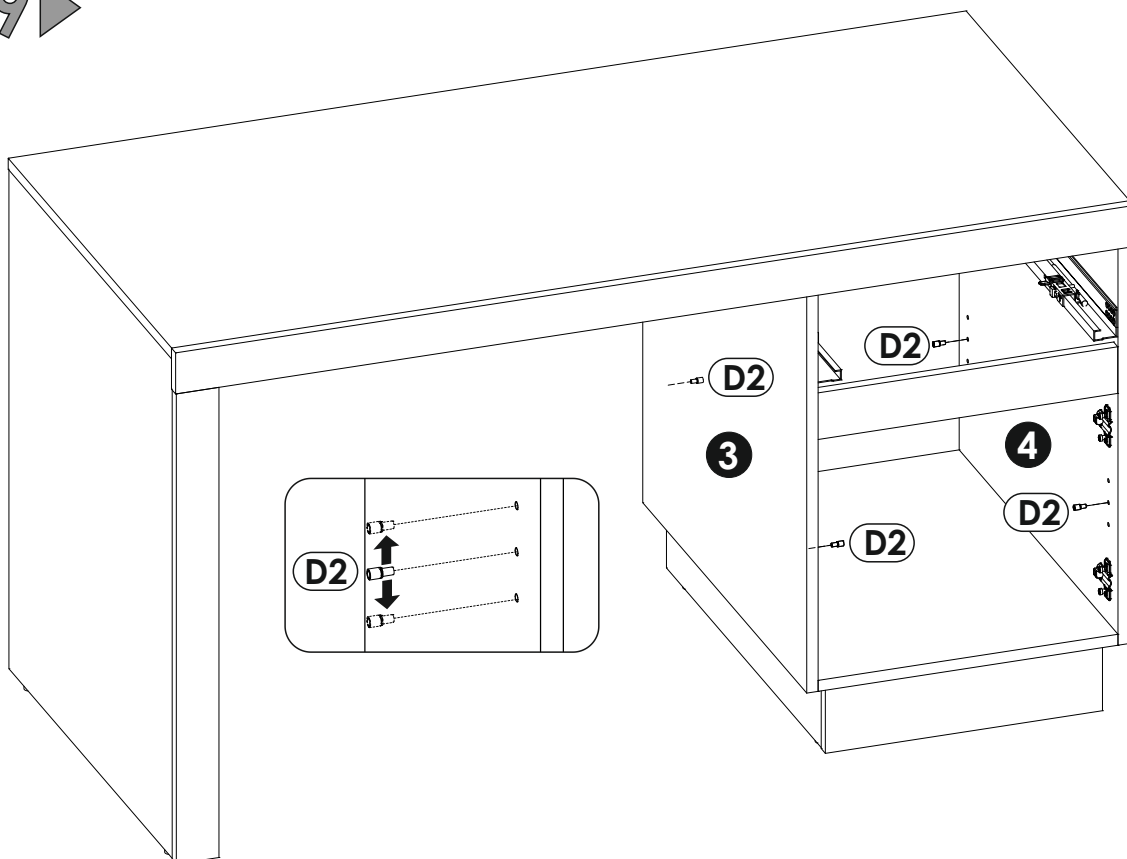
27 ▶



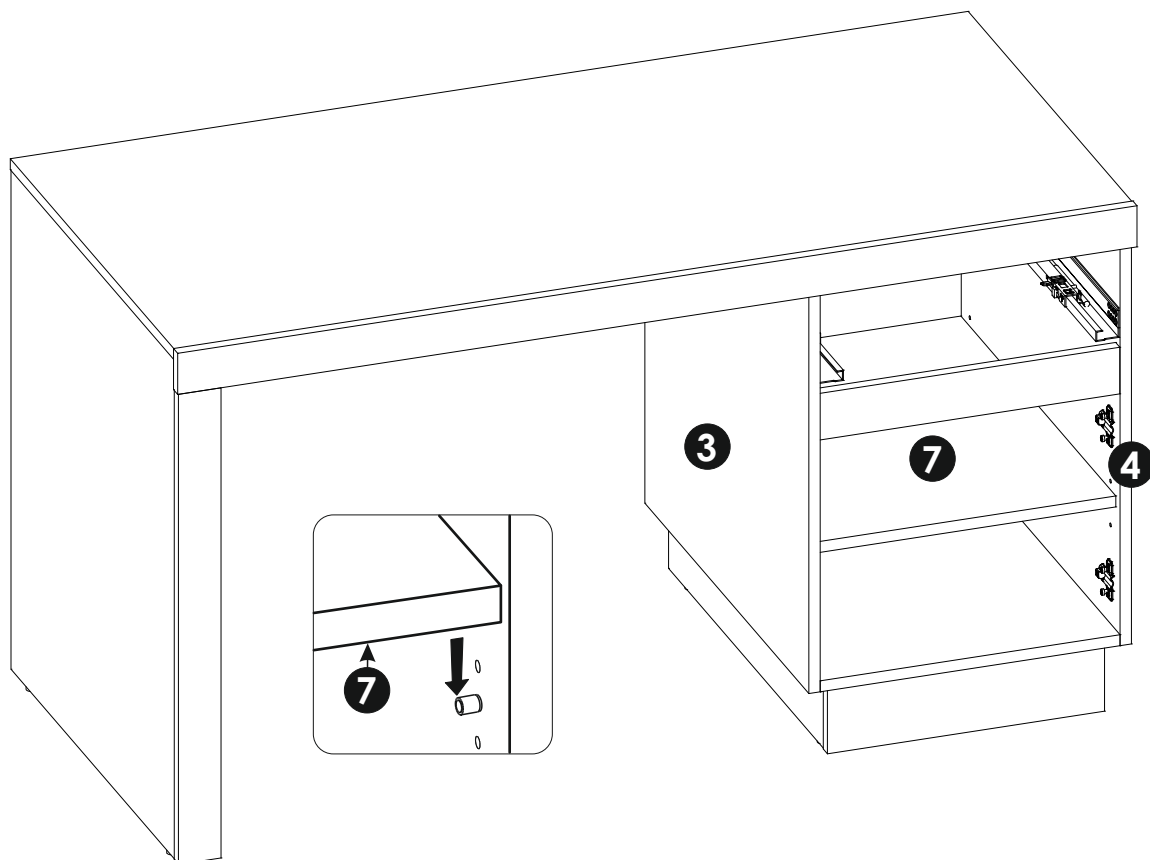
28 ▶



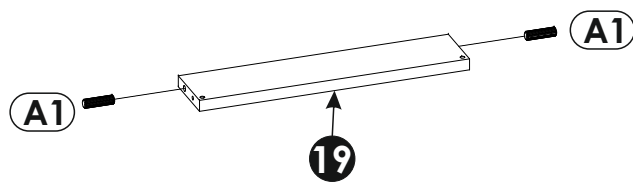
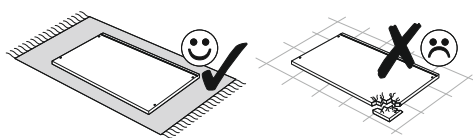
29 ▶

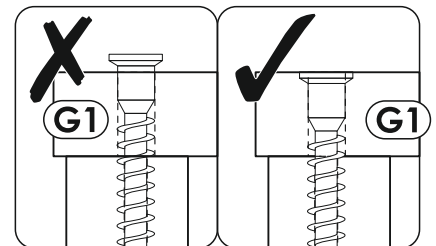
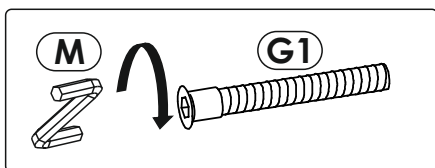
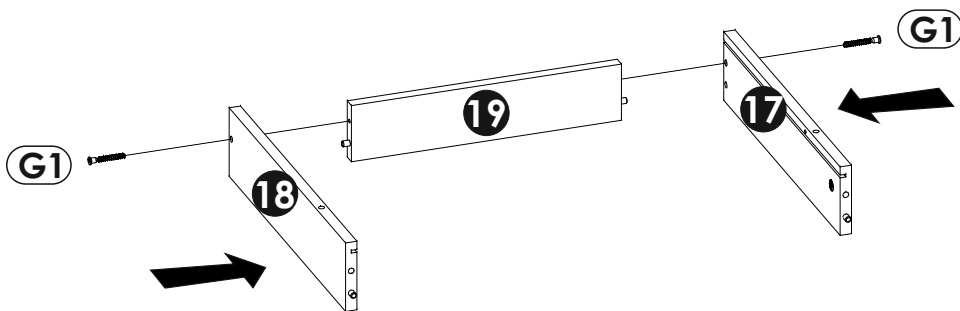
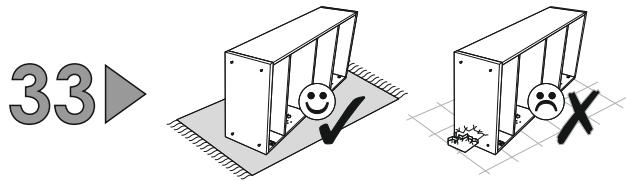
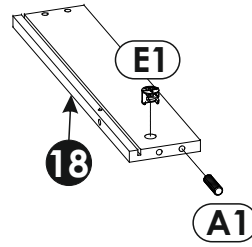
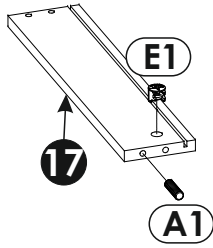
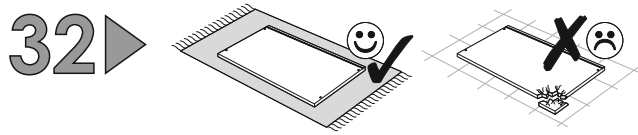


30 ▶

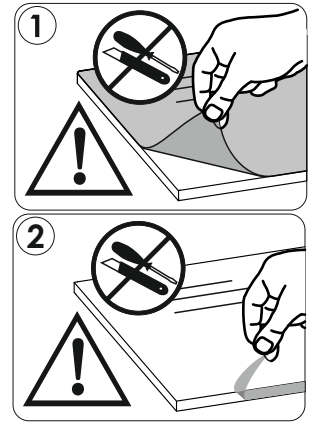
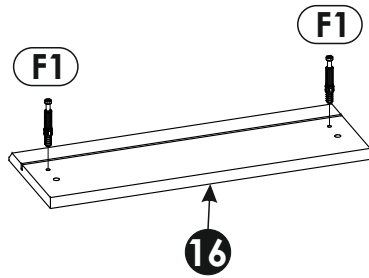
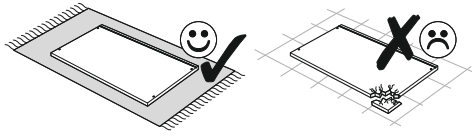


31 ▶

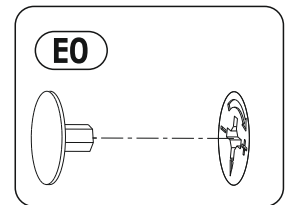
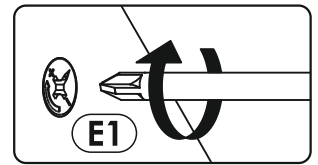
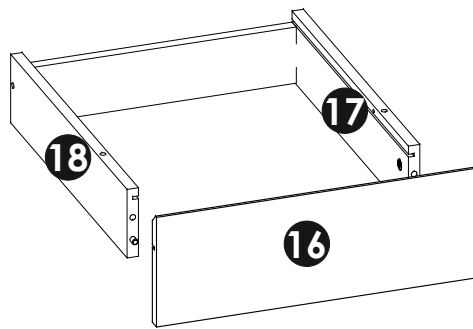
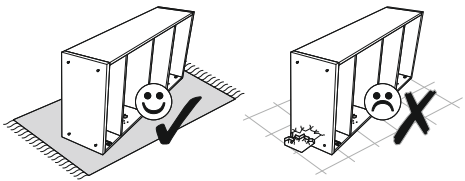




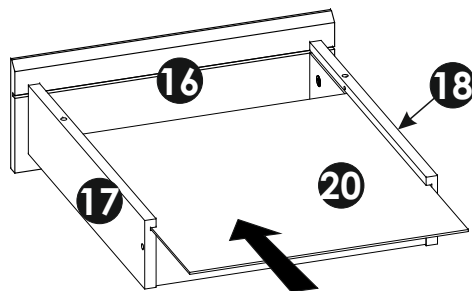
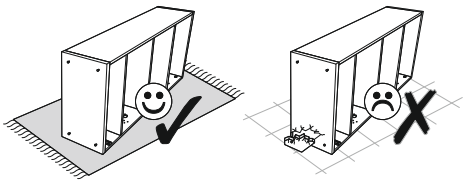
34▶



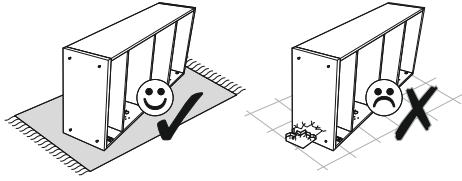
35▶



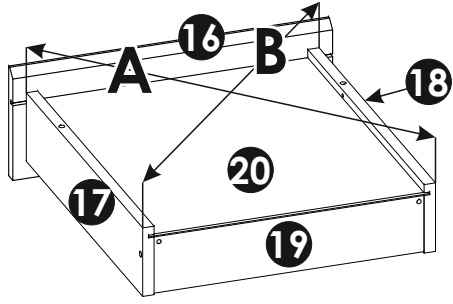
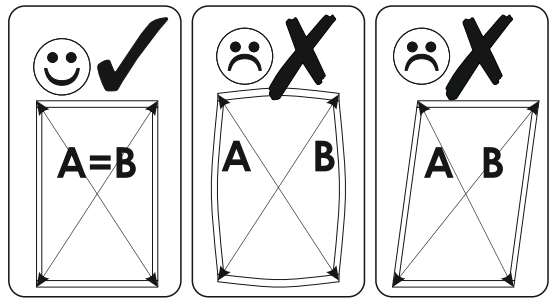
36▶



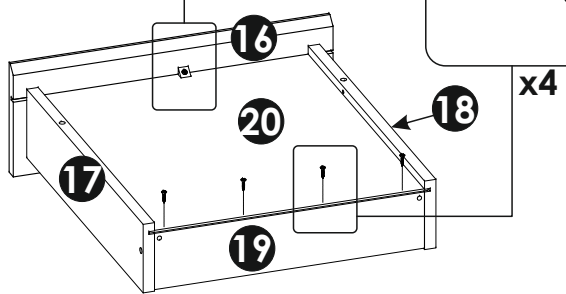
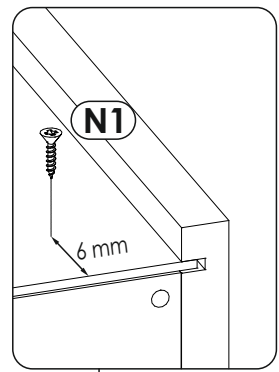
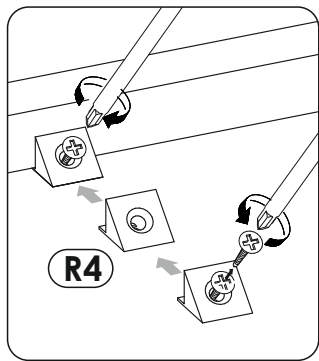
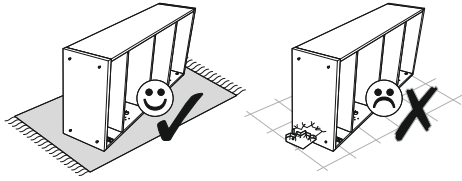
37 ▶

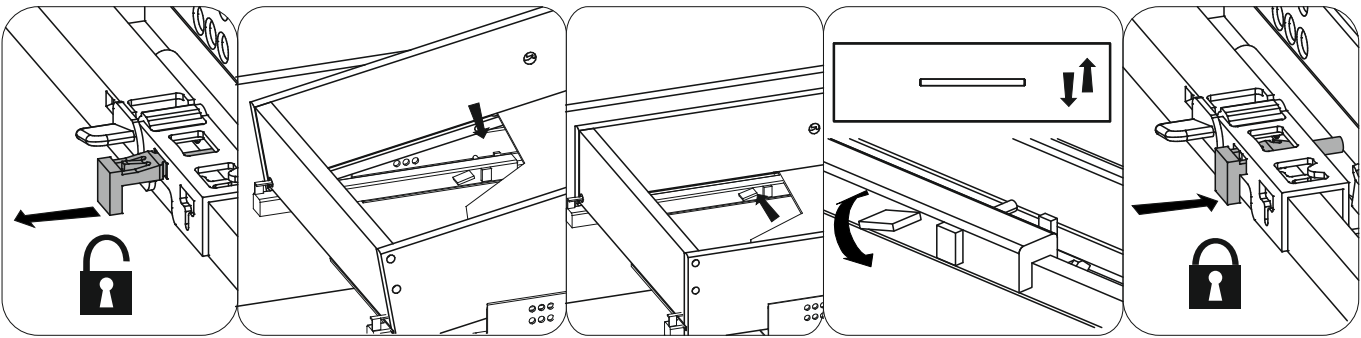
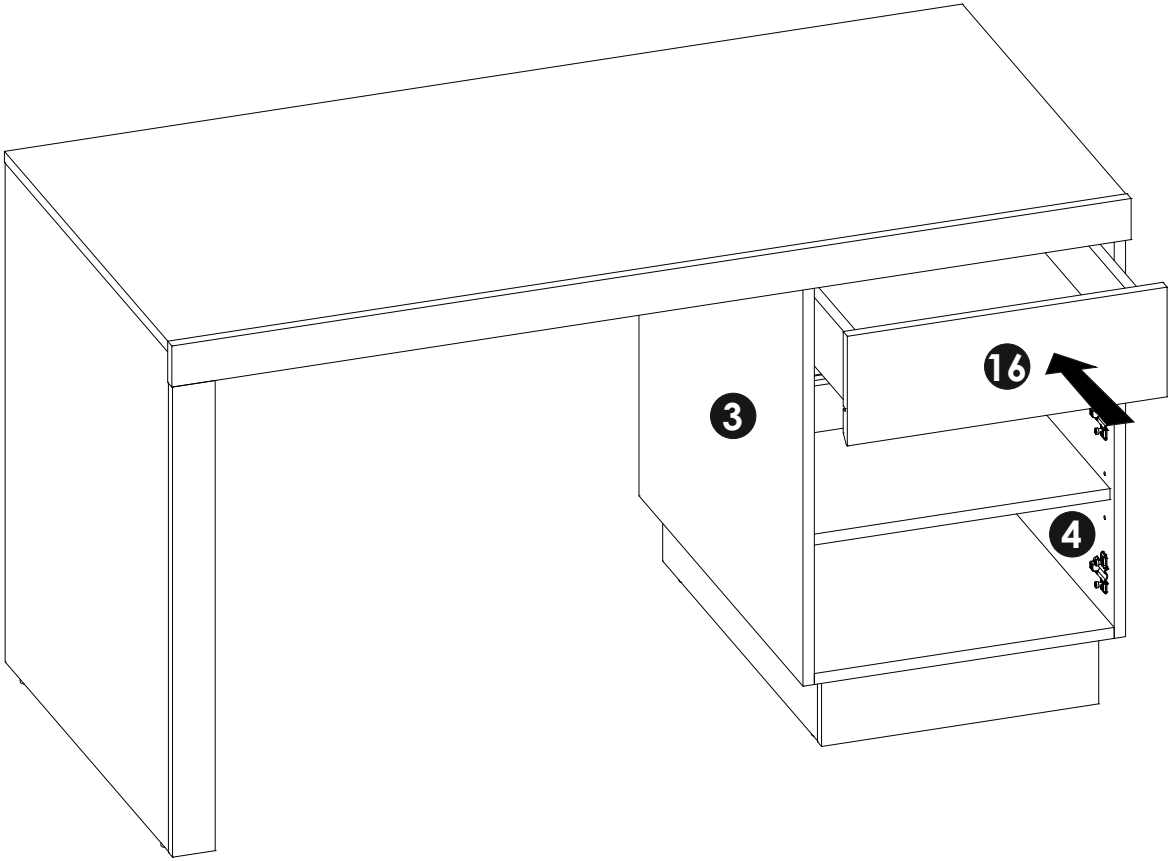


A=B

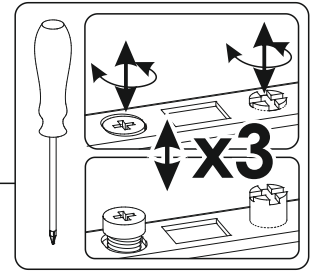
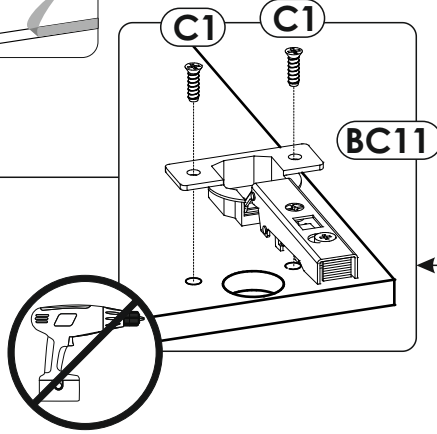
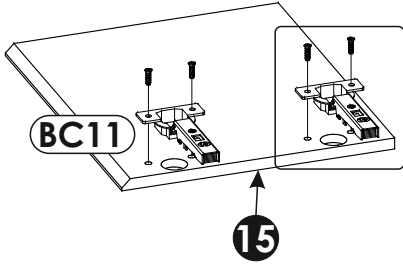
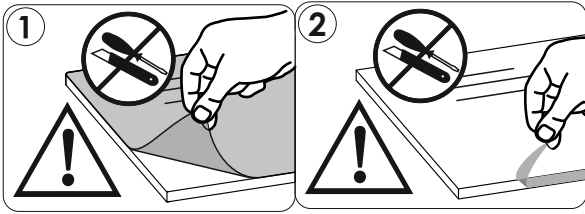
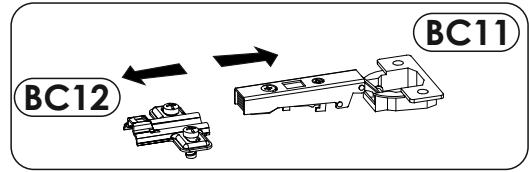
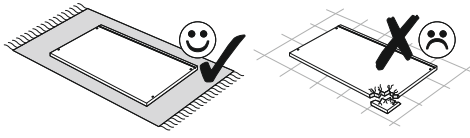


38 ▶

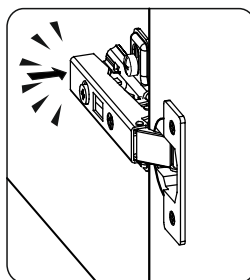
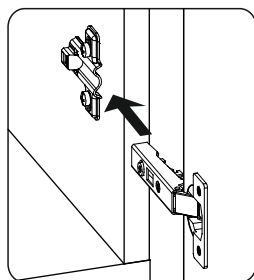
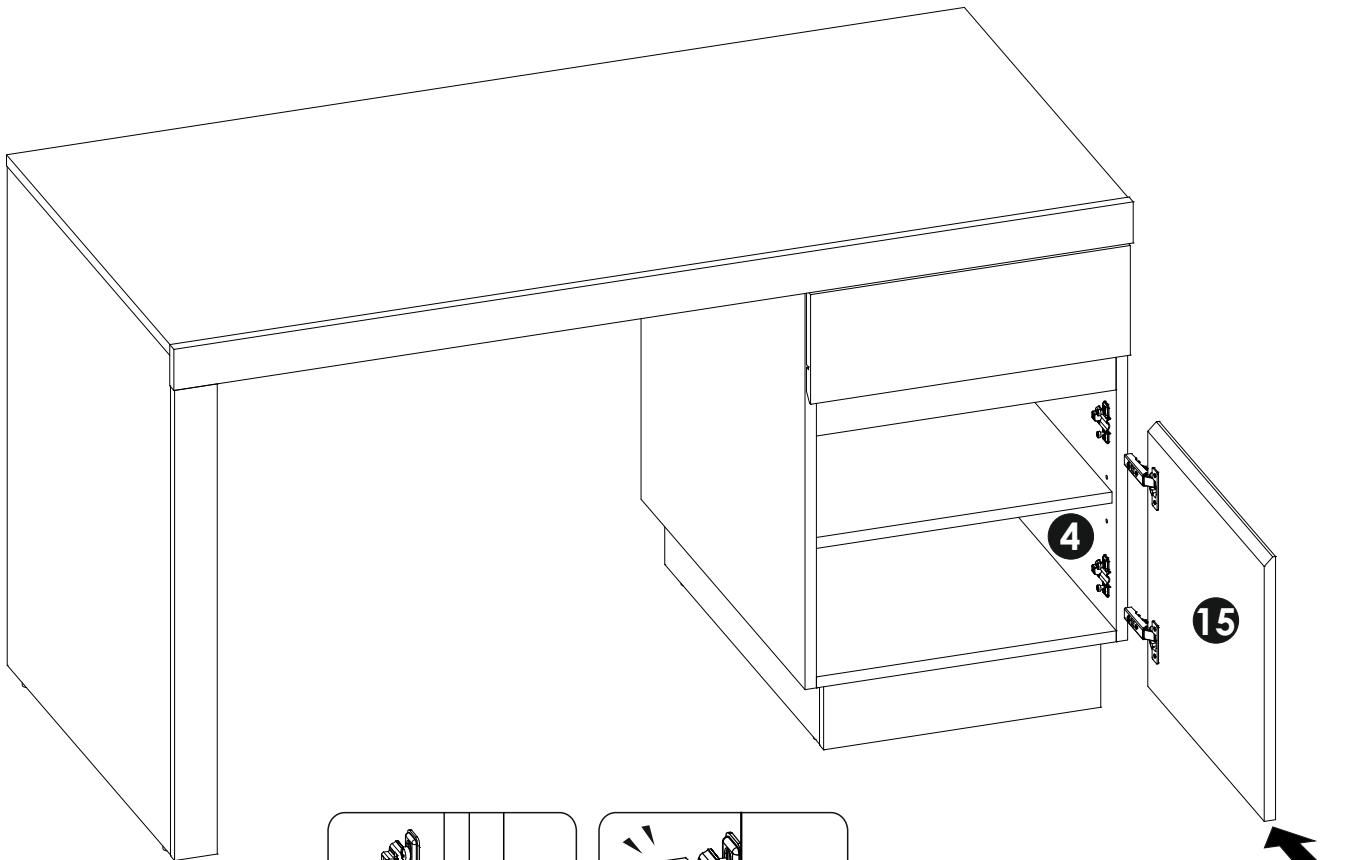




40 ▶



41 ▶



42▶

