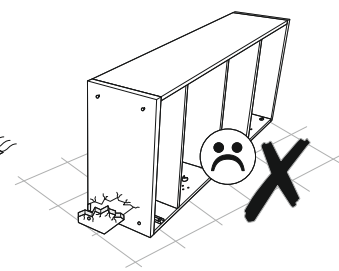
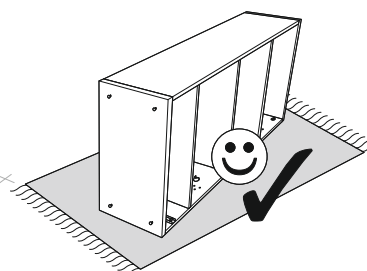
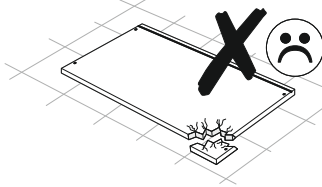
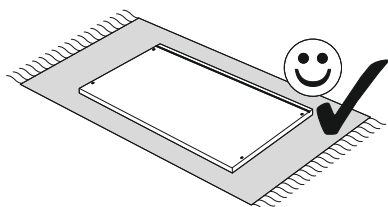
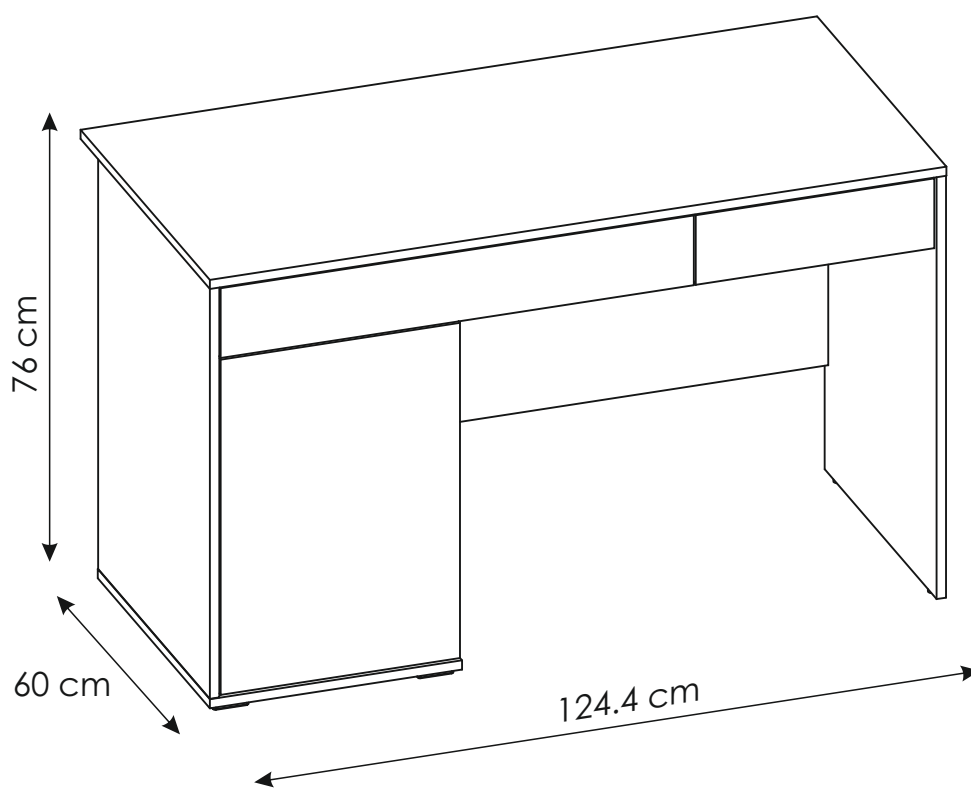
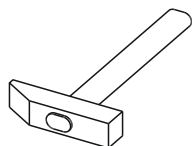
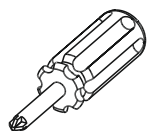
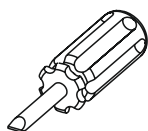
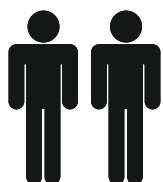
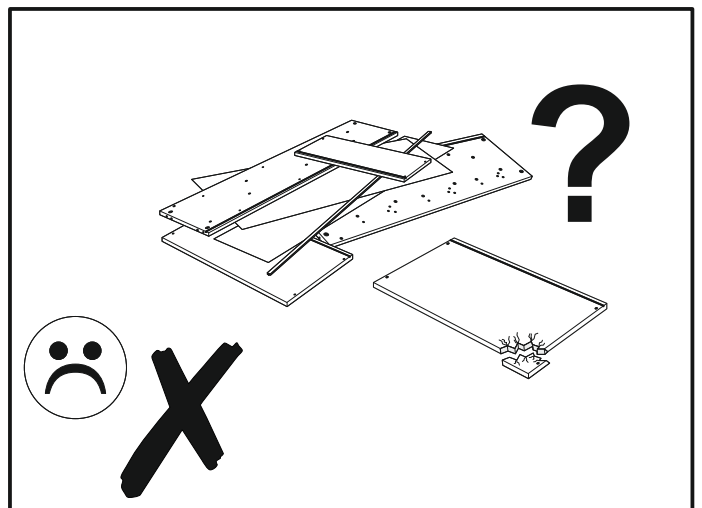
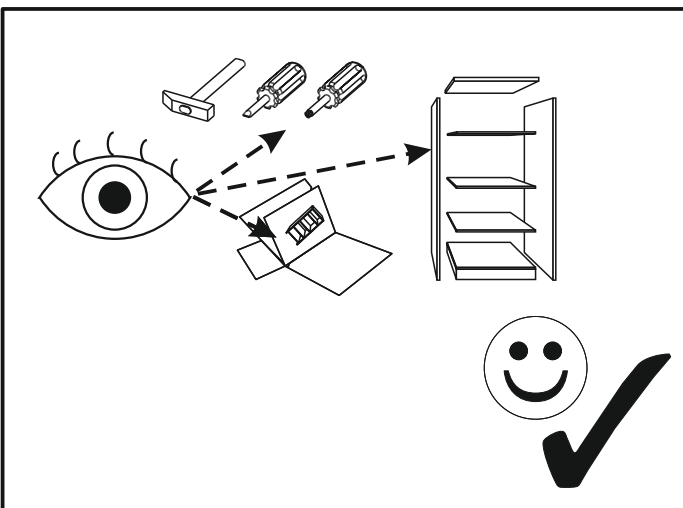
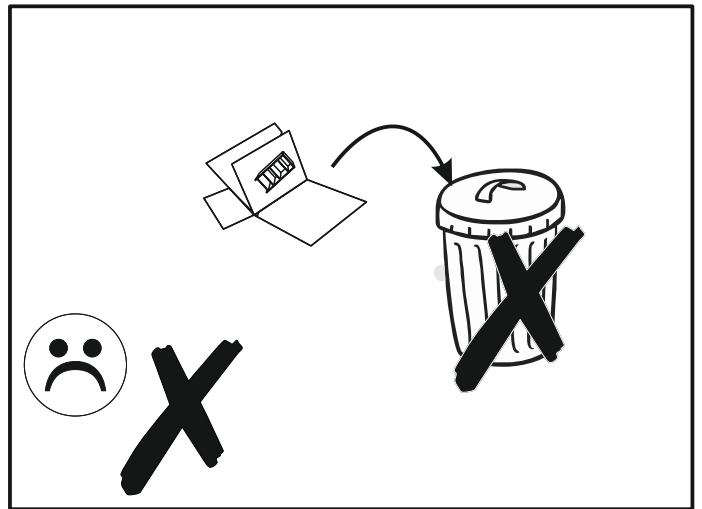
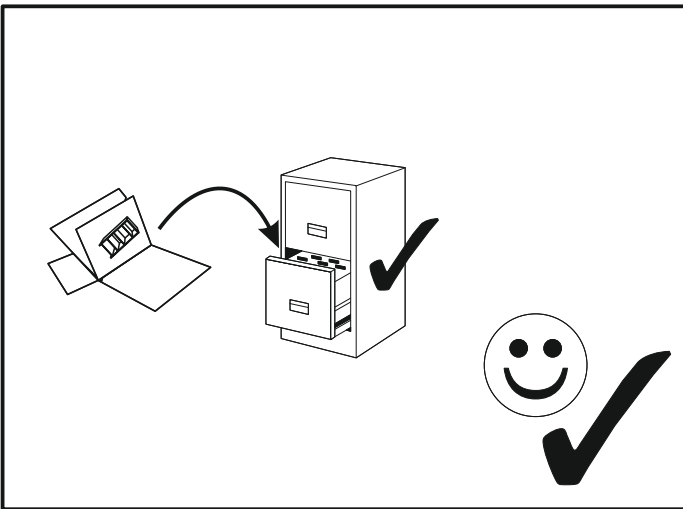
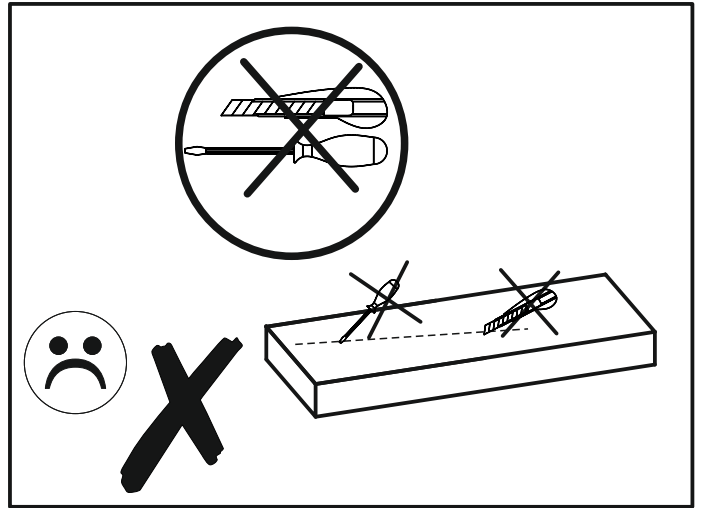
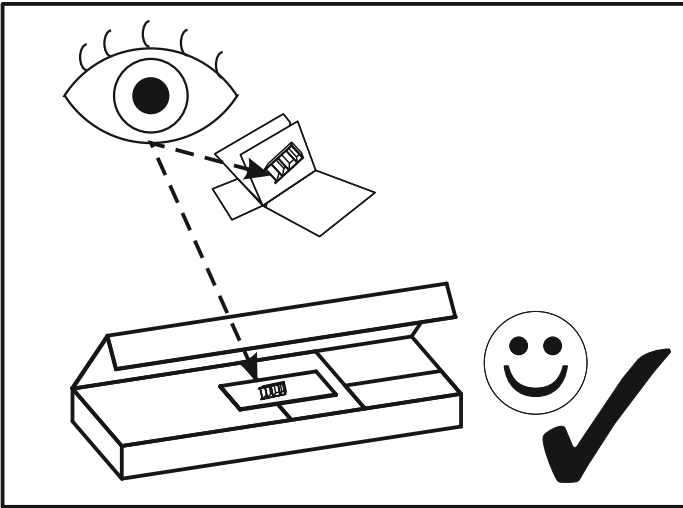


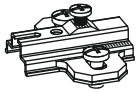

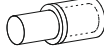
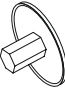

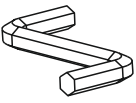

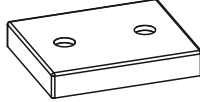
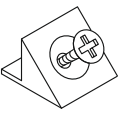
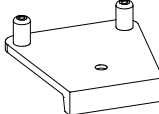

# LASB01

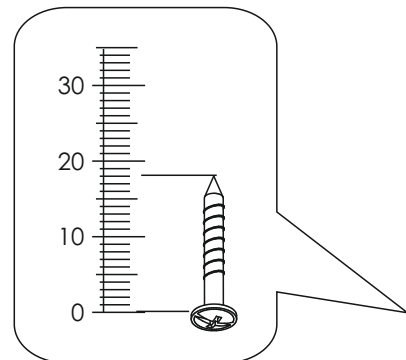




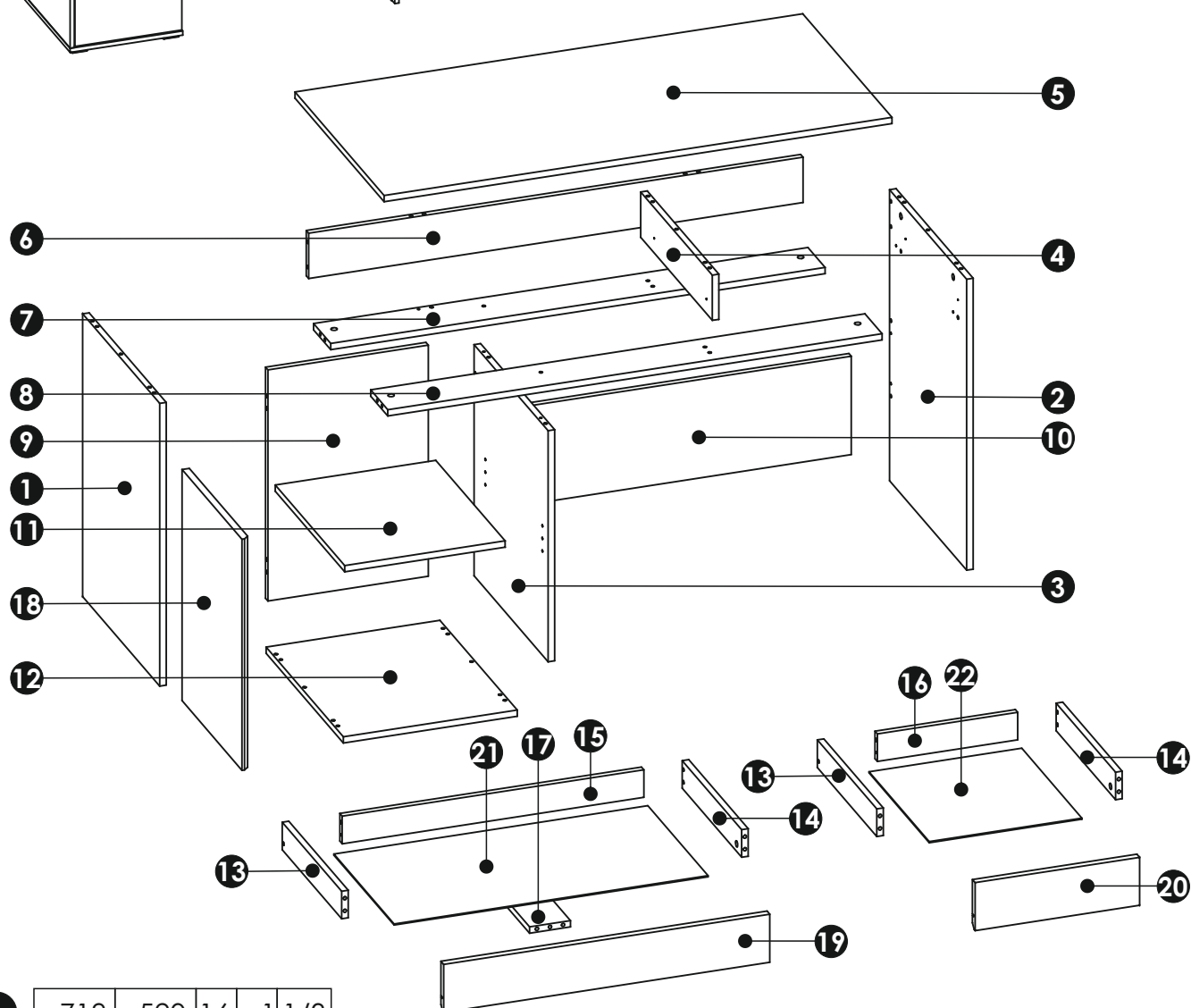
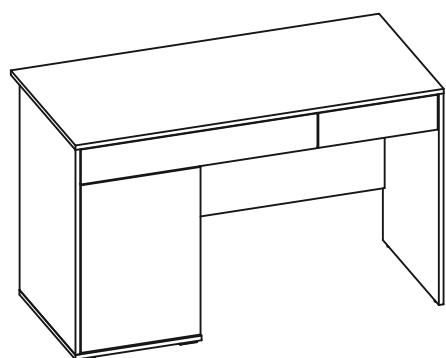
# LASB01

MM

<b>A1</b>	8 x 35 mm	x49	<b>B0</b>		x2	<b>B3</b>		x2
<b>C1</b>	4 x 13 mm	x4	<b>C2</b>	5 x 13 mm	x8	<b>D2</b>		x4
<b>E0</b>		x27	<b>E1</b>	15 x 12 mm	x27	<b>F1</b>	6 x 34 mm	x27
<b>G0</b>		x12	<b>G1</b>	7 x 50 mm	x12	<b>I6</b>	3,5 x 40mm	x2
<b>J1</b>	3 x 20 mm	x12	<b>M</b>		x1	<b>N0</b>	3 X 13 mm	x1
<b>N1</b>	3 X 16 mm	x15	<b>N2</b>	3,5 X 16 mm	x8	<b>O2</b>		x2
<b>O15</b>		x4	<b>R4</b>		x1	<b>R5</b>		x1
<b>R8</b>		x3	<b>T4</b>	L-400	x2			



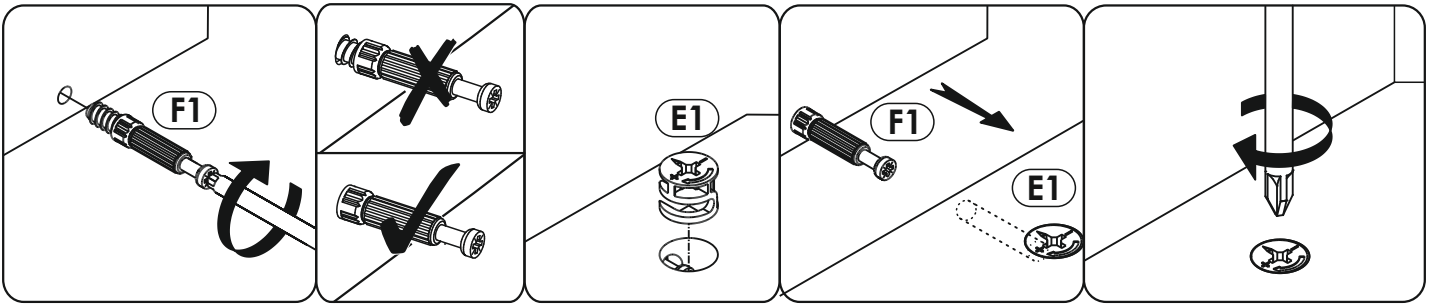
# LASB01



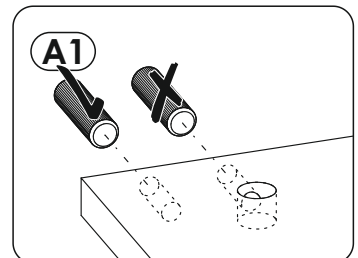
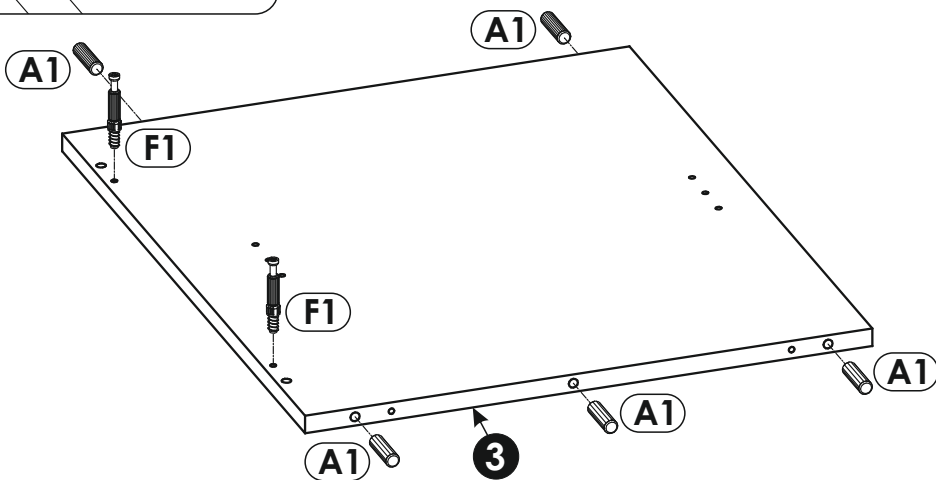
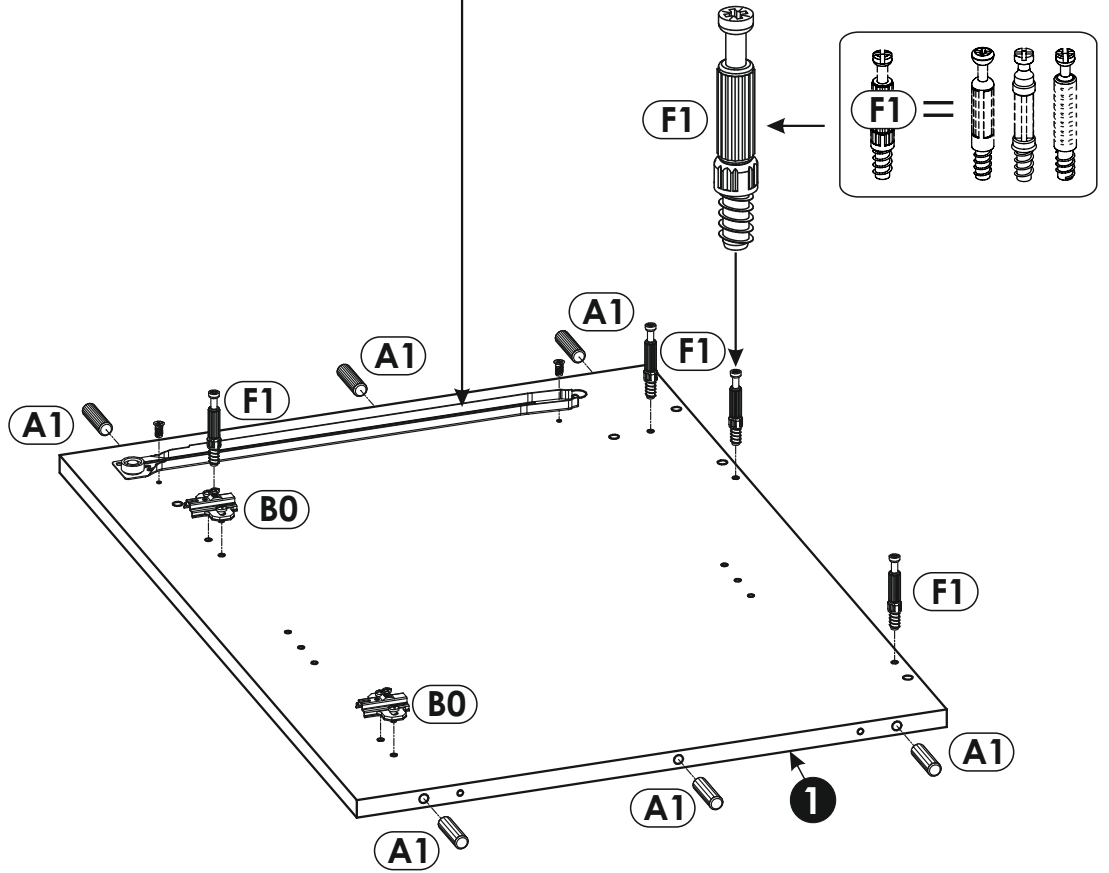
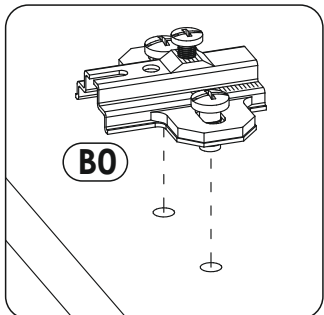
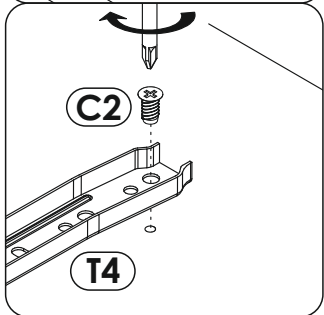
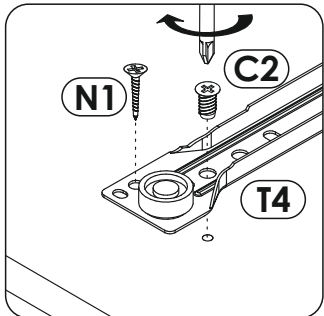
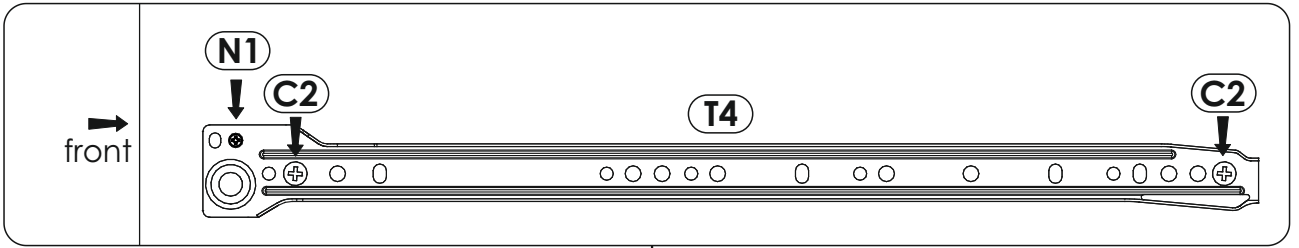
<b>1</b>	718	520	16	x1	1/3
<b>2</b>	739	520	16	x1	1/3
<b>3</b>	587	499	16	x1	1/3
<b>4</b>	482	115	16	x1	1/3
<b>5</b>	1244	601	16	x1	2/3
<b>6</b>	1211	115	16	x1	2/3
<b>7</b>	1211	115	16	x1	2/3
<b>8</b>	1211	115	16	x1	2/3

<b>9</b>	587	393	16	x1	1/3
<b>10</b>	802	250	16	x1	2/3
<b>11</b>	393	468	16	x1	1/3
<b>12</b>	426	521	16	x1	1/3
<b>13</b>	400	70	16	x2	2/3
<b>14</b>	400	70	16	x2	2/3
<b>15</b>	738	70	16	x1	2/3

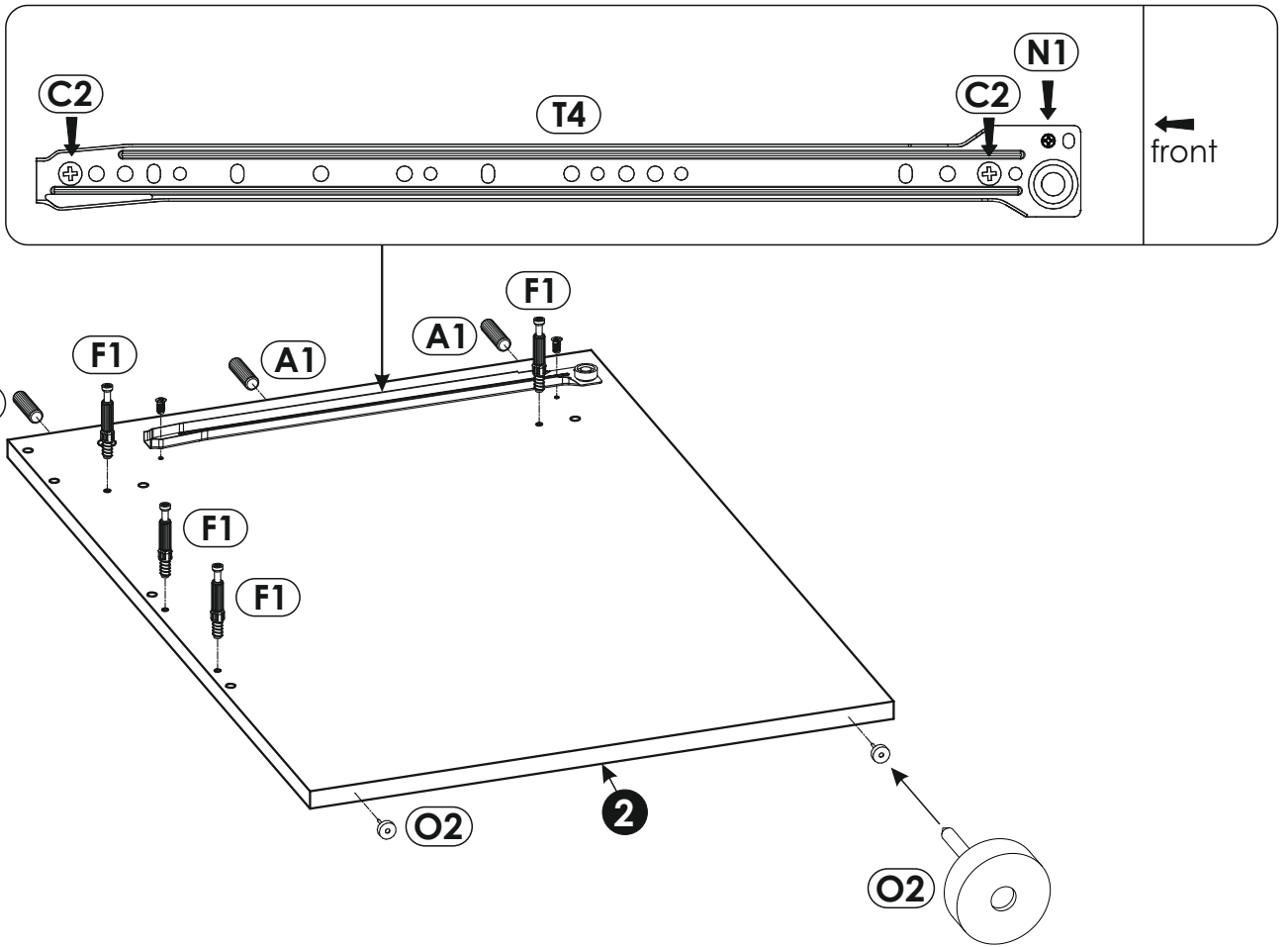
<b>16</b>	345	70	16	x1	2/3
<b>17</b>	400	100	16	x1	1/3
<b>18</b>	587	404	18	x1	2/3
<b>19</b>	798	122	18	x1	3/3
<b>20</b>	404	122	18	x1	2/3
<b>21</b>	768	405	3	x1	2/3
<b>22</b>	375	405	3	x1	2/3



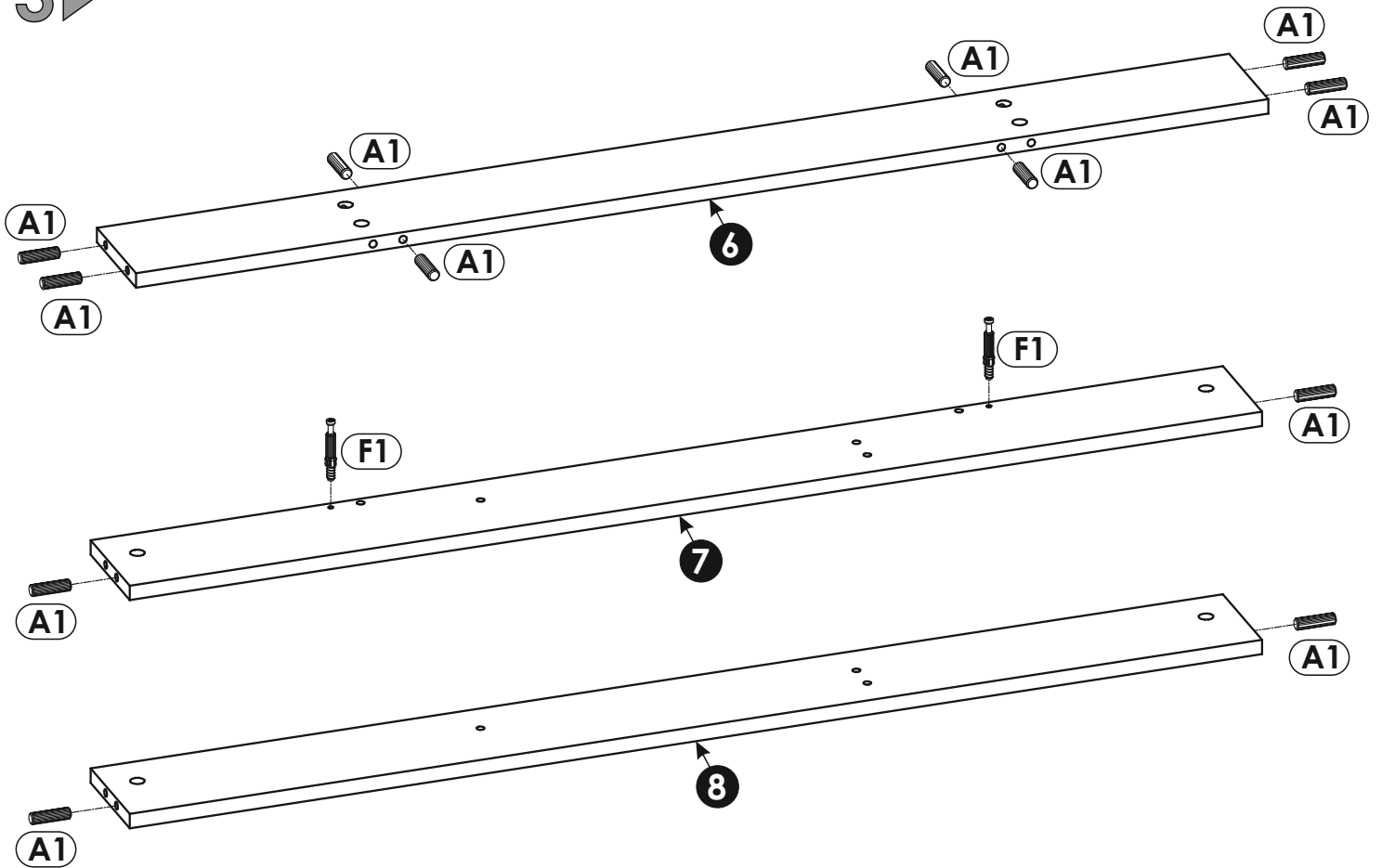
1 ▶



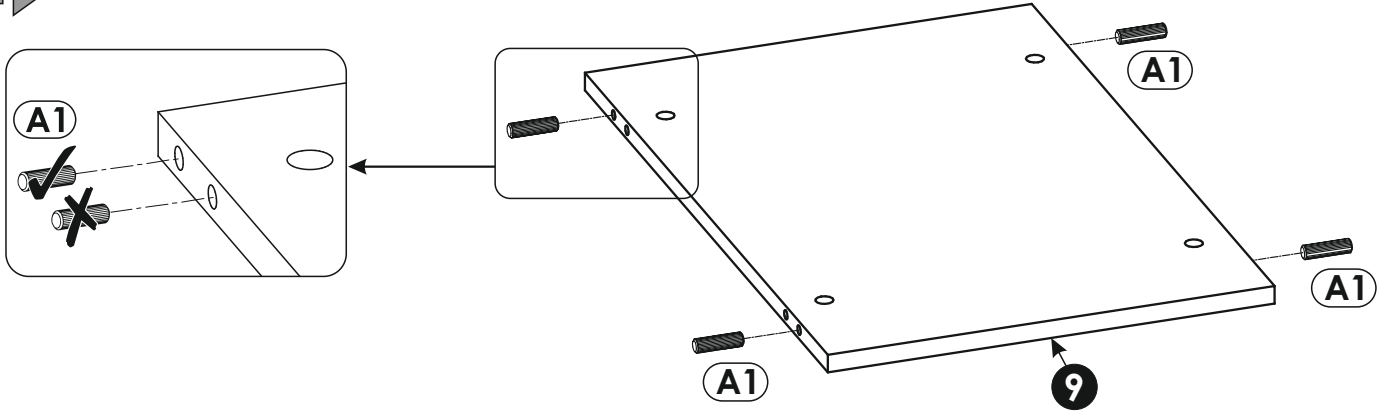
2 ▶



3 ▶



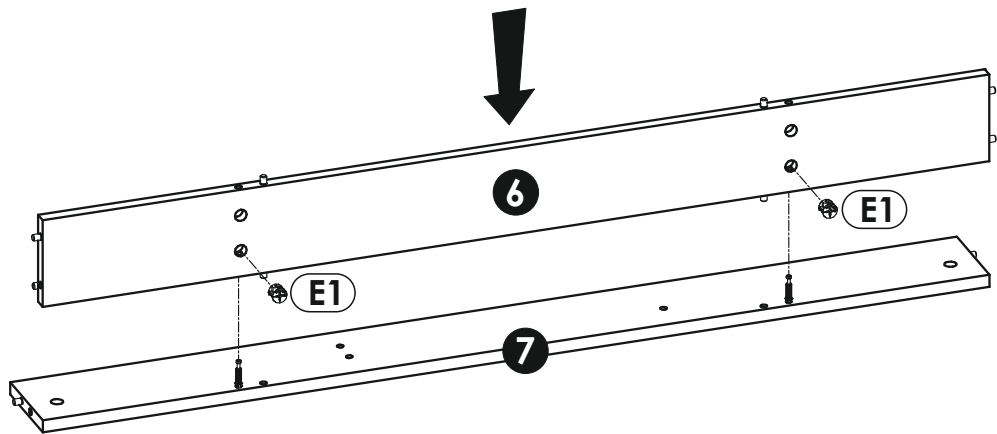
4 ▶



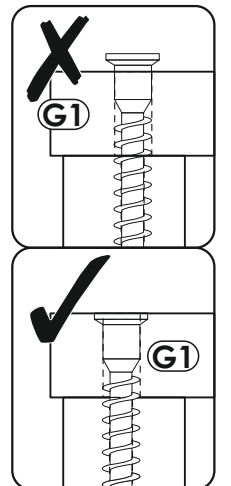
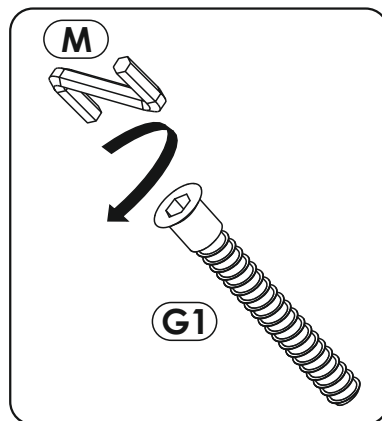
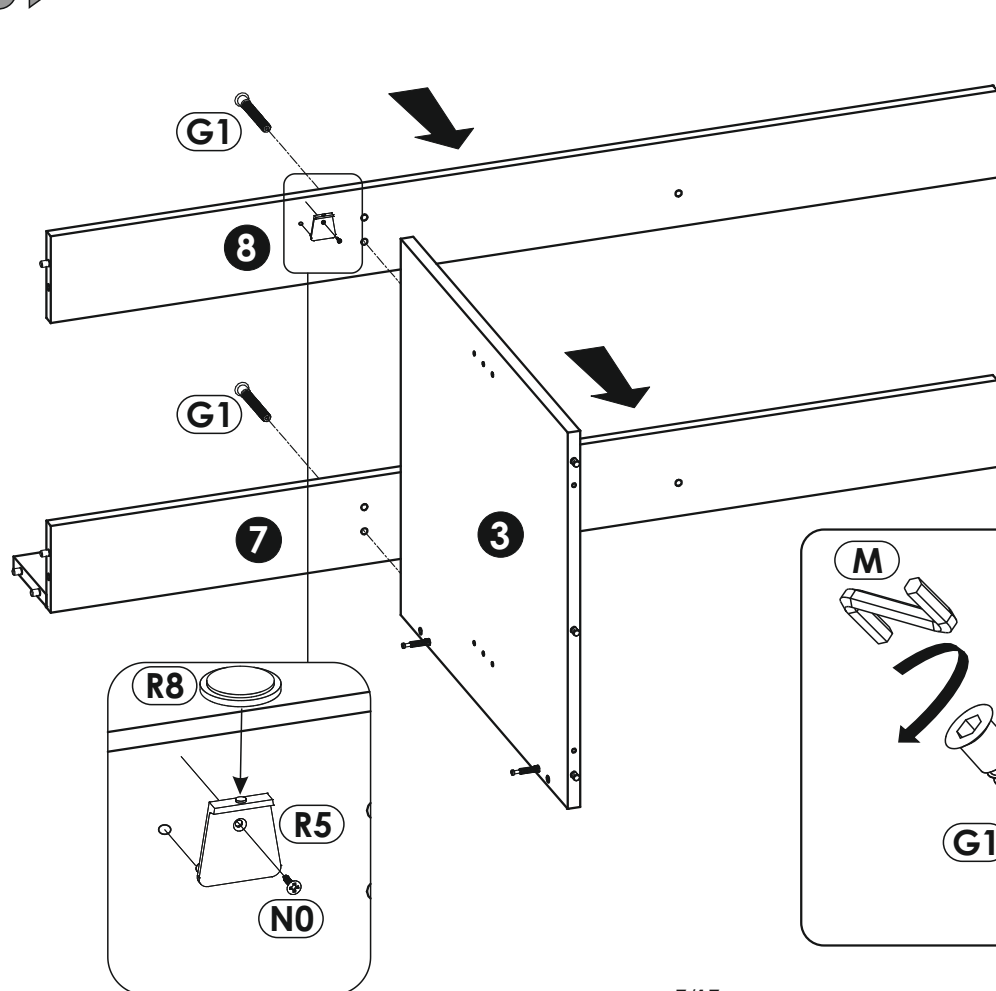
5 ▶



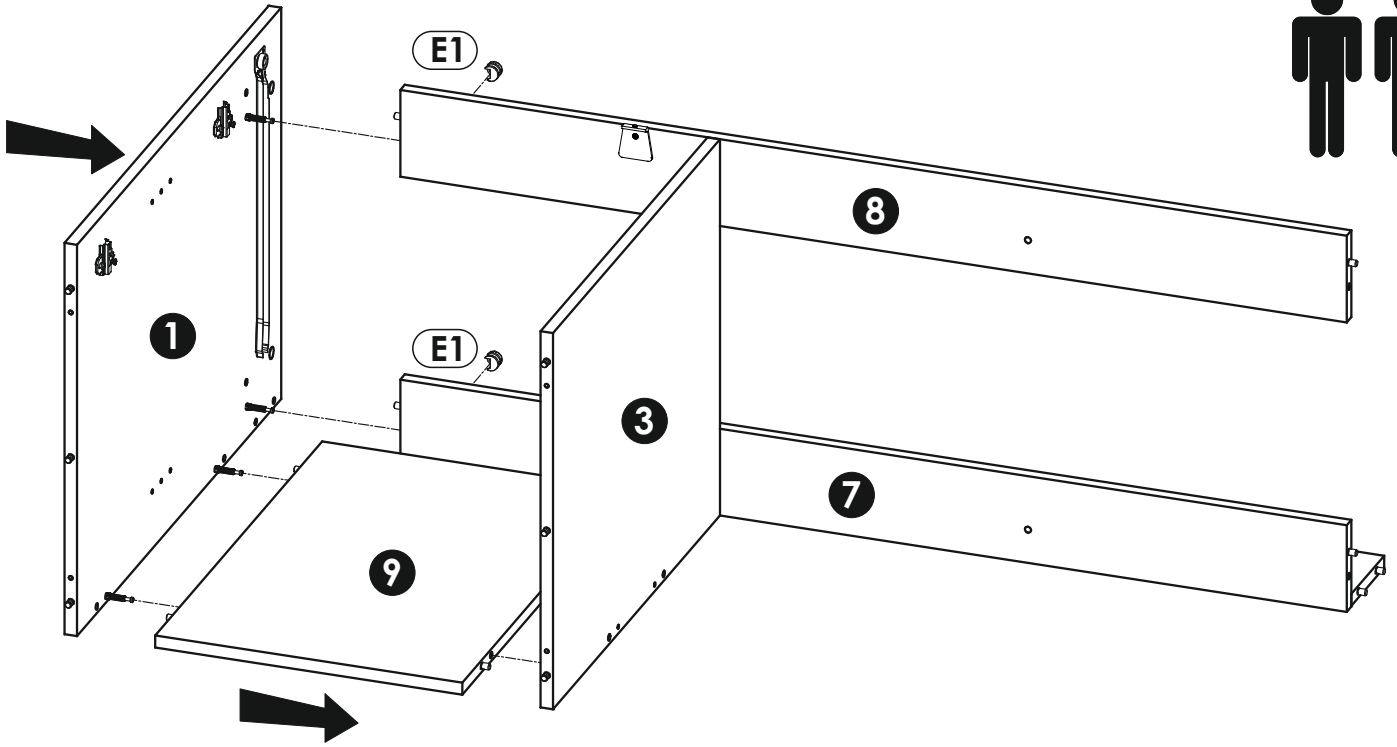
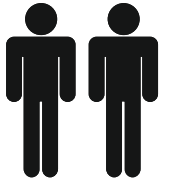
5/17



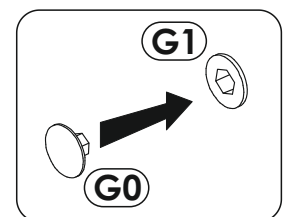
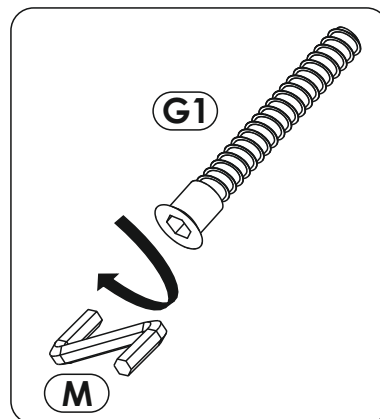
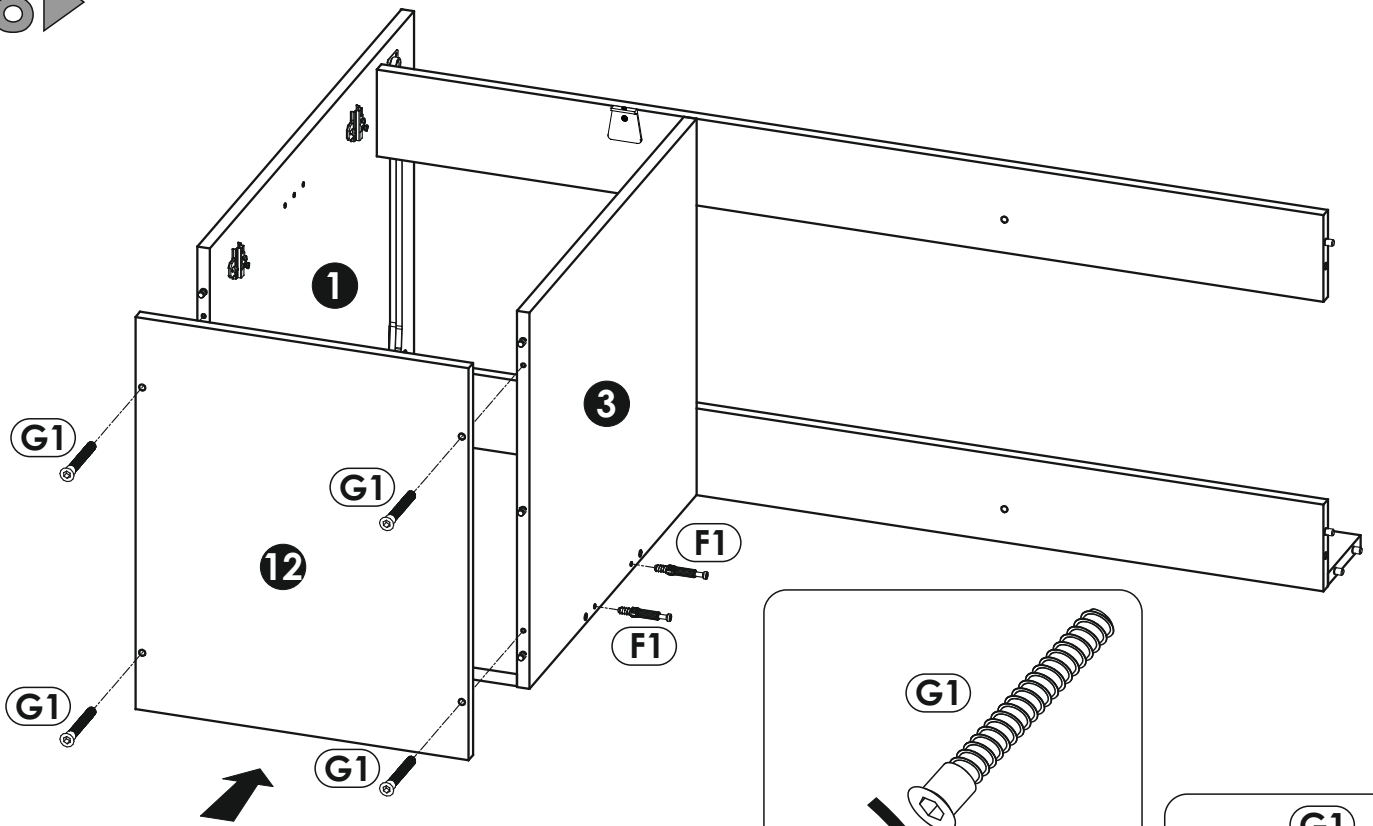
6 ▶



7 ▶

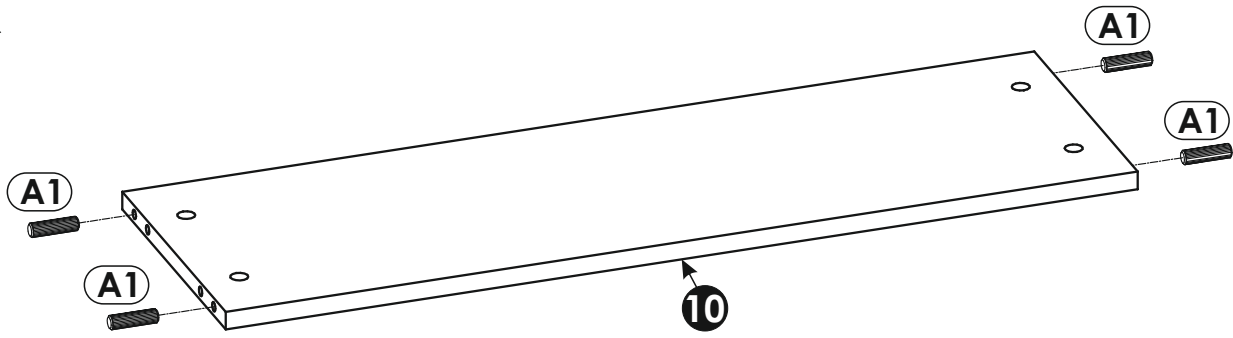


8 ▶

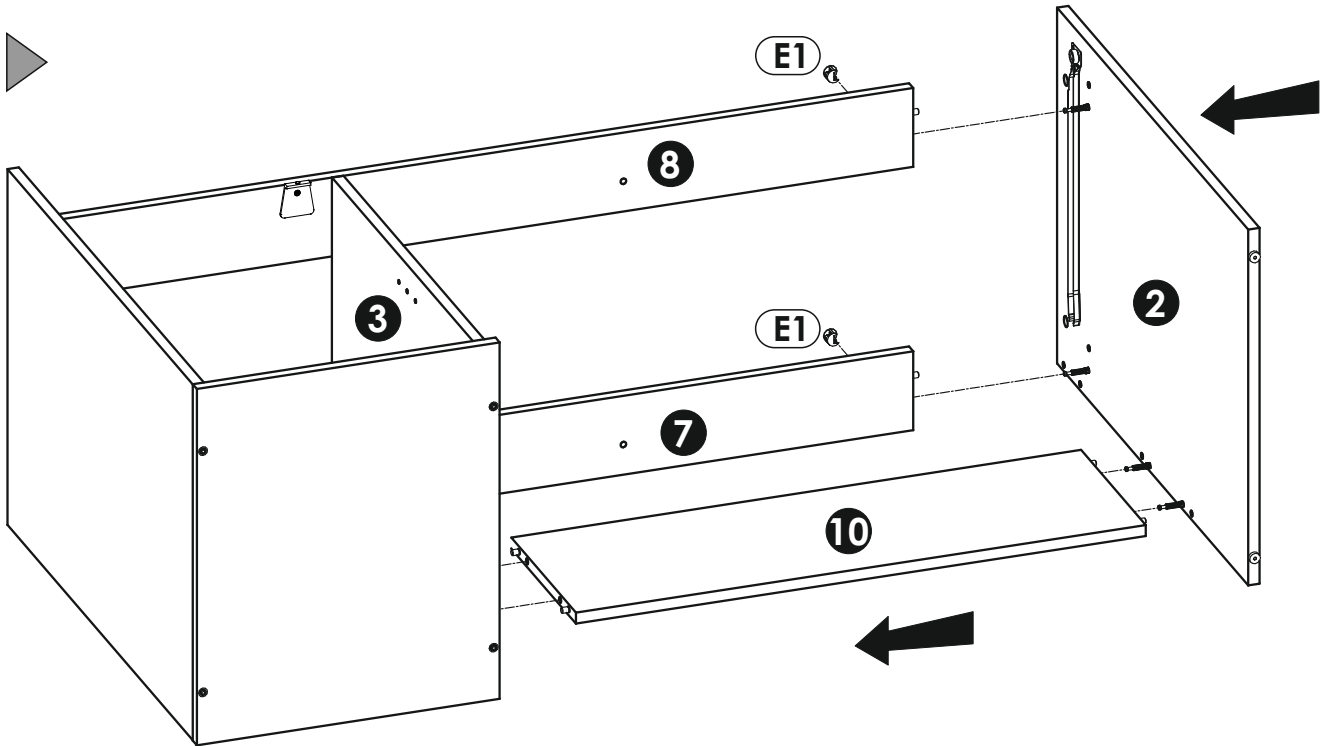




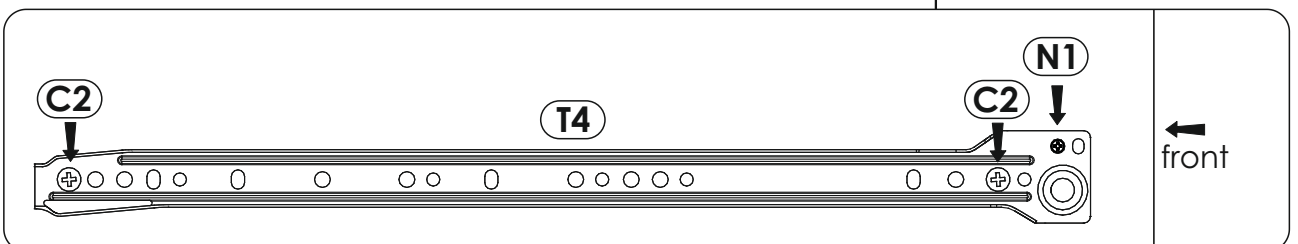
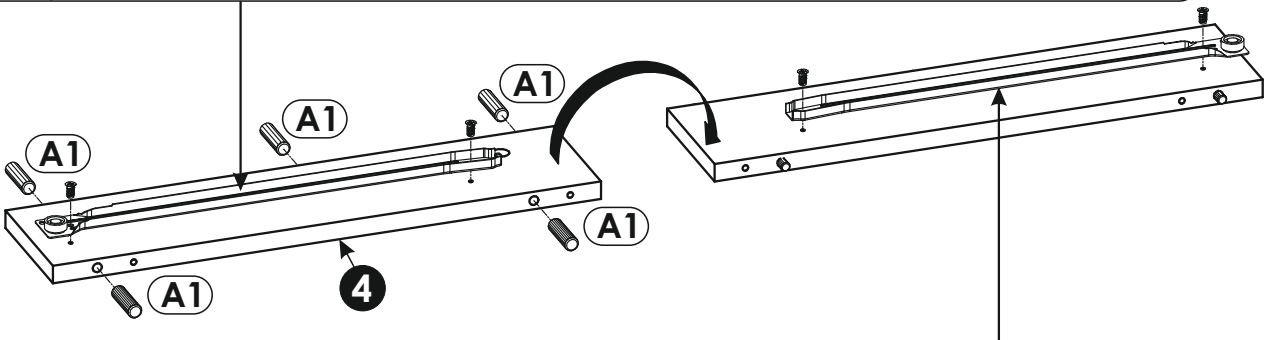
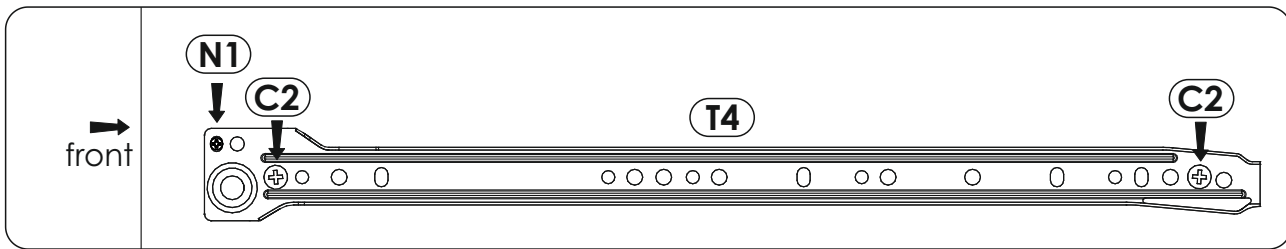
9 ▶



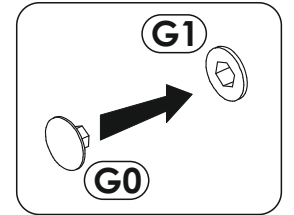
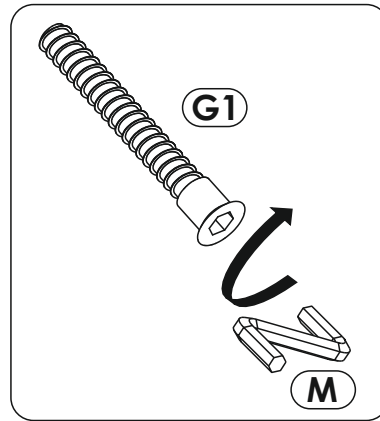
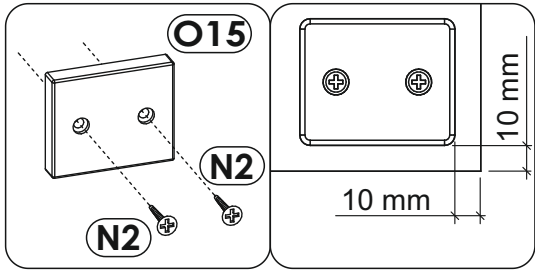
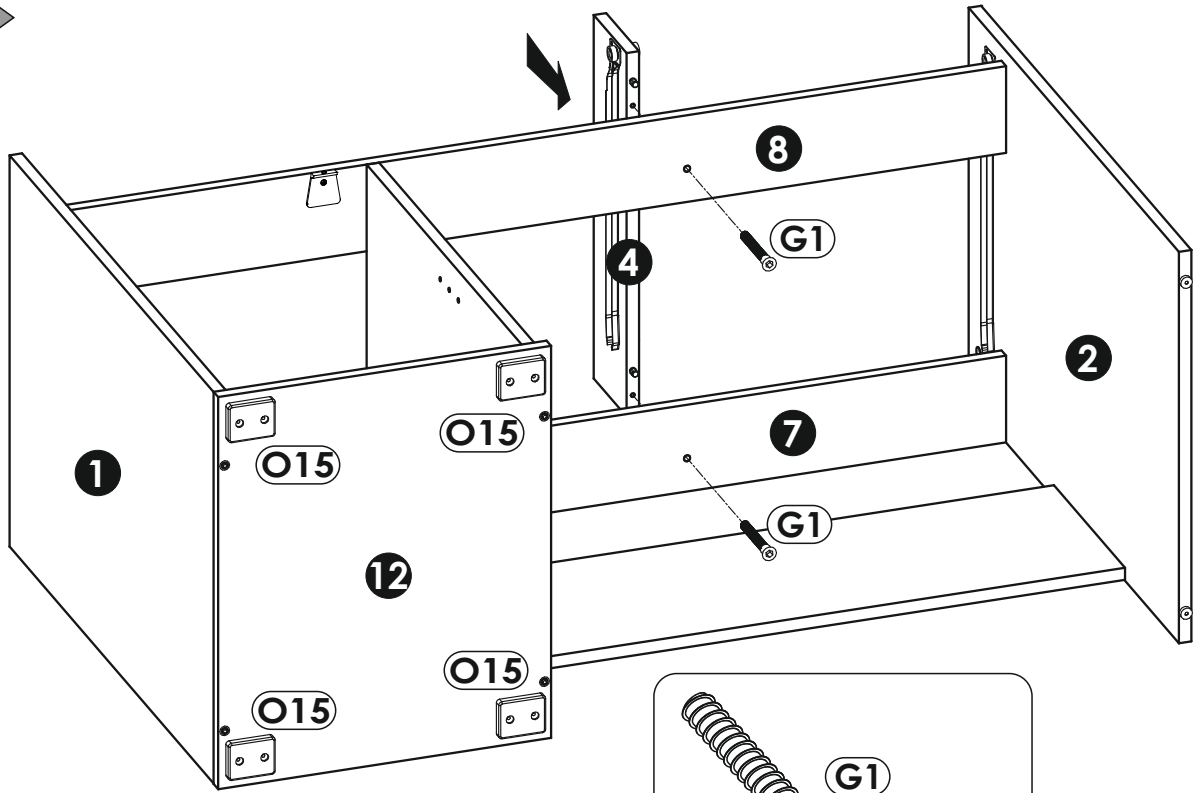
10 ▶



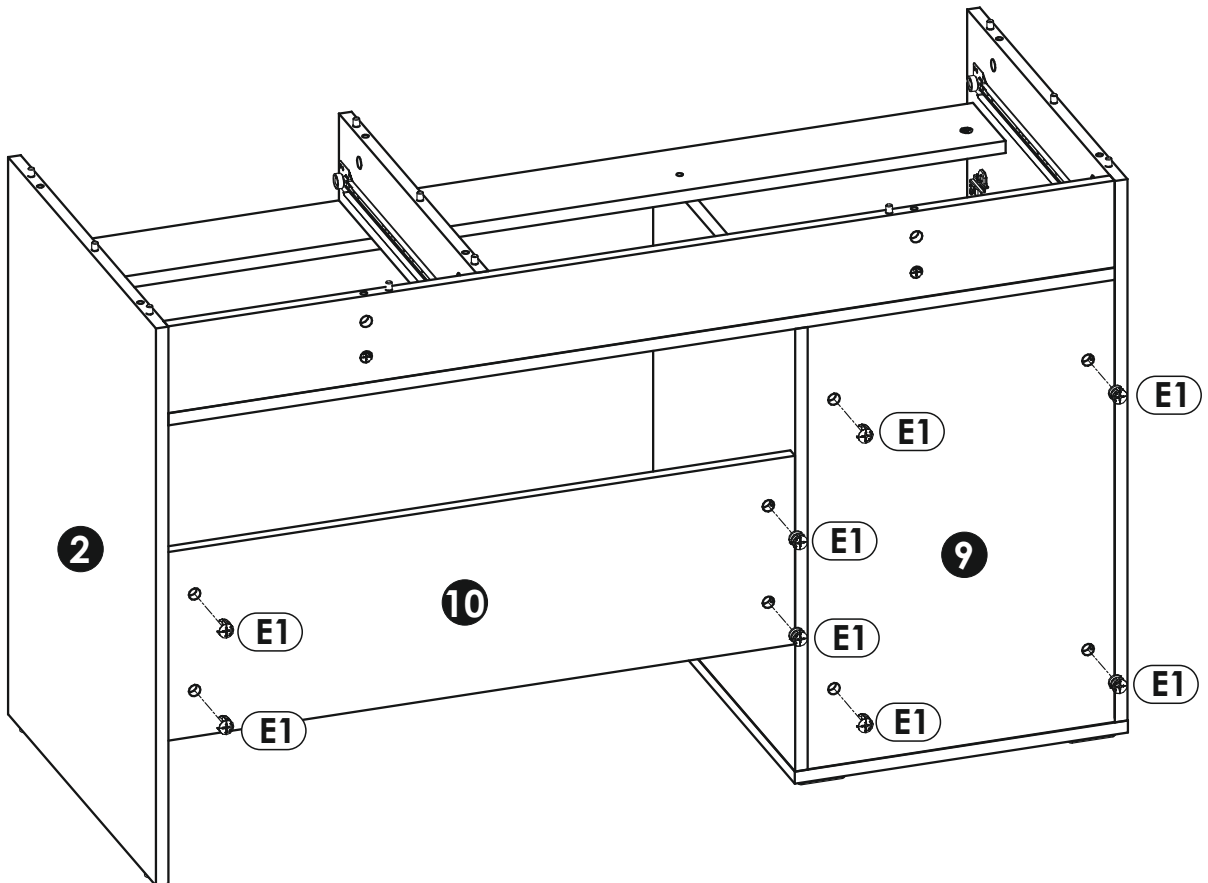
11 ▶



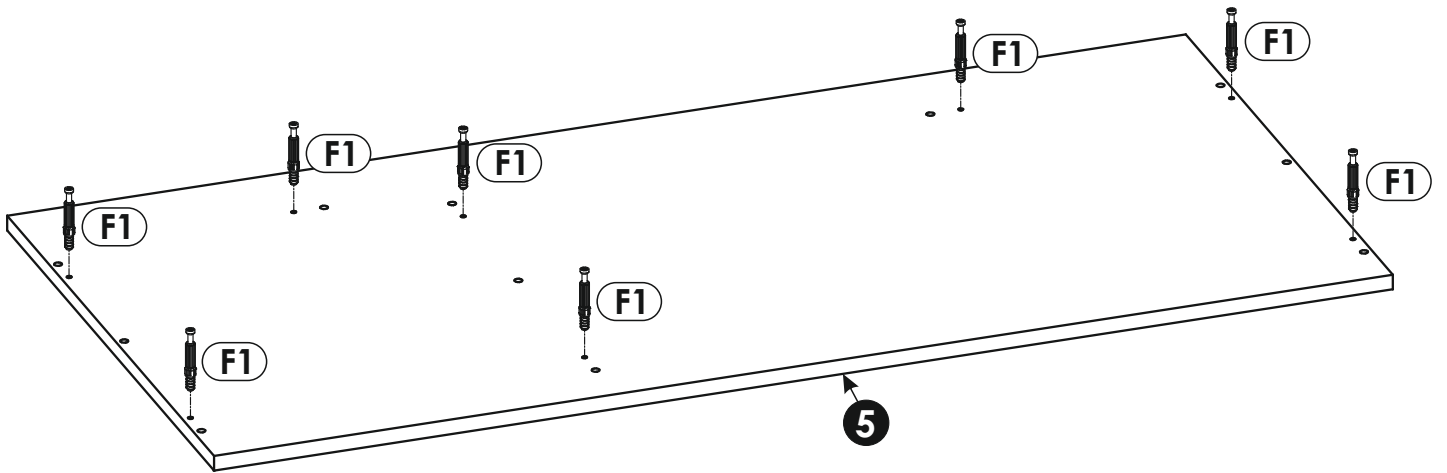
12▶



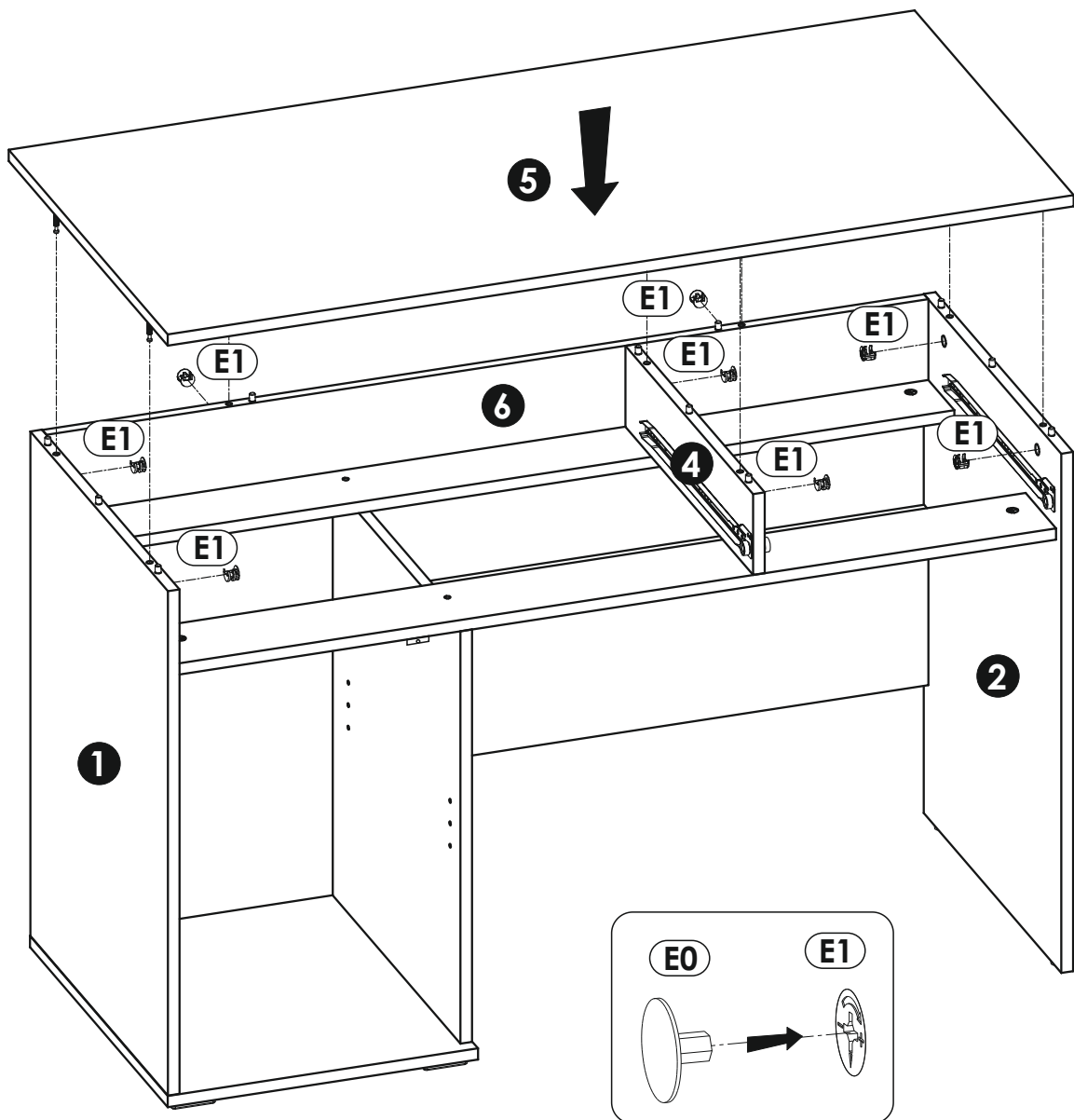
13▶



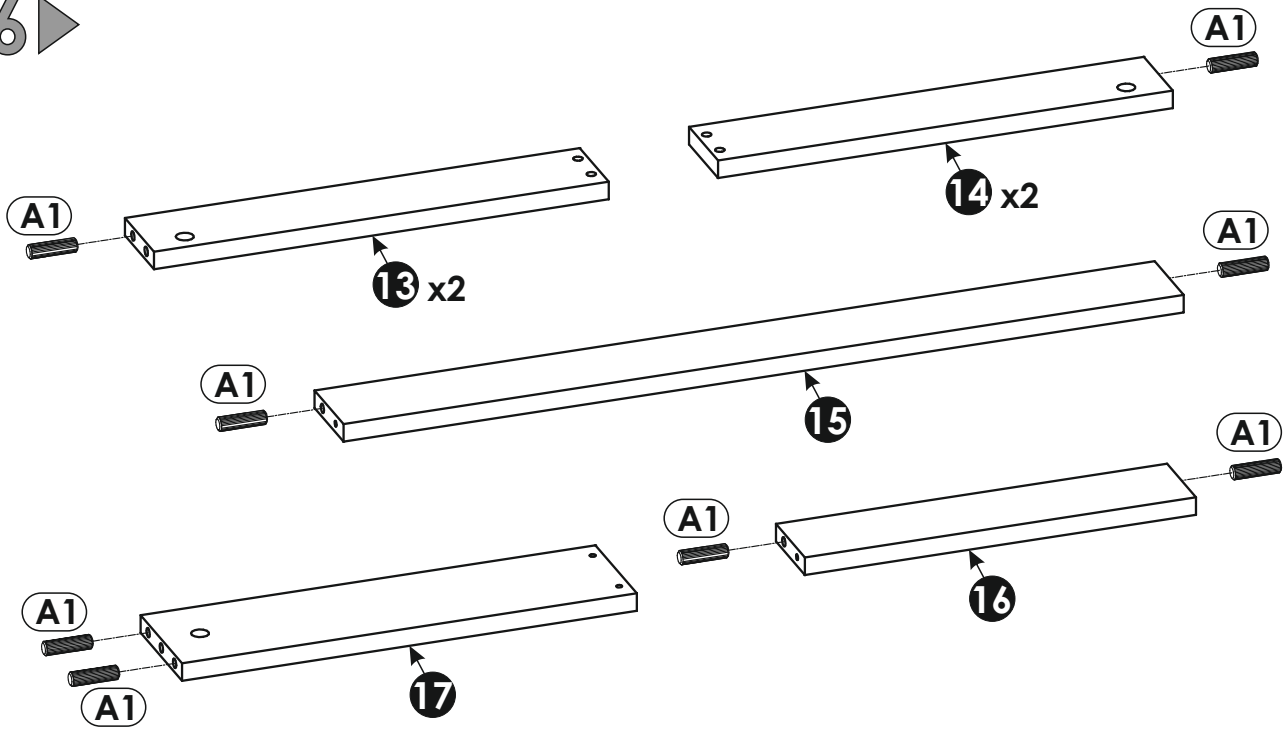
14▶



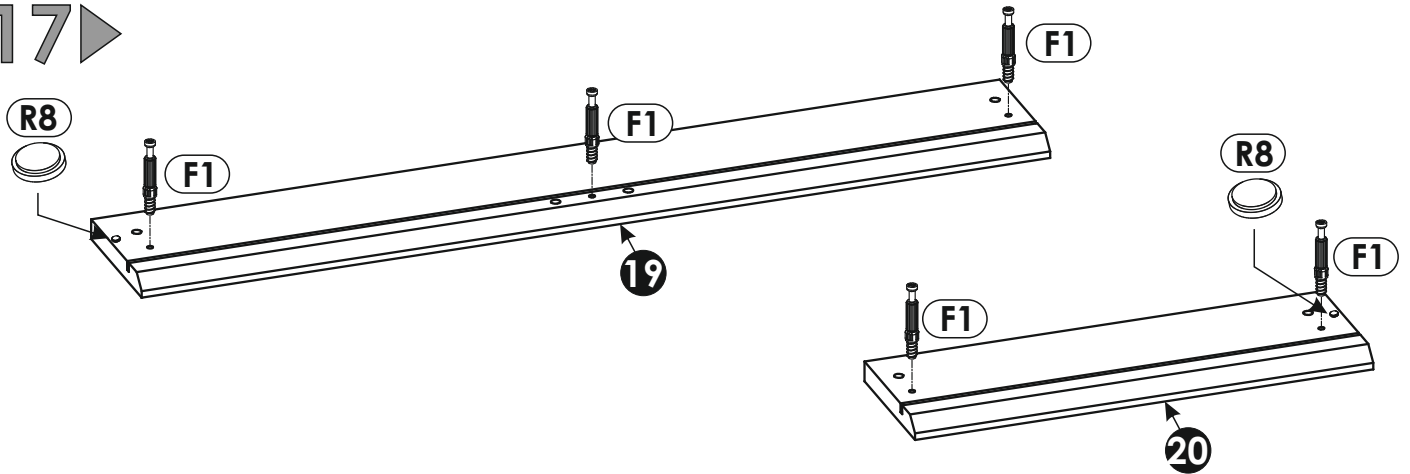
15▶



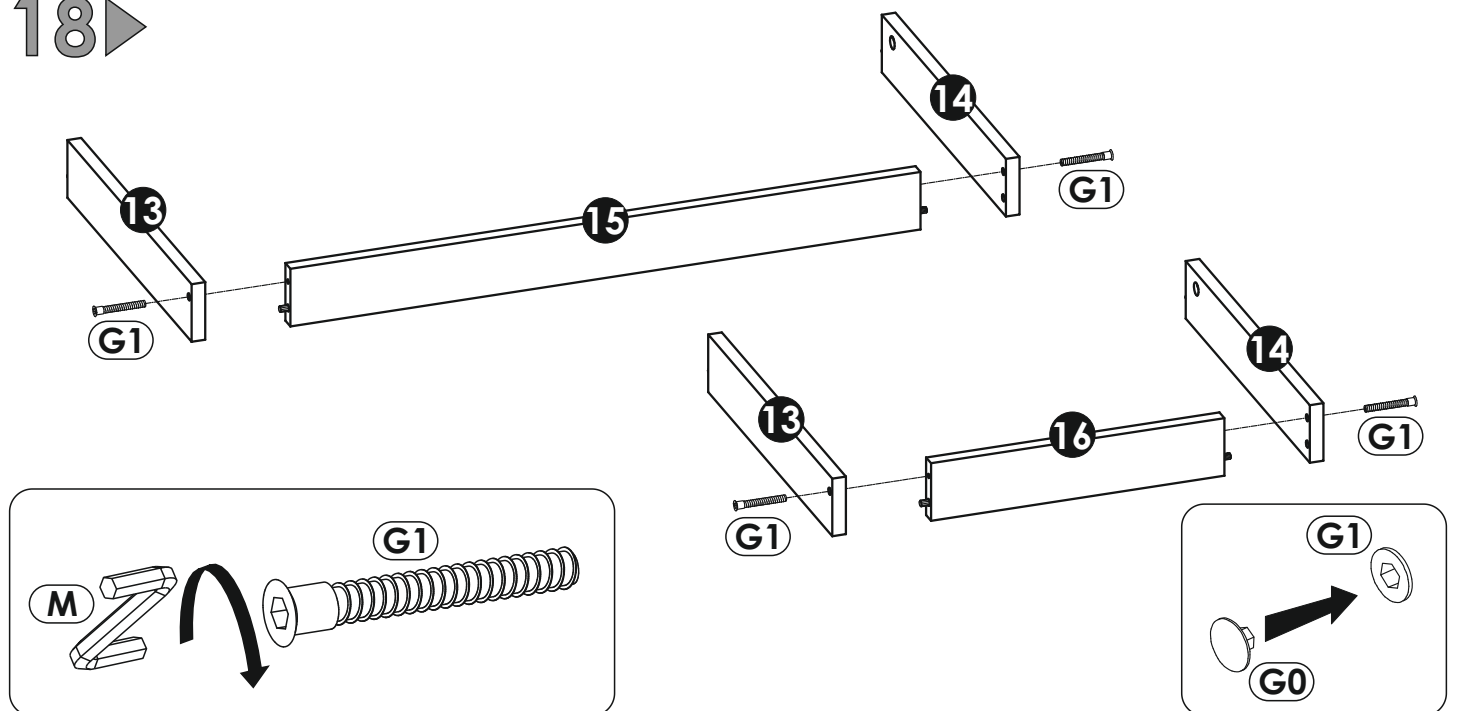
16▶



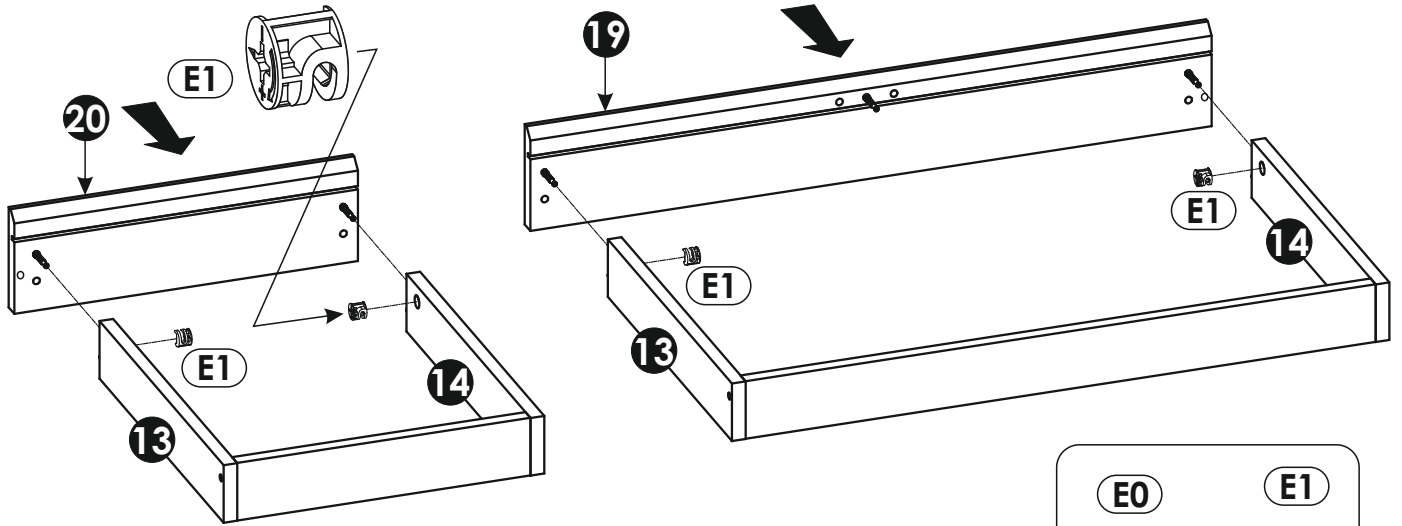
17▶



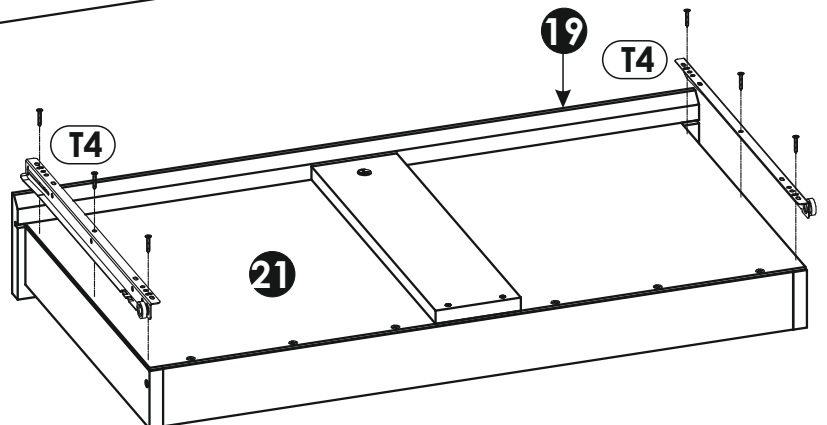
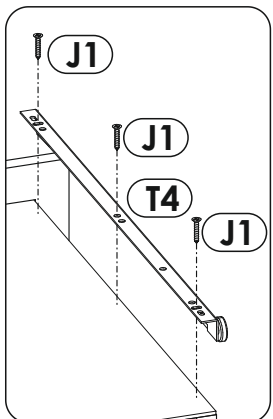
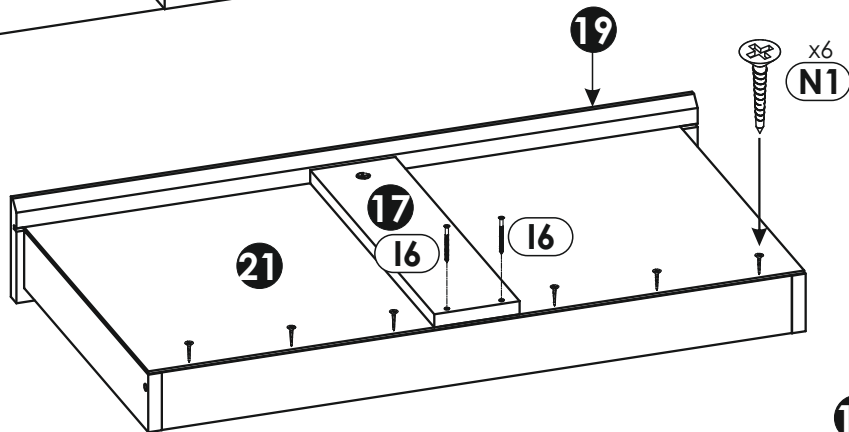
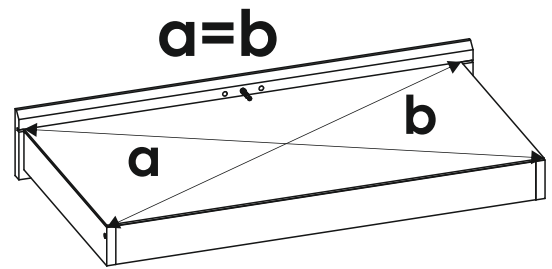
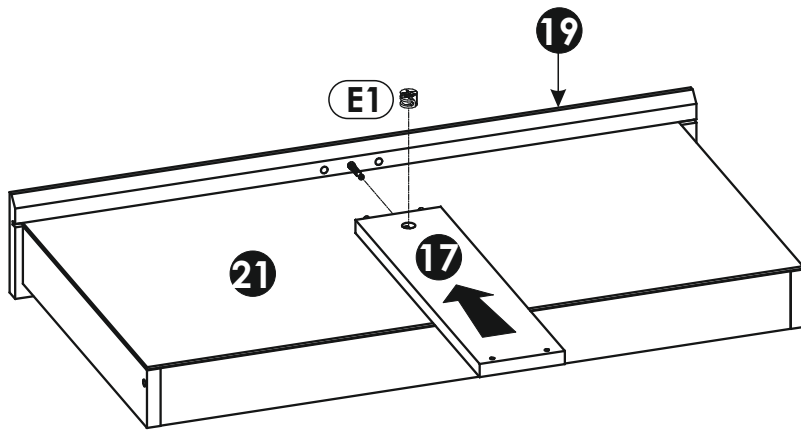
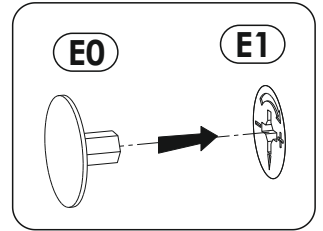
18▶



19▶

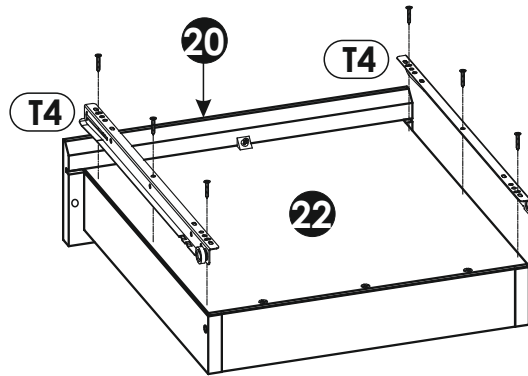
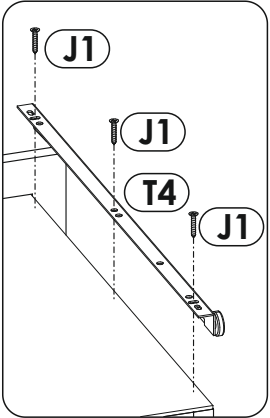
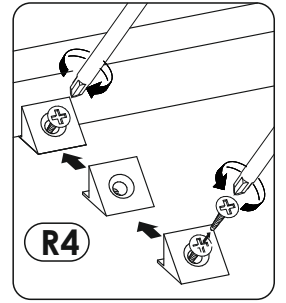
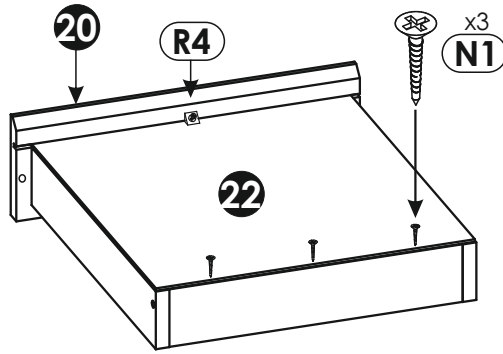
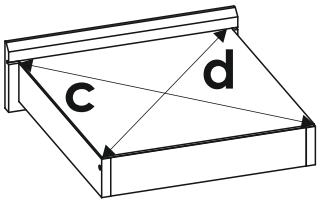


20▶

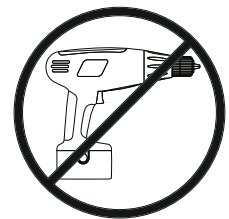
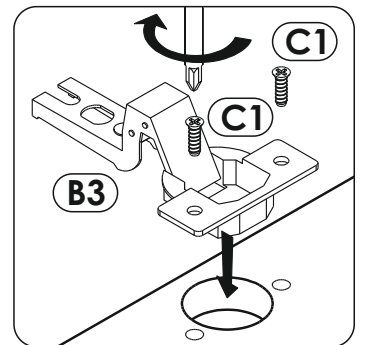
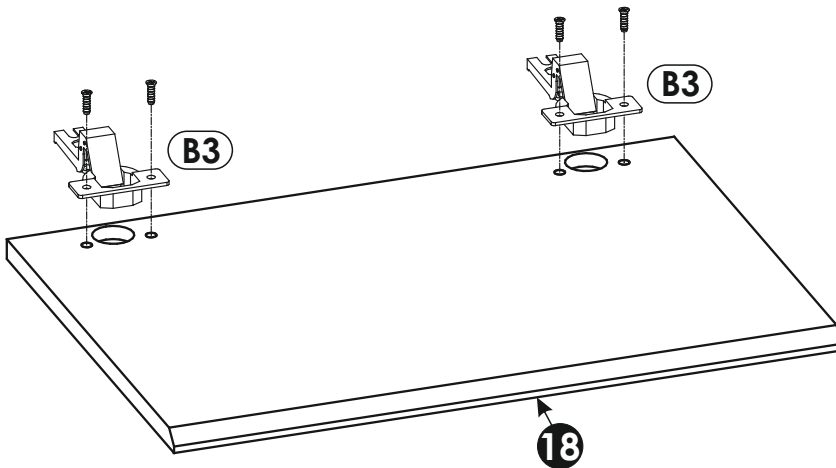


21▶

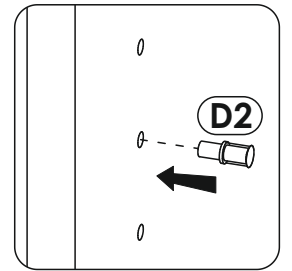
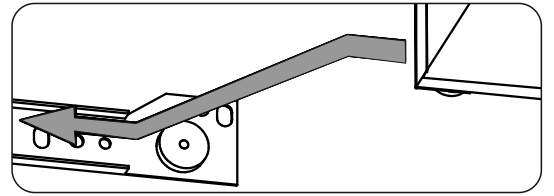
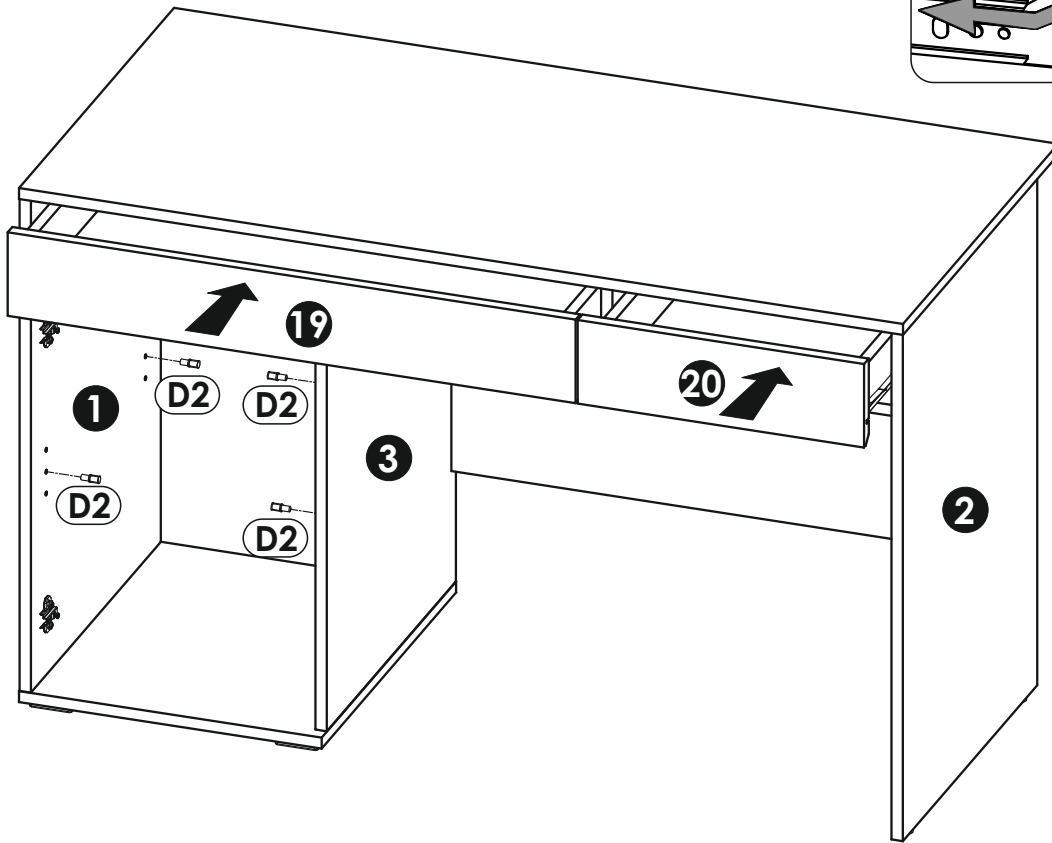
c=d



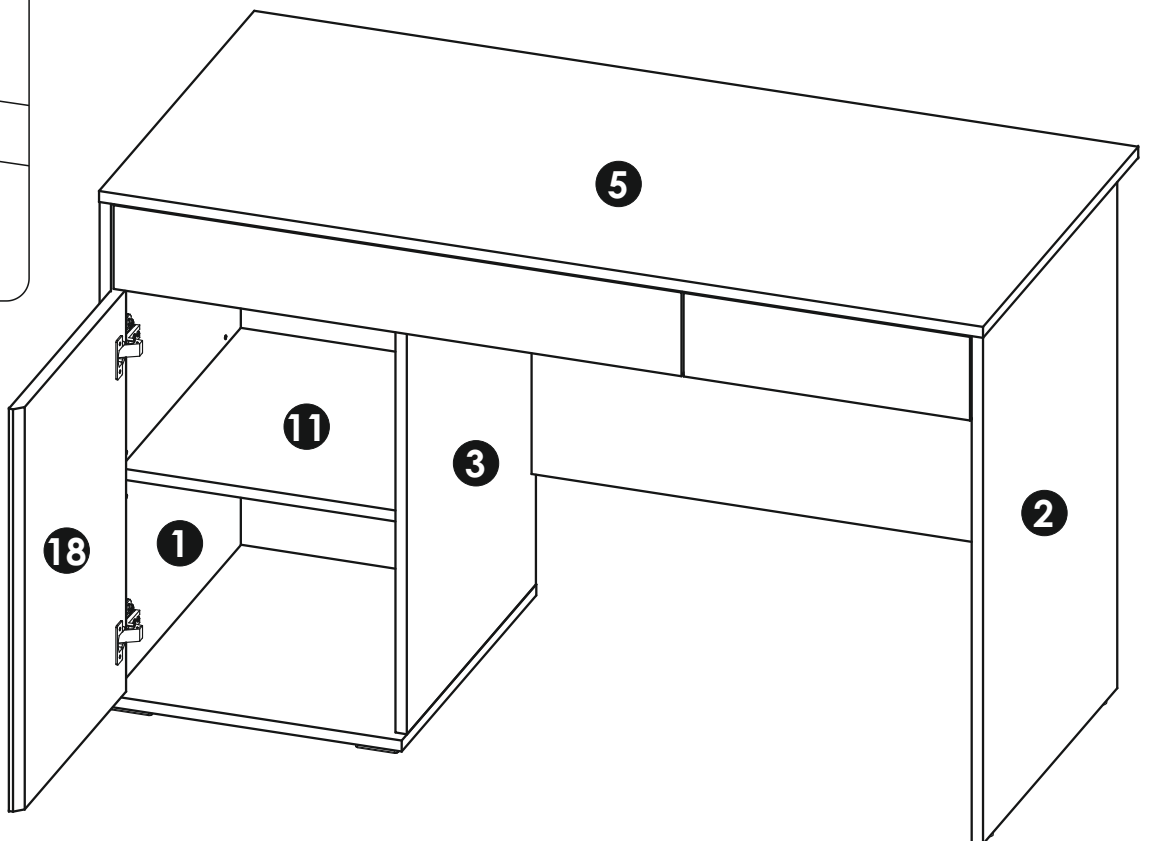
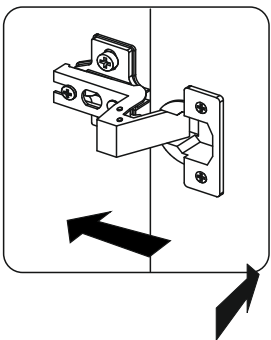
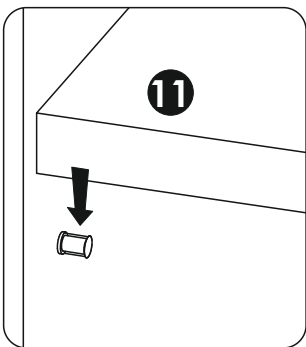
22▶

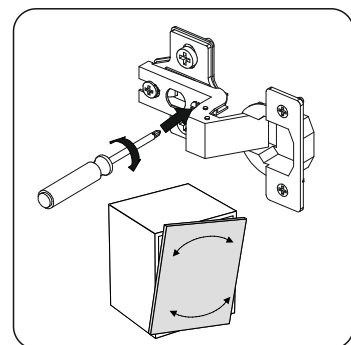
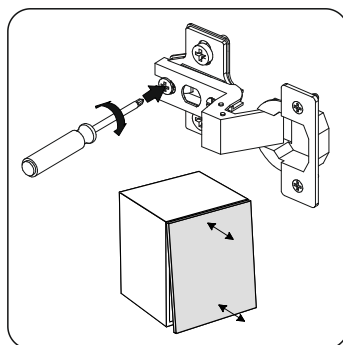
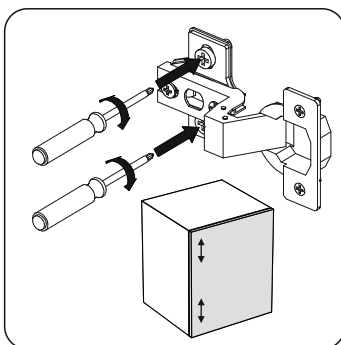
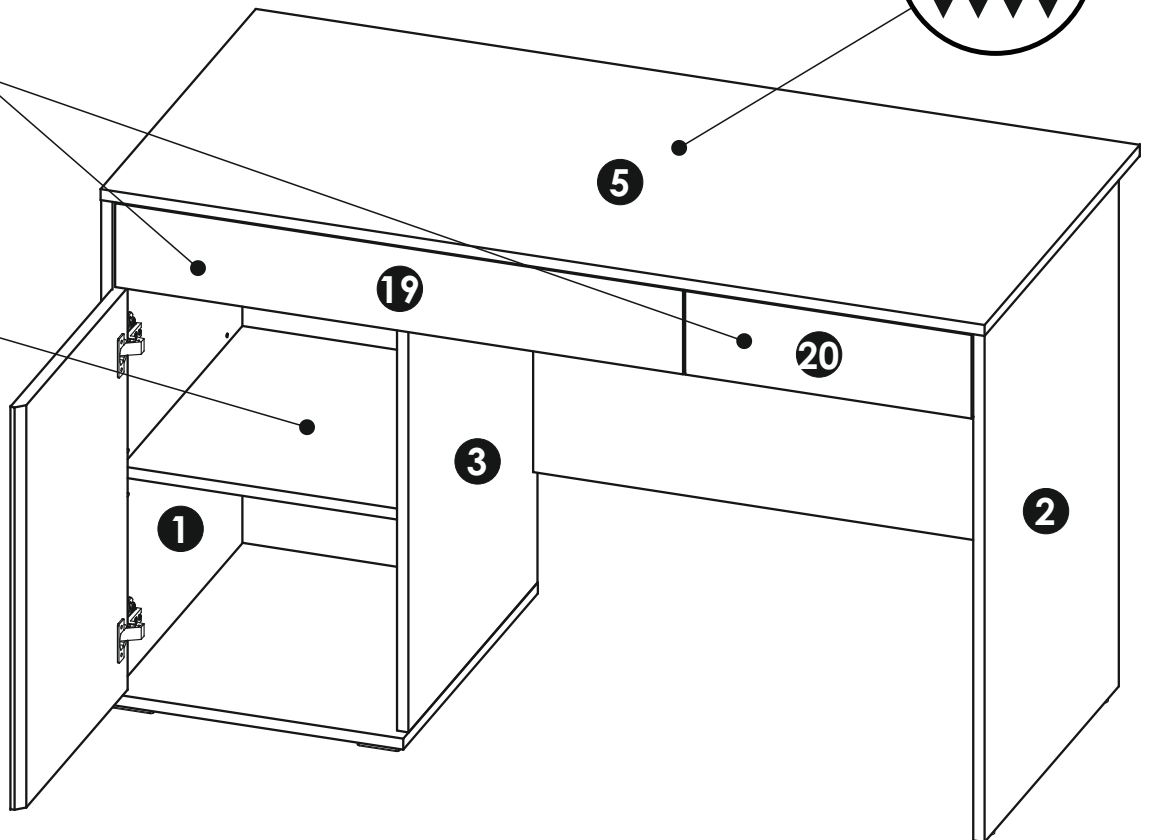


23 ▶

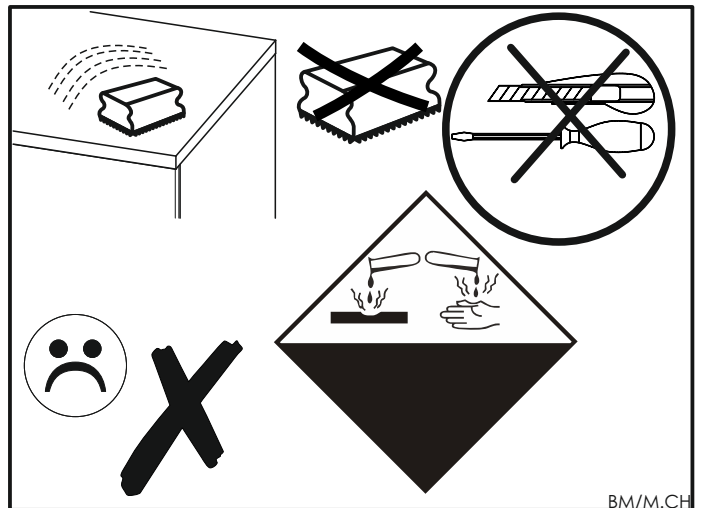
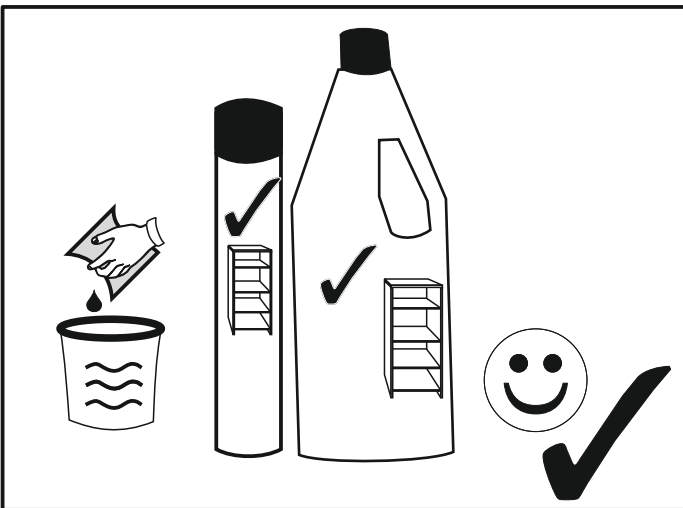
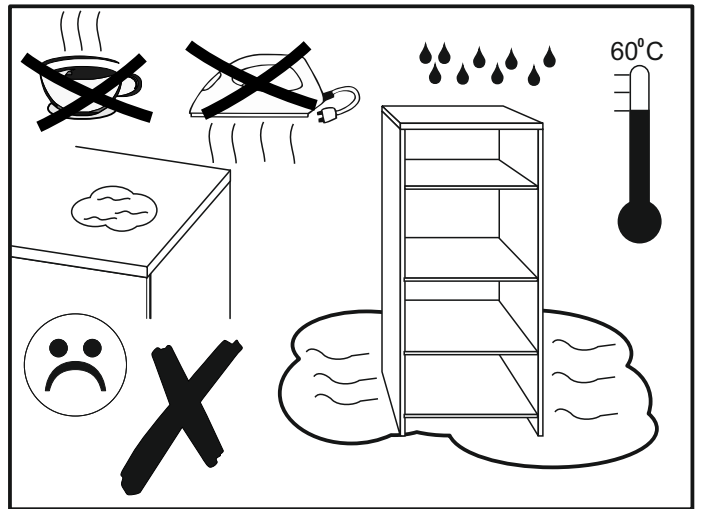
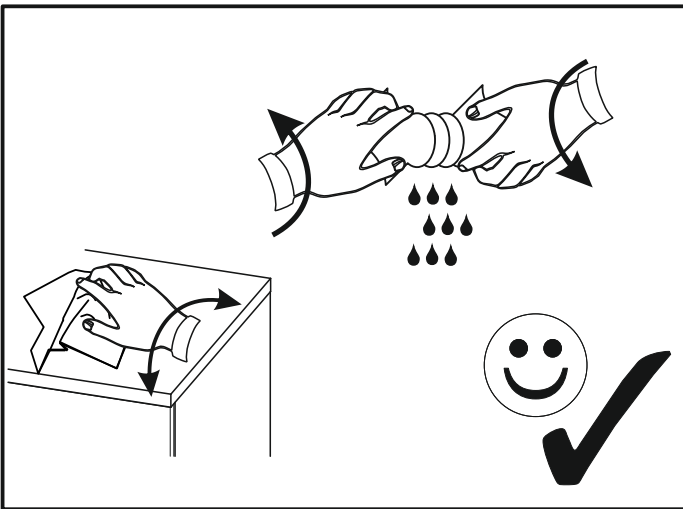
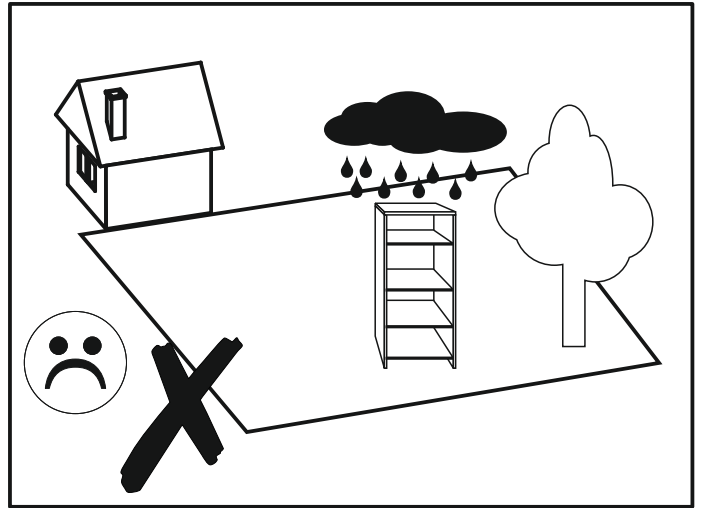
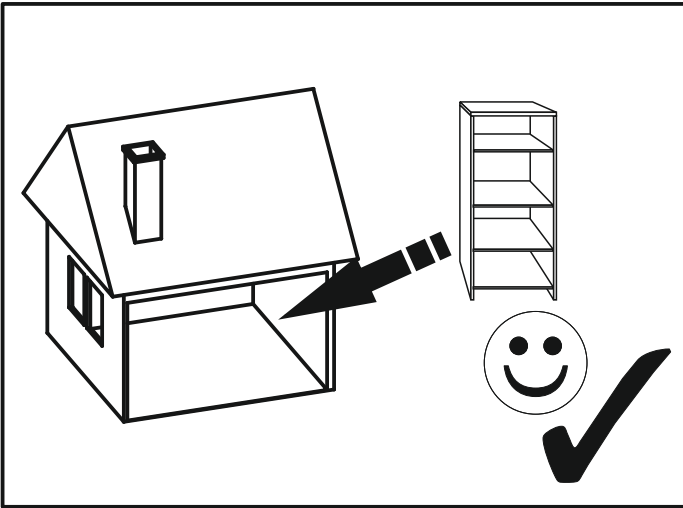


24 ▶









BM/M.CH